

Technogym Skillmill

Assembly Manual



Technogym Skillmill Assembly Directions
USE This Assembly Version when unit is 4 Pieces



The Wellness Company

7. COMPONENT DISASSEMBLY/REASSEMBLY AND PRODUCT CHANGES



ATTENTION: for the details, see the video “Disassembly instructions - Skillmill” available on the e-learning platform.



The disassembly instructions refer to the European version of Skillmill.



Before beginning to disassemble the parts, disconnect the equipment from the power supply.

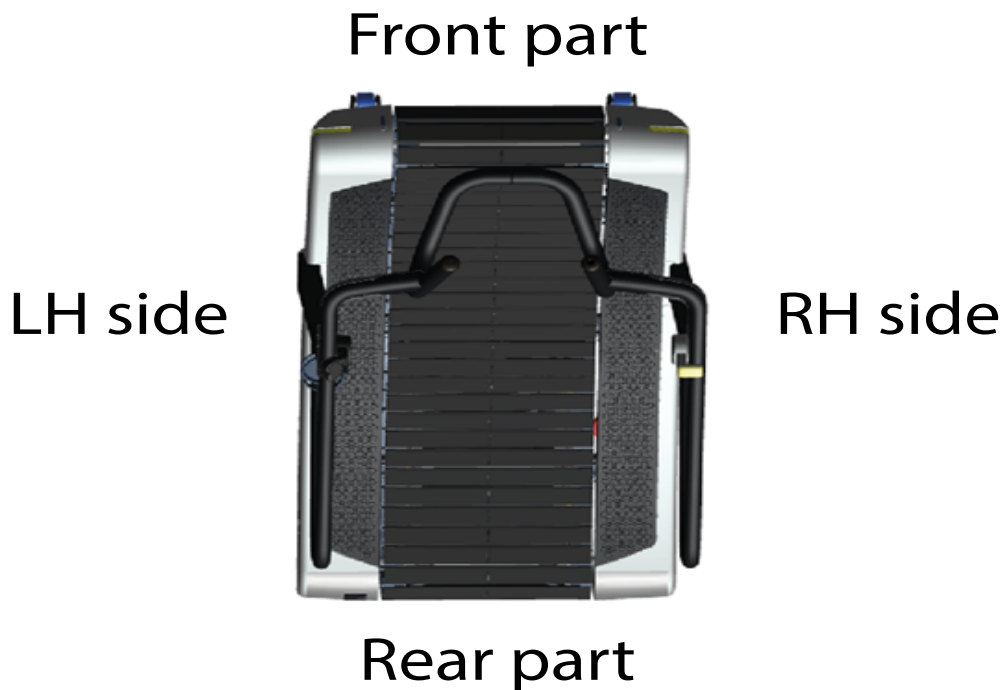
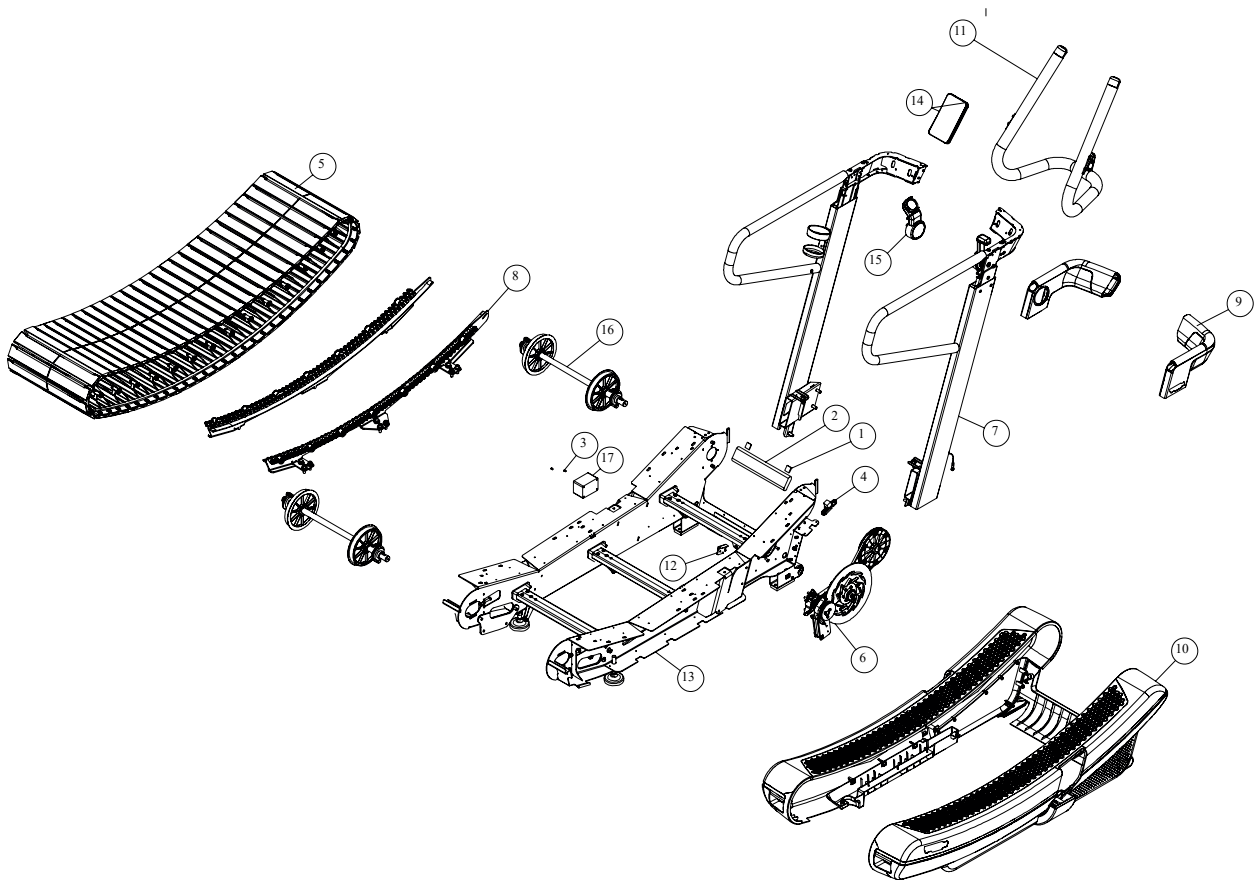


Figure 55 - Equipment reference



Pos	Code		Technical Specifications	C	N	Q.ty
1	S0K001139AA	VELCRO	3M DUAL LOCK SJ3550 (25x25)	3		2
2	S0WR01167AC	BATTERY	Console Skillmill	3		1
3	S0Z000826AA	SCREW	4x8 Zn U8112 (Ph)	3		2
4		SPEED SENSOR	See table: SH0005583	9		1
5		TREAD BELT	See table: H0010698	9		1
6		BRAKE	See table: H0010724_BATTERIA-H0012201	9		1
7		UPRIGHT	See table: H0010744	9		1
8		ROLLER CONVEYOR	See table: H0010780	9		1
9		UPPER CASING	See table: H0010997	9		1
10		LOWER CASING	See table: H0011000	9		1
11		HANDLEBAR	See table: H0011161	9		1
12		SENSOR ANGLE	See table: H0011204	9		1
13		FRAME	See table: H0011714-10697	9		1
14	SW0008201AB	DISPLAY	Skillmill Console	1		1
15		SMARTPHONE SUPPORT	See table: H0011741-11200	9		1
16		ROLLER	See table: H0011862	9		1
17	ST0001156AB	LOW KIT	/	1	qa1	1

7.1 TOOLS

- *Medium-sized Phillips screwdriver*
- *Permanent marker*
- *Ratchet*
- *Cutting nippers*
- *Socket wrench - 8 mm, 10 mm and 17 mm*
- *Hexagonal adapter, 8 mm*
- *Pliers*
- *Hexagonal wrenches: 2.5 mm, 3 mm, 4 mm, 5 mm 6 mm, 8 mm*
- *Gauge*
- *Grip pliers*
- *Pliers for snap ring*
- *Open-end wrenches: 8 mm, 10 mm, 2 x 13 mm, 17 mm*
- *Rubber mallet*
- *Long articulated T-handle wrench, 8 mm*

7.2 DISASSEMBLING THE DISPLAY

1. Disconnect the power supply plug.
2. Remove the (interlocked) rear guard from the display.
3. Disconnect the two connectors.
4. Remove the 4 screws that fix the rear of the display to the plate.
5. Remove the display.
6. Remove the 2 screws that fix the display support guard to the plate.
7. Remove the display support guard.

7.3 DISASSEMBLING THE NFC BOARD

1. Remove the smartphone support on the left-hand side of the equipment, as detailed in the video "Disassembly instructions - Skillmill" available on the e-learning platform.
2. Disconnect the connector. It is now possible to remove the smartphone support from the equipment.
3. Remove the 5 screws on the rear of the smartphone support.
4. Remove the NFC board.

7.4 DISASSEMBLING THE CENTRAL HANDLEBAR

1. Remove the left hand guard, next to the handlebar.
2. Disconnect the two connectors.
3. Remove the screws fastening the handlebar (left side).



WARNING: leave a screw loosely attached, to support the handlebar.

4. Remove the right-hand guard, next to the handlebar.
5. Remove the screws fastening the handlebar (right side).
6. Remove the handlebar, also removing the screw that had just been loosened (left side).

7.5 DISASSEMBLING THE SIDE HANDLEBARS

1. Disassemble the central handlebar as described in paragraph [“7.4 Disassembling the central handlebar”](#).
2. Remove the upper angular side guard (the outer part of the equipment).
3. Remove the upper angular side guard (the inner part of the equipment). ATTENTION: there are a number of hidden screws to remove.
4. Remove the 2 upper screws from the side handlebar.
5. Loosen the grub screw on the lower part of the side handle.
6. Remove the side handlebar.



When the handlebar has been removed, recover the pawl.

7.6 DISASSEMBLING THE UPRIGHT

1. Disassemble the side handlebars as described in paragraph [“7.5 Disassembling the side handlebars”](#).
2. Remove the front tread belt footboard.



Mark the screws according to their size.

3. Remove the guard next to the upright, on the inner side of the equipment.
4. Remove the (interlocked) side covering from the lower part of the upright, on the outer side of the equipment.

5. Remove the guard located under the side covering.
6. Remove the front guard.
7. Remove the right-hand front side guard.
8. Disconnect the brake cable.
9. Remove the upright.

7.7 BRAKING SYSTEM

7.7.1 DISASSEMBLING THE BRAKE LEVER ASSEMBLY

1. Remove the circular guard from the brake lever assembly.
2. Remove the guard located under the circular guard of the brake lever assembly.
3. Remove the brake lever.
4. Remove the guard.
5. Remove the brake lever assembly components and take the brake cable out of its seat.

7.7.2 DISASSEMBLING THE BRAKE CABLE

1. Disassemble the braking system as explained in paragraph [“7.7.1 disassembling the brake lever assembly”](#).



Before replacing the brake cable: make sure the stop screw is adjusted correctly and that its position does not change when the cable is replaced. To be safe, mark the position of the stop screw as a reference. The stop screw is positioned correctly if the screw touches the frame slightly when the lever is pulled back completely. This means that the screw is resting up against the frame, with less than one 180° degree turn to fully tighten it.



Before replacing the brake cable, check and mark the cable path. Take the two references as shown below.