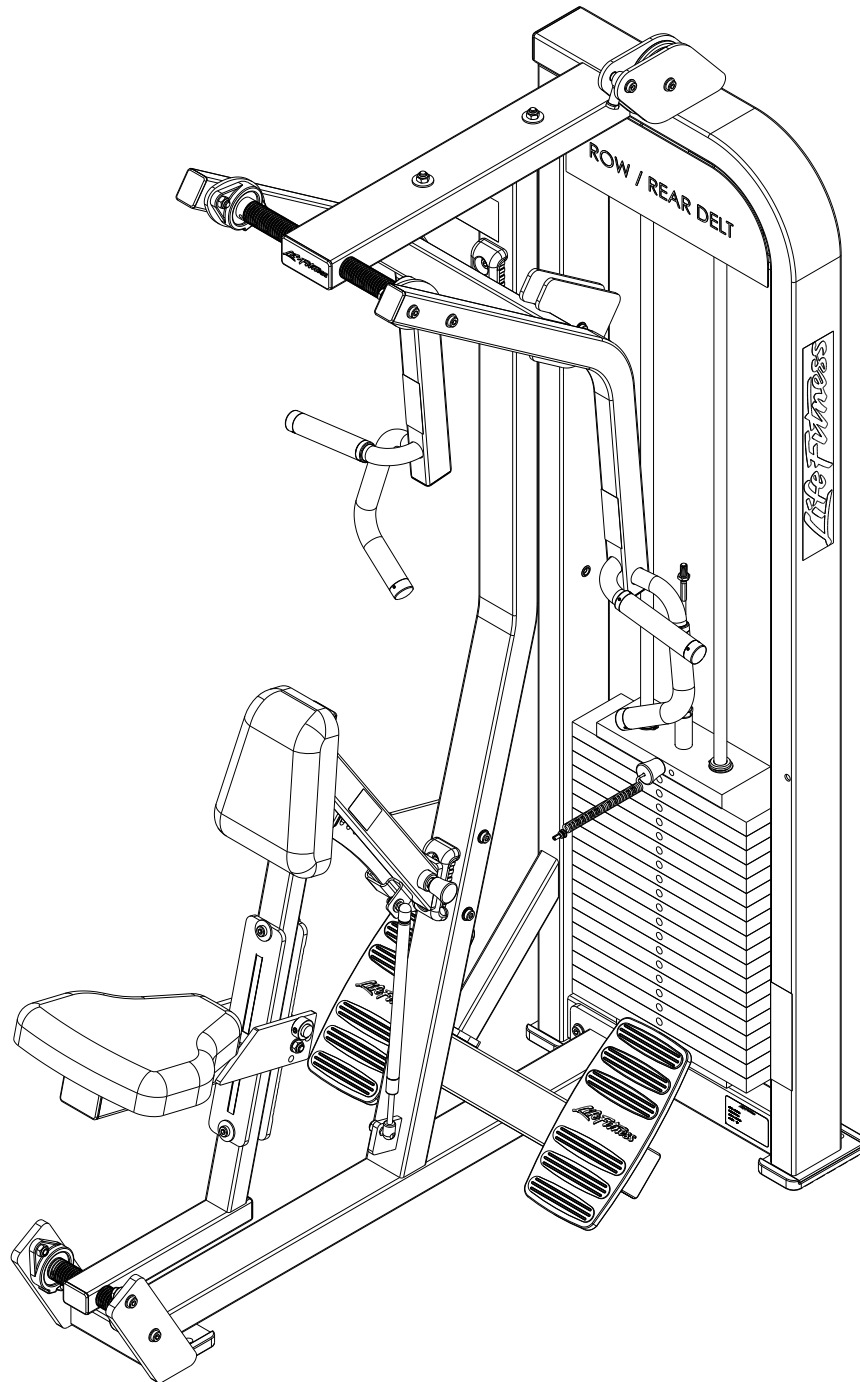




PRO 2 SERIES
PSRW SEATED ROW



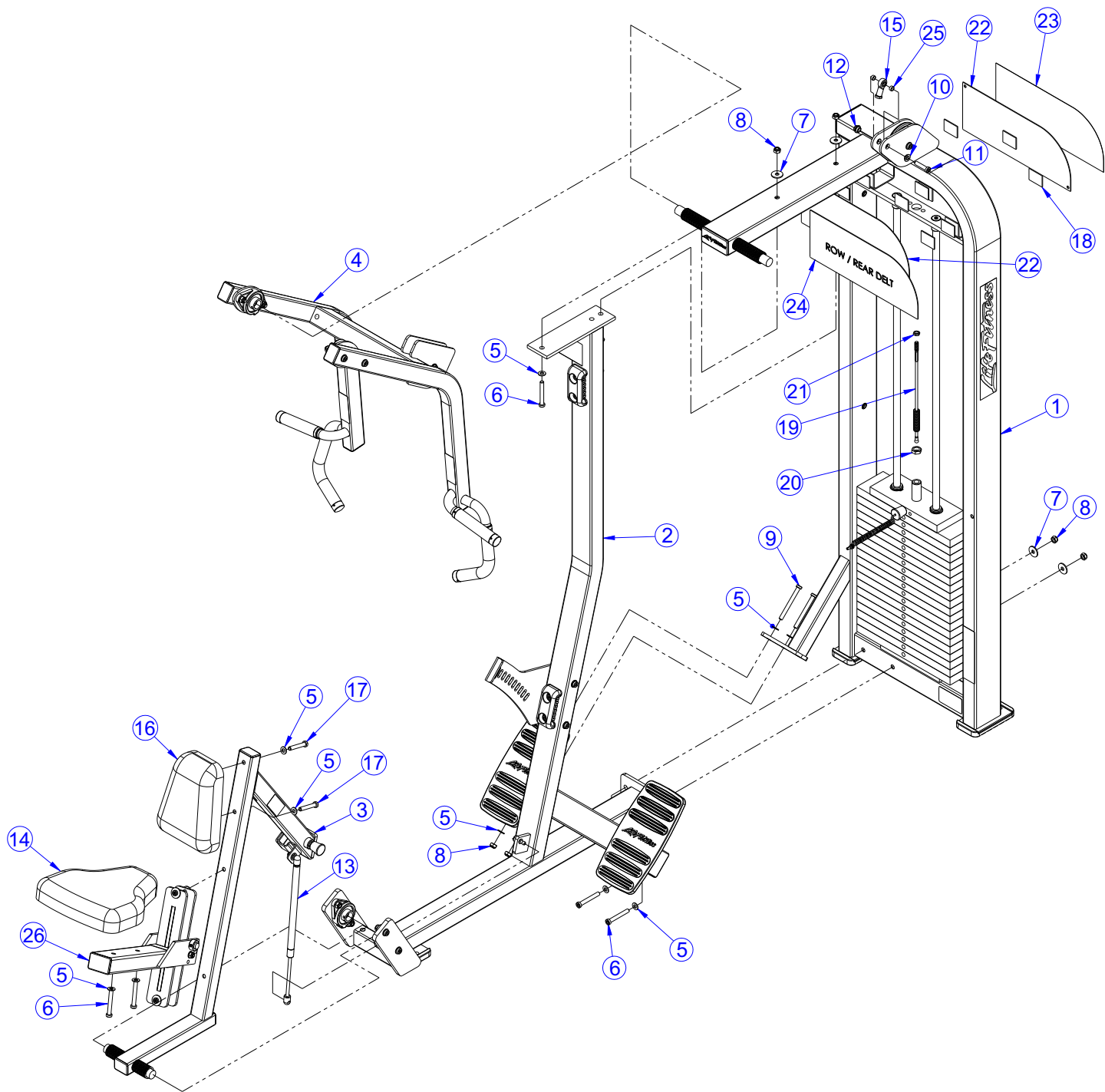
Customer Support Services
PARTS MANUAL

8/11/2022

PSRW SEATED ROW CONTENTS

	Page
COMPONENT ASSEMBLY	3
COMPONENT ASSEMBLY LEGEND	4
MAIN FRAME ASSEMBLY	5
MAIN FRAME ASSEMBLY LEGEND	6
STACK FRAME ASSEMBLY	7
STACK FRAME ASSEMBLY LEGEND	8
WORK ARM ASSEMBLY	9
WORK ARM ASSEMBLY LEGEND	10
SEAT FRAME ASSEMBLY	11
90° SEAT ASSEMBLY	12
90° SEAT ASSEMBLY LEGEND	13
ADD-ON INCREMENT WEIGHT ASSEMBLY	14
WEIGHT STACK (300LB)	15
OPTIONAL REAR SHROUD KIT	16

PSRW SEATED ROW COMPONENT ASSEMBLY

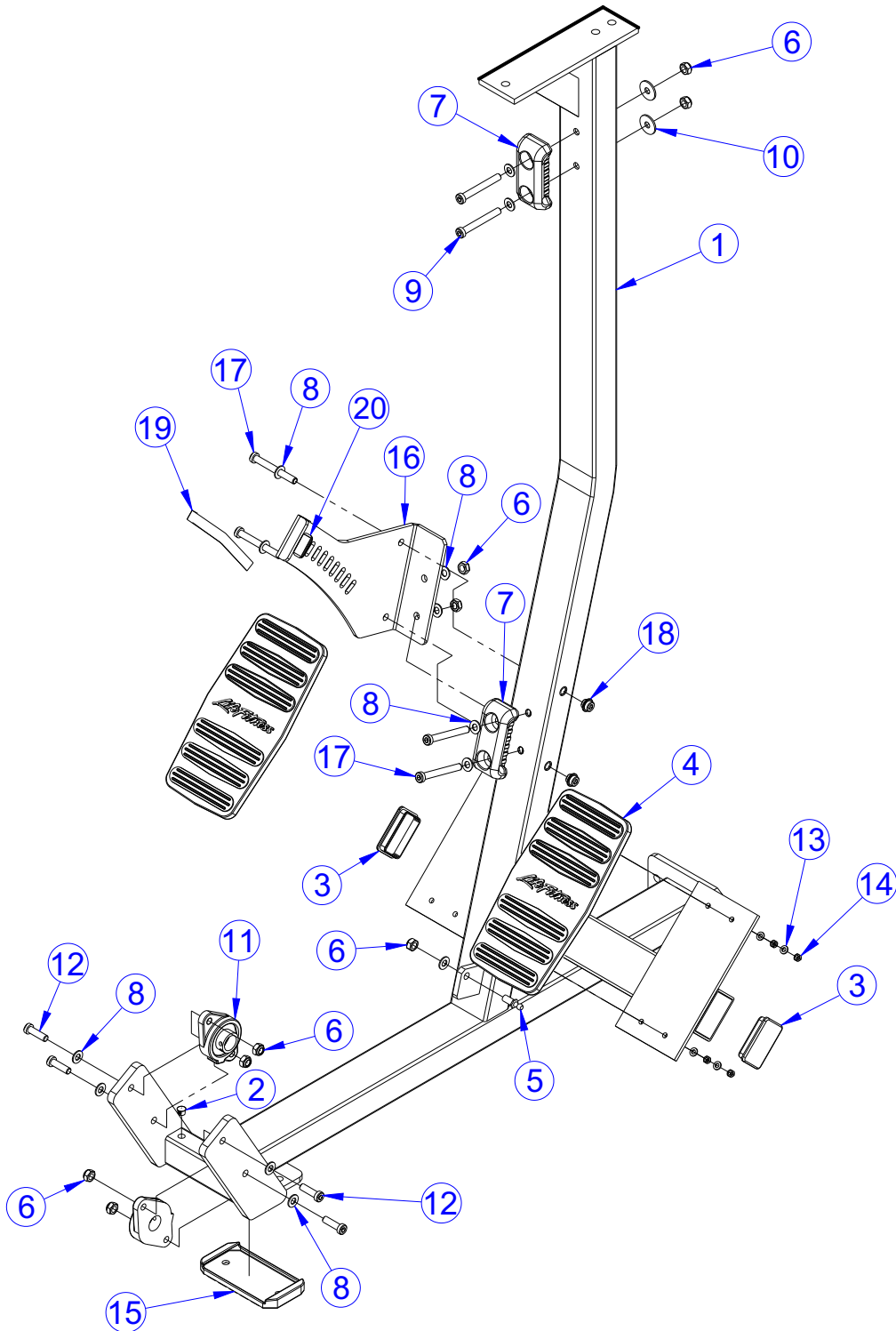


SEE PAGE 4 FOR LEGEND

PSRW SEATED ROW COMPONENT ASSEMBLY LEGEND

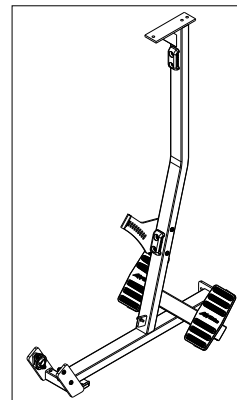
ITEM NO.	QTY.	PART NO.	DESCRIPTION
1	1	7418701	ASSY, PSRW STACK FRAME
2	1	7418801	ASSY, PSRW MAIN FRAME
3	1	7418901	ASSY, PSRW SEAT FRAME
4	1	7419001	ASSY, PSRW WORKARM
5	12	3236601	WASHER, 3/8 SAE SS
6	6	3236212	SCREW, M10 X1.5 75MM
7	4	3236602	WASHER, 3/8 ID X 1.25 OD SS
8	6	3236801	NUT, M10 HEX NYLOCK SS
9	2	3236217	SCREW, M10 X1.5 100MM
10	1	7348101	WASHER, SPACER
11	1	3236206	SCREW, M10 X1.5 45MM
12	1	7335401	NUT, M10 X 1.5 SOCKET HEAD
13	1	3235701	SPRING, GAS 150N
14	1	73519xx	PAD, SADDLE
15	1	3237901	ROD END, METRIC FEMALE
16	1	73994xx	PAD, CHEST 10 X 7-5/8
17	2	3236209	SCREW, M10 X1.5 60MM
18	12	7544202	PAD, DUAL LOCK 250 1.5" X 2.0"
19	1	7423609	CABLE, PSRW
20	1	3236902	NUT, M16 X 2 HEX JAM SS
21	1	3236901	NUT, M10 X 1.5 JAM
22	2	9169401	COVER, STACK-PRO2 STD
23	1	7490801	LABEL, PSRW LOGO PANEL
24	1	7489501	LABEL, PSRW PLACARD
25	2	7489402	BSHNG, .500 OD X .402 ID
26	1	7401801	ASSY, 90 DEG SEAT

PSRW SEATED ROW MAIN FRAME ASSEMBLY



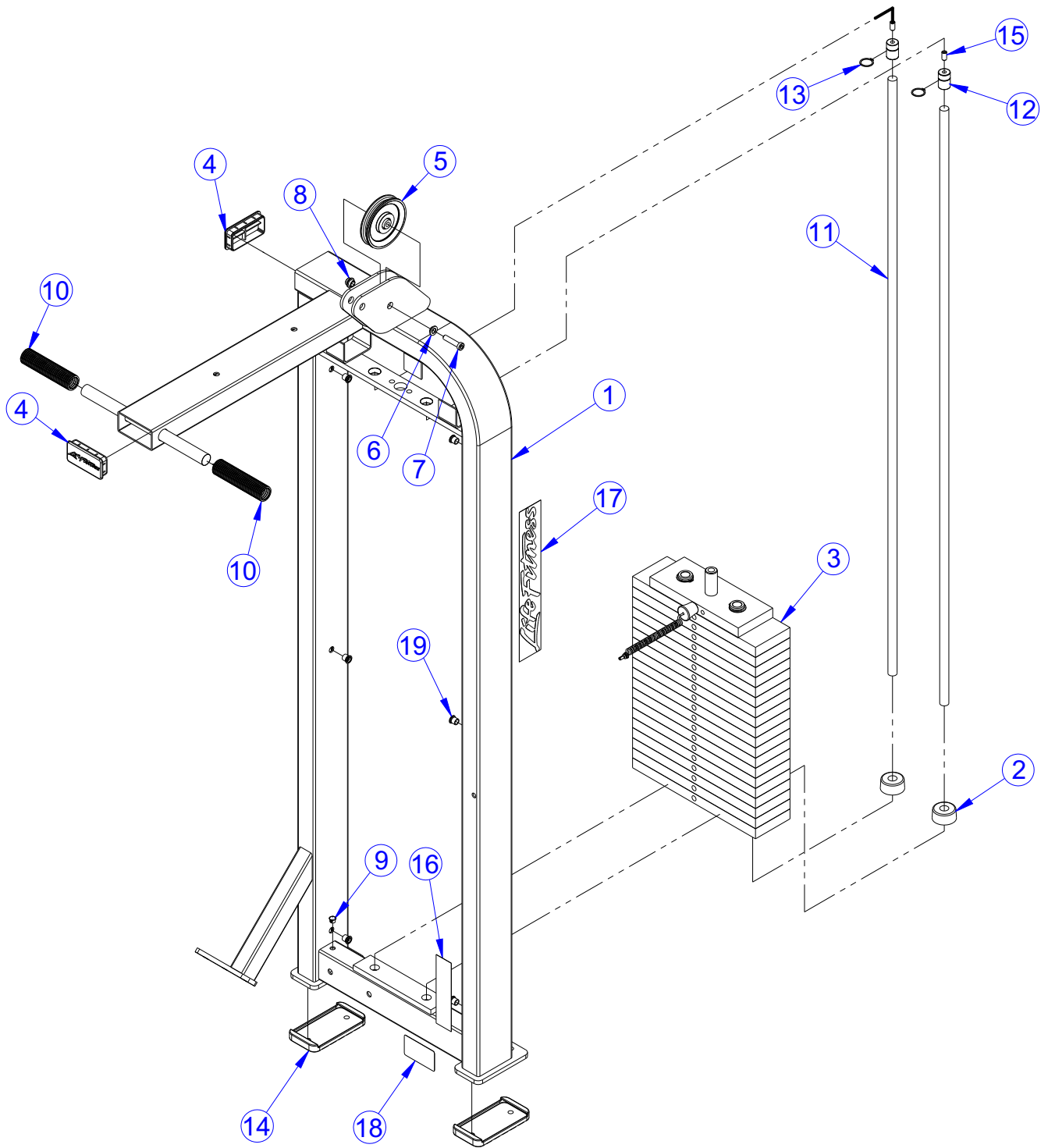
SEE PAGE 6 FOR LEGEND

PSRW SEATED ROW MAIN FRAME ASSEMBLY LEGEND



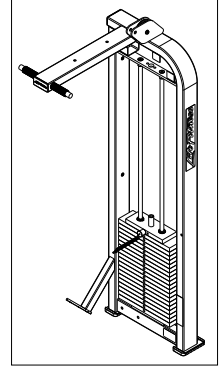
ITEM NO.	QTY.	PART NO.	DESCRIPTION
1	1	7416301	WLDMT, PSRW MAIN FRAME
2	2	3237401	PLUG, 7/16" HOLE
3	2	7352301	CAP, END 2 X 3
4	2	7424101	FOOTPLATE, PRO2
5	1	7414301	STUD, M10 BALL END M10 X 1.5
6	9	3236801	NUT, M10 HEX NYLOCK SS
7	2	7352001	BUMPER, 2-1/8 X 4-5/8
8	13	3236601	WASHER, 3/8 SAE SS
9	2	3236213	SCREW, M10 X1.5 80MM
10	2	3236602	WASHER, 3/8 ID X 1.25 OD SS
11	2	3237701	ASSY, PILLOW BLOCK 4.88 X 2.75
12	4	3236204	SCREW, M10 X1.5 35MM
13	8	3241801	WASHER, FLAT 6MM SS
14	8	3236802	NUT, M6 HEX NYLOCK SS
15	1	MM-9	3 X 6 FLANGE RUBBER SLIPPER
16	1	7418601	BRKT, PSRW SEAT ADJ
17	4	3236214	SCREW, M10 X1.5 85MM
18	2	7335401	NUT, M10 X 1.5 SOCKET HEAD
19	1	7562301	LABEL, PSRW START POSITION
20	1	7570801	GUARD, PAINT 1.25"x.75"x.25"

PSRW SEATED ROW STACK FRAME ASSEMBLY



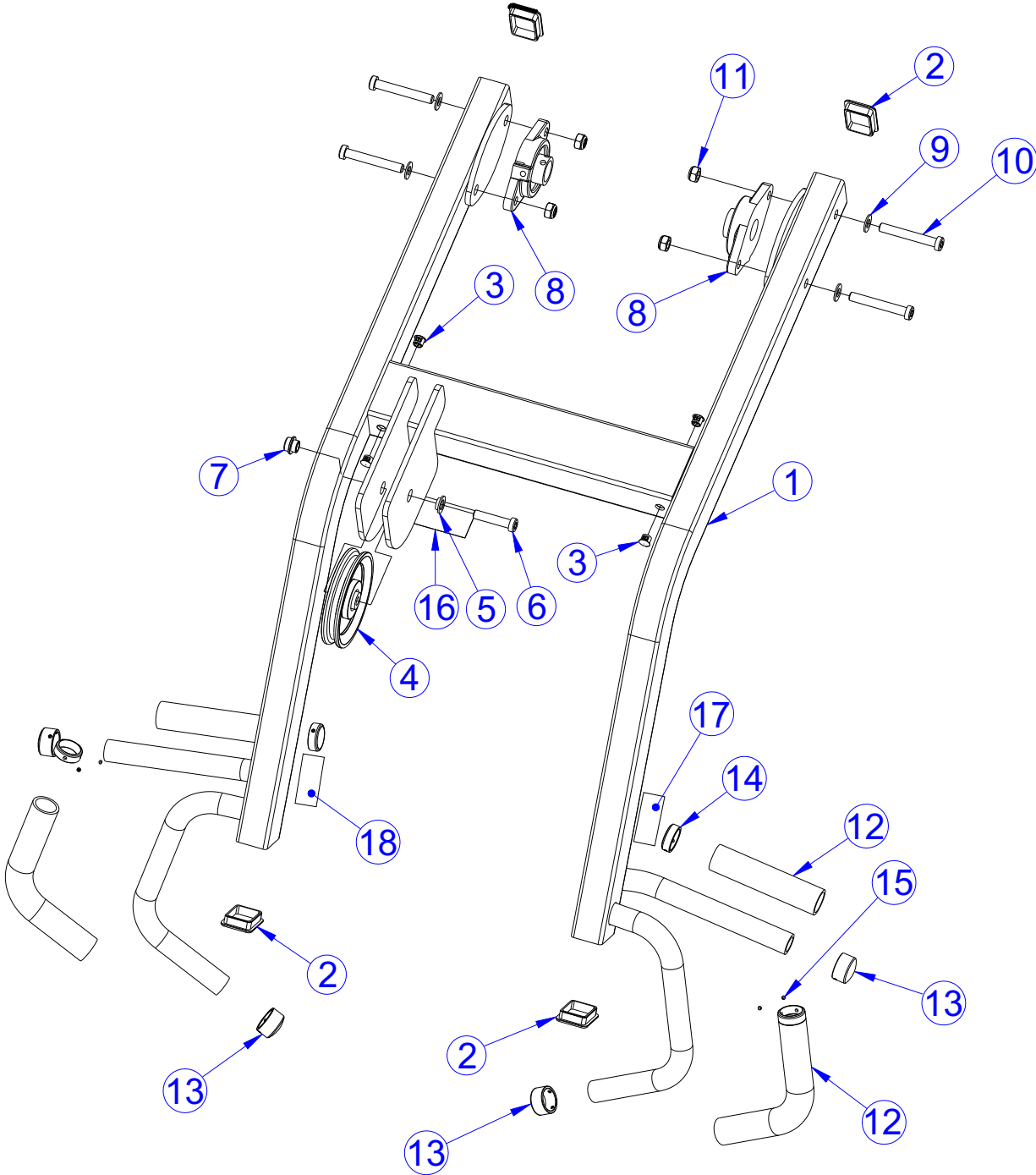
SEE PAGE 8 FOR LEGEND

PSRW SEATED ROW STACK FRAME ASSEMBLY LEGEND



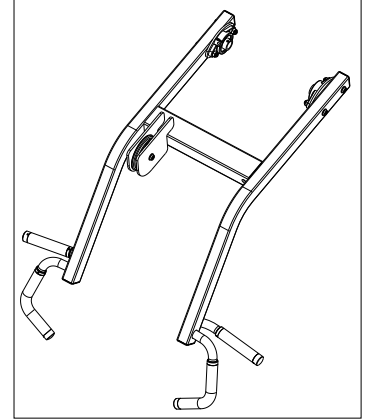
ITEM NO.	QTY.	PART NO.	DESCRIPTION
1	1	7415501	WLDMT, PSRW STACK FRAME
2	2	7352101	CUSHION, WEIGHT STACK
3	1	SEE PAGE 15	ASSY, 300LB STACK
4	2	7352401	CAP, END 2 X 4
5	1	3237801	PULLEY, 4.5" OD
6	1	7348101	WASHER, SPACER
7	1	3236206	SCREW, M10 X1.5 45MM
8	1	7335401	NUT, M10 X 1.5 SOCKET HEAD
9	2	3237401	PLUG, 7/16" HOLE
10	2	6912805	SLEEVE, ACCRDN 1.0 ID X 5.5
11	2	7328606	GUIDE ROD, .75 OD SOLID 59.63
12	2	7402301	RETAINER, GUIDEROD
13	2	3232421	RING, BRE .940, 5100-100 ST PP B
14	2	MM-9	3 X 6 FLANGE RUBBER SLIPPER
15	2	3240501	M10 X 1.5 HXS NO CUP ST BO
16	1	7422004	LABEL, 2" ASTM WARN
17	1	7348001	LABEL, LIFE FITNESS LOGO
18	1	7571301	LABEL, SERIAL NUMBER
19	6	3238101	NUT, BLIND INSERT M10 X 1.5

PSRW SEATED ROW WORK ARM ASSEMBLY



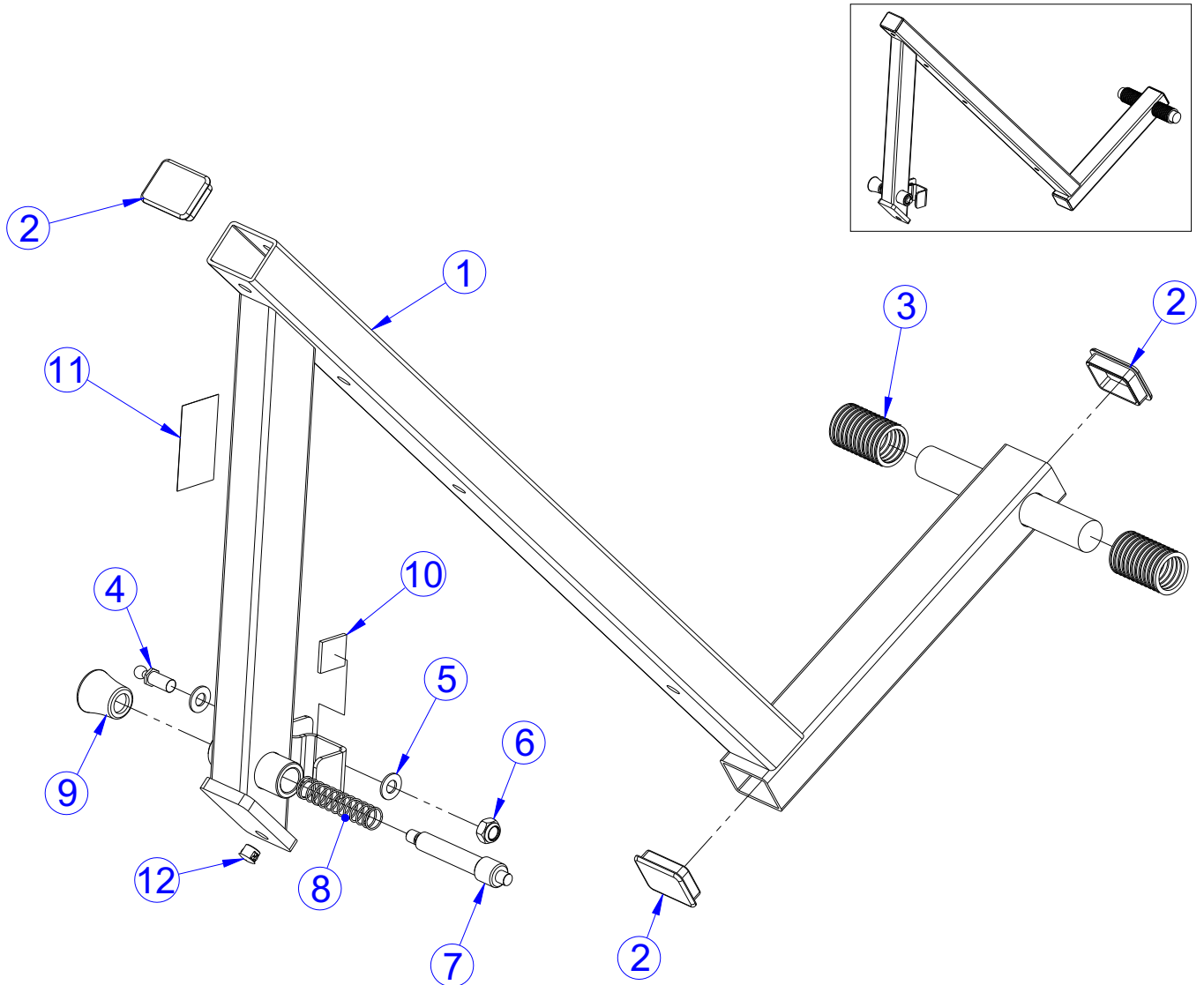
SEE PAGE 10 FOR LEGEND

PSRW SEATED ROW WORK ARM ASSEMBLY LEGEND



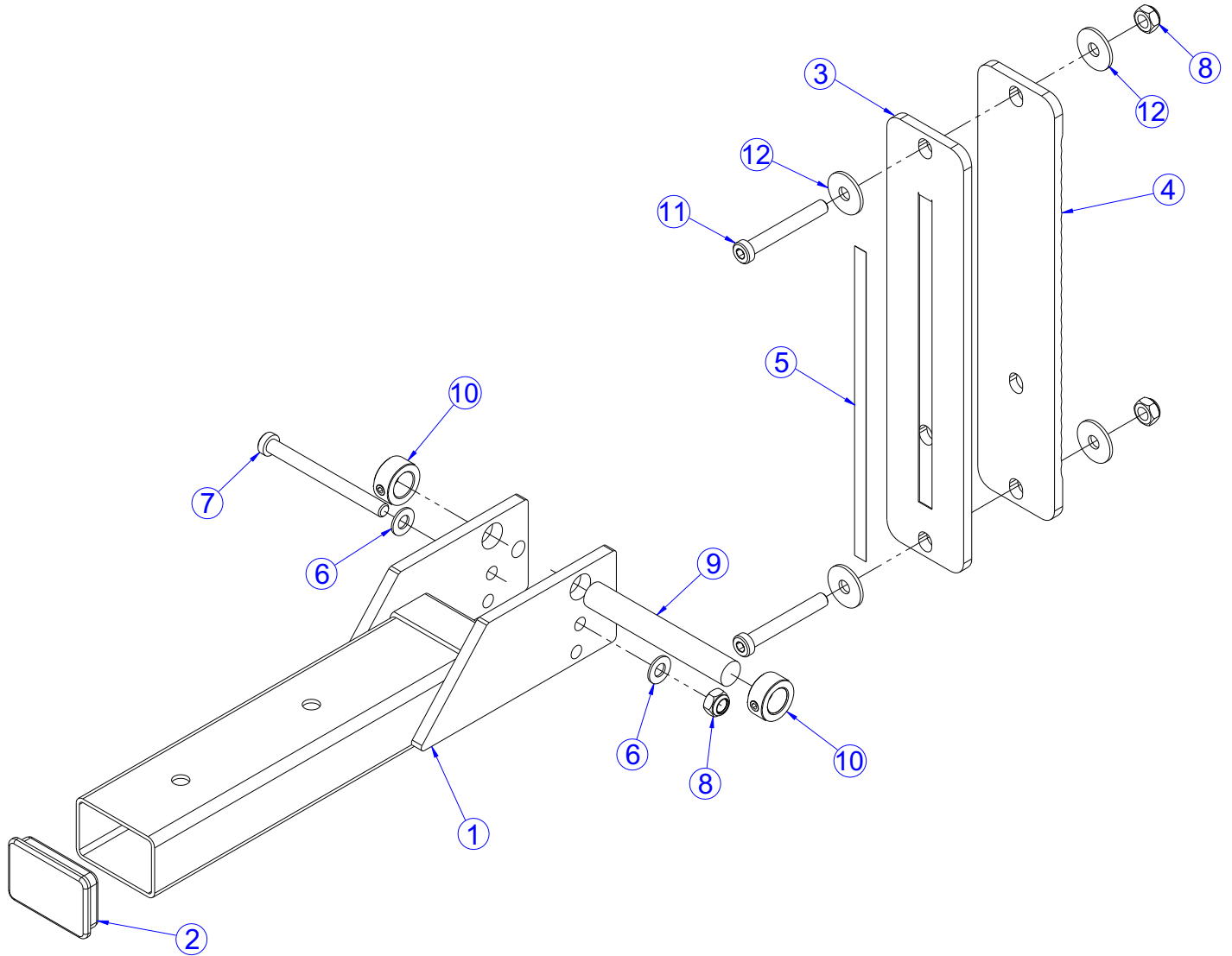
ITEM NO.	QTY.	PART NO.	DESCRIPTION
1	1	7417901	WLDMT, PSRW MOVEMENT ARM
2	4	7352201	CAP, END 1-1/2 X 2
3	4	3237401	PLUG, 7/16" HOLE
4	1	3237801	PULLEY, 4.5" OD
5	1	7348101	WASHER, SPACER
6	1	3236206	SCREW, M10 X1.5 45MM
7	1	7335401	NUT, M10 X 1.5 SOCKET HEAD
8	2	3237701	ASSY, PILLOW BLOCK 4.88 X 2.75
9	4	3236601	WASHER, 3/8 SAE SS
10	4	3236211	SCREW, M10 X1.5 70MM
11	4	3236801	NUT, M10 HEX NYLOCK SS
12	4	3235801	GRIP, 1.25 OD OPEN END
13	4	7662901	CAP, GRIP 1.25 OD
14	4	7662801	RING, GRIP 1.25 OD
15	16	3247701	M4 X .7 HXS NO CUP ST BO
16	1	7422003	LABEL, MOVING PARTS
17	1	7489701	LABEL, PSRW HANDLE LFT
18	1	7489601	LABEL, PSRW HANDLE RHT

PSRW SEATED ROW SEAT FRAME ASSEMBLY



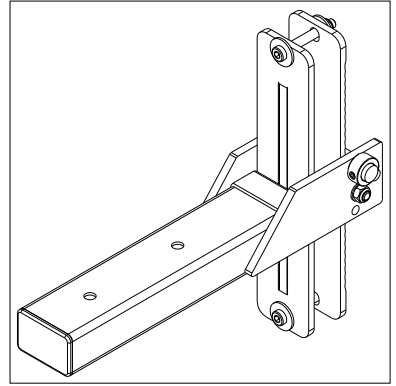
ITEM NO.	QTY.	PART NO.	DESCRIPTION
1	1	7417201	WLDMT, PSRW SEAT FRAME
2	3	7352201	CAP, END 1-1/2 X 2
3	2	6912804	SLEEVE, ACCRDN 1.0 ID X 2
4	1	7414301	STUD, M10 BALL END M10 X 1.5
5	2	3236601	WASHER, 3/8 SAE SS
6	1	3236801	NUT, M10 HEX NYLOCK SS
7	1	7425103	PIN, PULL X 4.25
8	1	7351501	SPRING; PULL PIN LARGE
9	1	7351401	KNOB, TULIP STYLE
10	1	6140701	GLIDE 1 X 1
11	1	7422003	LABEL, MOVING PARTS
12	1	3237402	PLUG, HOLE

PSRW SEATED ROW 90° SEAT ASSEMBLY



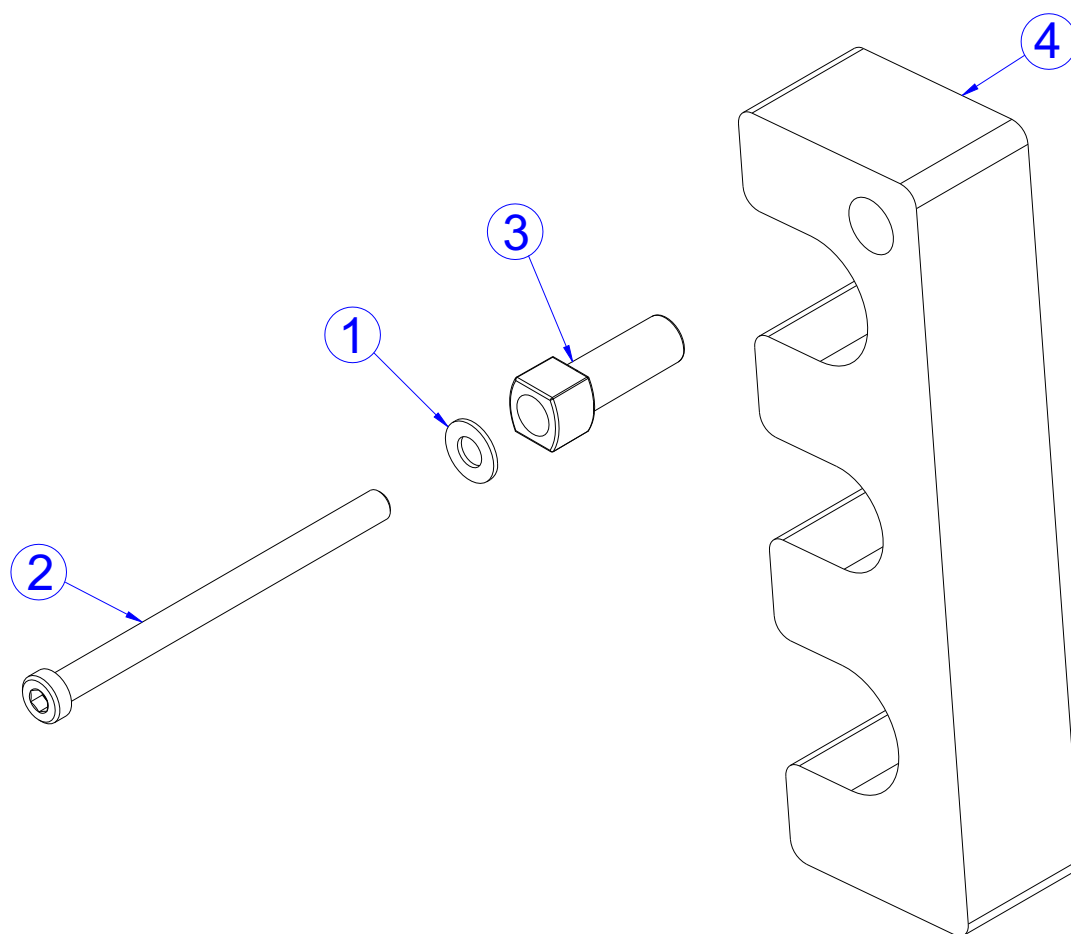
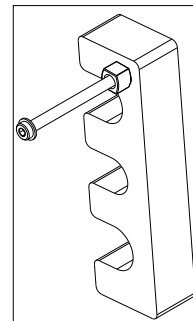
SEE PAGE 13 FOR LEGEND

PSRW SEATED ROW 90° SEAT ASSEMBLY LEGEND



ITEM NO.	QTY.	PART NO.	DESCRIPTION
1	1	7358701	WLDMT, 90 DEG. STD. HAMMER SEAT
2	1	7352301	CAP, END 2 X 3
3	1	7359701	SEATRACK FRONT
4	1	7359801	SEATRACK BACK
5	1	7422002	LABEL, SEAT ADJUST
6	2	3236601	WASHER, 3/8 SAE SS
7	1	3236218	SCREW, M10 X1.5 110MM
8	3	3236801	NUT, M10 HEX NYLOCK SS
9	1	7359301	.75" SS ROUND SEAT PIN
10	2	3103301	SHAFT COLLAR, 3/4 I.D. ZINC
11	2	3236212	SCREW, M10 X1.5 75MM
12	4	3236602	WASHER, 3/8 ID X 1.25 OD SS

PSRW SEATED ROW ADD-ON INCREMENT WEIGHT ASSEMBLY - 7415001

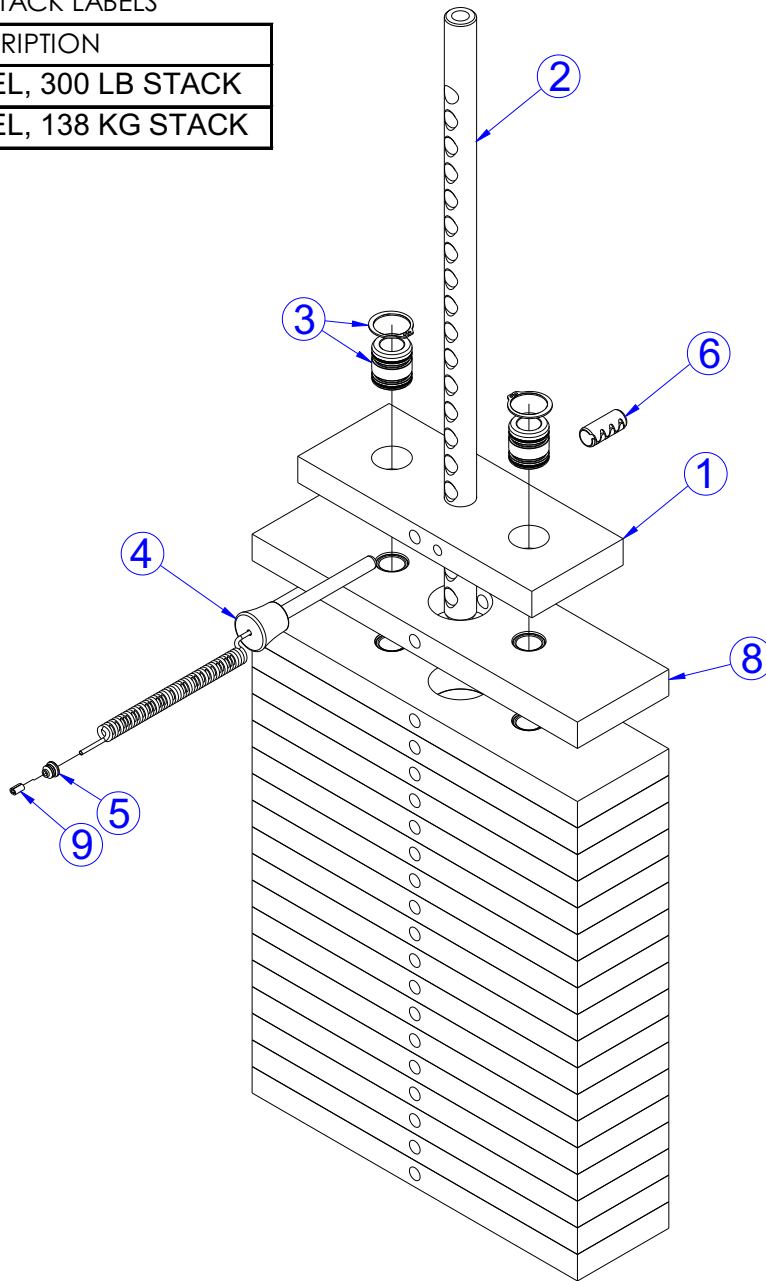
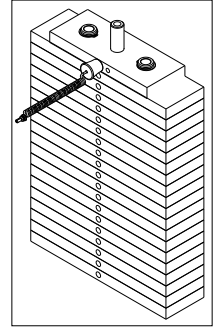


ITEM NO.	QTY.	PART NO.	DESCRIPTION
1	1	3236601	WASHER, 3/8 SAE SS
2	1	3236221	SCREW, M10 X1.5 140MM
3	1	7401701	COVER, PLASTIC PEG 2-1/4
4	1	7366101	WEIGHT, 7.5 LB. ADD-ON

PSRW SEATED ROW WEIGHT STACK ASSY 300LB

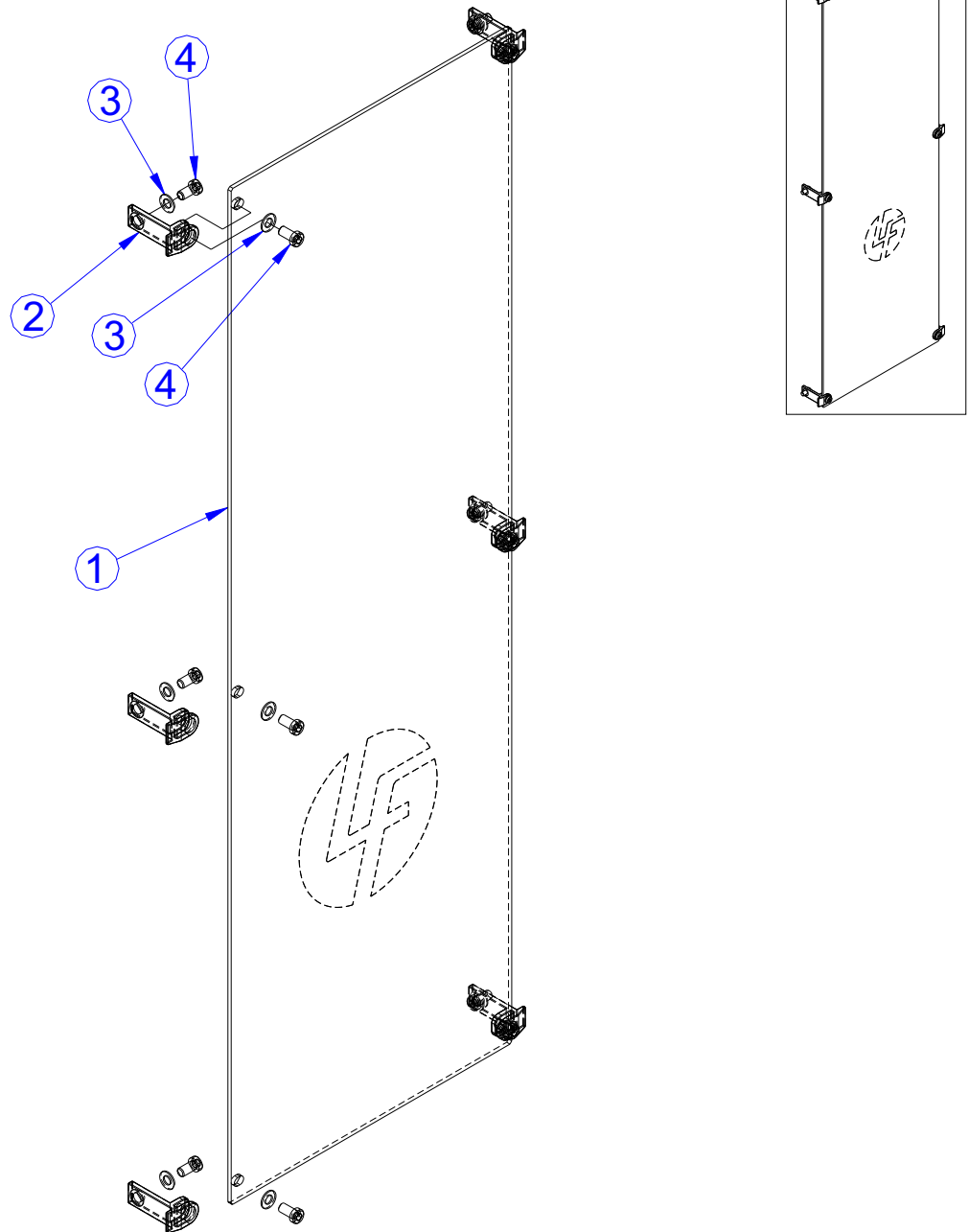
WEIGHT STACK LABELS

PART NO.	DESCRIPTION
7987201	LABEL, 300 LB STACK
7987401	LABEL, 138 KG STACK



ITEM NO.	QTY.	PART NO.	DESCRIPTION
1	1	7353901	HEADPLATE, WT. STACK
2	1	7356601	STEM, PRO2 19 HOLE
3	2	7338001	BUSHING, HEADPLATE
4	1	7353001	ASSY, SELECTOR PIN
5	1	7356501	PLUG, LANYARD ATTACHMENT
6	1	3236001	BUSHING, SPRING PIN
8	19	7353801	ASSY, 15 LB PLATE
9	1	7523601	CRIMP, CABLE

PSRW SEATED ROW OPTIONAL REAR SHROUD KIT STD-TALL - 7415206



ITEM NO.	QTY.	PART NO.	DESCRIPTION
1	1	8352406	SHROUD, PS REAR 58.25 X 16.43
2	6	7655301	BRACKET, PS REAR SHIELD
3	12	3236601	WASHER, 3/8 SAE SS
4	12	3236201	SCREW, M10 X1.5 20MM