

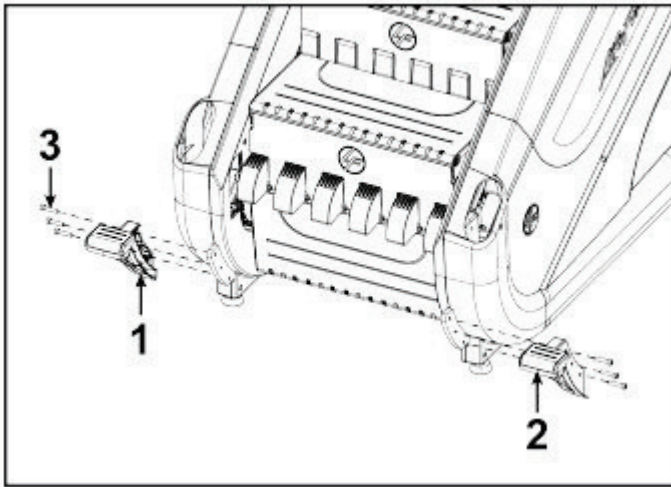
LIFE FITNESS POWERMILL ASSEMBLY MANUAL


(Reference for Assembly when the most narrow path is over 29.5")

Assembly Manual

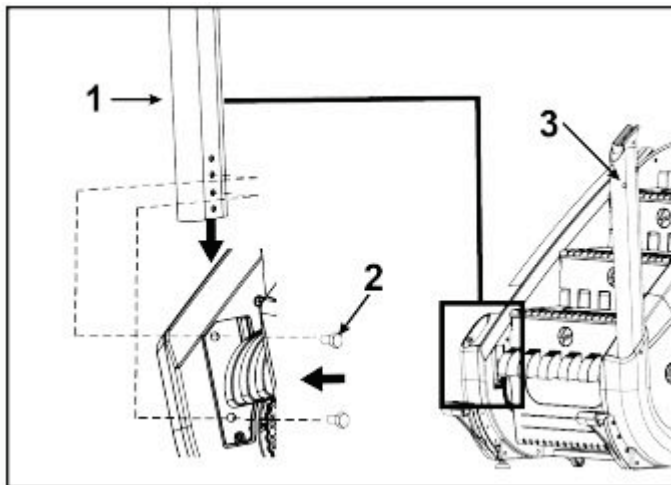



Install Step Assists



Item	Description	Qty.
1	Step Assist, Left	1
2	Step Assist, Right	1
3	M8 X 35mm Socket Head Cap Screw	6
	18-20 ft. lbs. (24.4-27.1 Nm)	

Install Left and Right Rear Uprights



Item	Description	Qty.
1	Rear Upright, Left	1
2	M10 X 20mm Hex Head Cap Screw	4
3	Rear Upright, Right	1
	28-32 ft. lbs. (38-43.3 Nm)	

EXPLODED PART DIAGRAM

