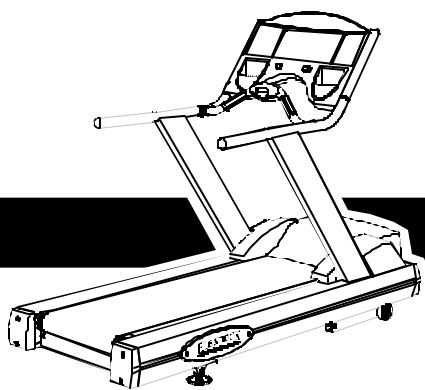




TREADMILL

ASSEMBLY INSTRUCTIONS



Life Fitness
Rely on it.™

Congratulations...

*and welcome to the world of **Life Fitness***

*and the **Life Fitness 9100 / 9500HR / 9700HR** treadmills.*

The following Parts Identification Listing and the step by step assembly procedures have been assembled to make the set-up of this treadmill as quick and easy as possible.

Please take special note of the following important points prior to choosing a location and beginning assembly of the treadmill...

IMPORTANT SAFETY INSTRUCTIONS !

- ⇒ *DO NOT* position the rear of the treadmill within 6 feet (2 meter) of the nearest obstruction. The sides of the treadmill should maintain a minimum clearance of 8 inches (20 cm) from the nearest treadmill or other obstruction.
 - ⇒ *DO NOT* locate the treadmill outdoors, near swimming pools, or in areas of high humidity.
 - ⇒ *DO* verify the contents of the delivery carton against the accompanying parts listing prior to setting the cartons and shipping material aside. If any parts are missing, contact Life Fitness Customer Support Services at the number listed on the back page of this assembly instruction booklet.
Save the shipping cartons in case of return.
 - ⇒ *DO* read the entire Operation Manual prior to attempting to operate this machine, as this is essential for proper use. The Manual explains how to properly use the treadmill and helps you to design an aerobic workout tailored to your personal fitness needs or requirements.
-

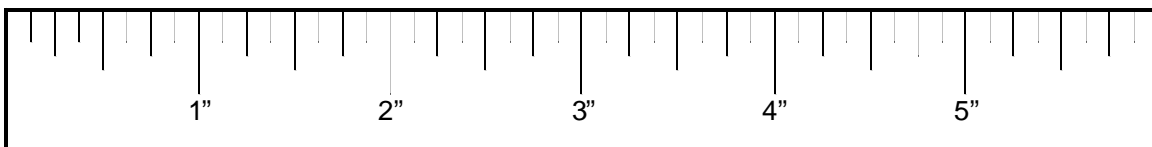
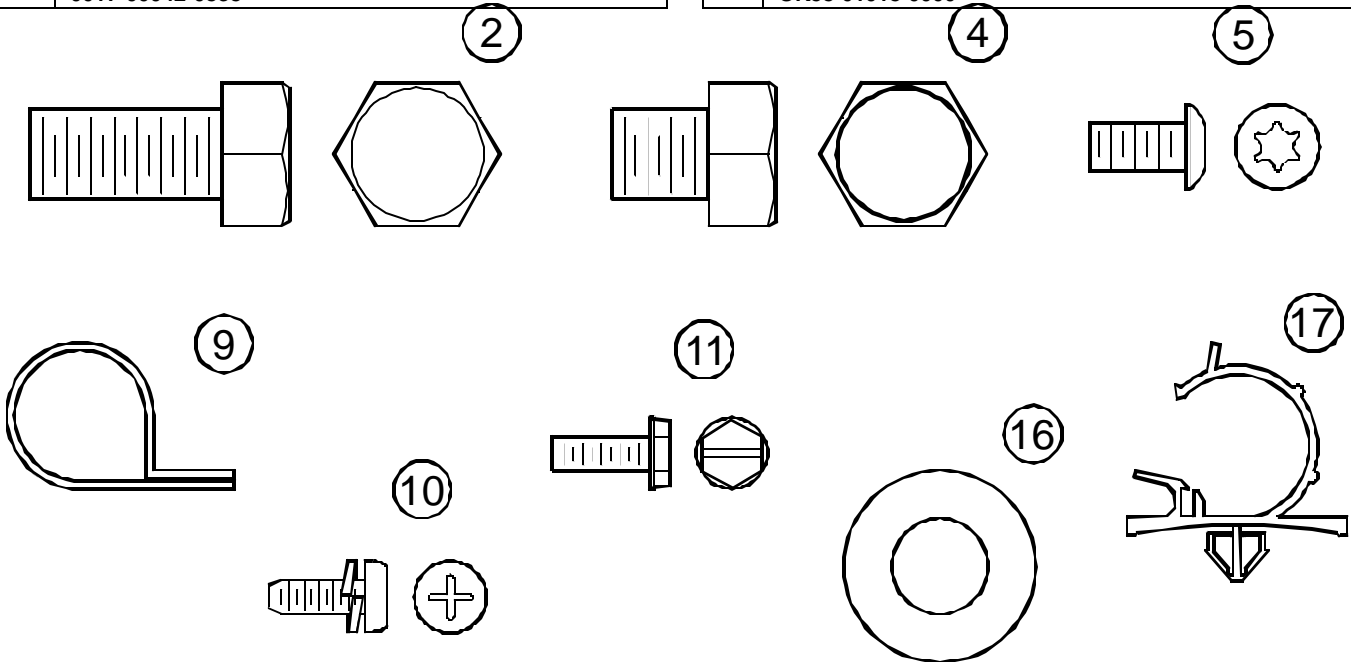
- ⇒ *NE* placez **PAS** l'arrière du tapis roulant dans un rayon de 2 m (6 pi) de l'obstruction la plus proche. Les côtés de l'appareil ne doivent pas se trouver à moins de 20 cm (8 po) du tapis roulant voisin ou de toute autre obstruction.
- ⇒ *NE* placez **PAS** le tapis roulant à l'extérieur, près d'une piscine ou dans des endroits très humides.
- ⇒ **VÉRIFIEZ** si l'emballage contient toutes les pièces de la liste jointe avant de le mettre de côté. Si des pièces sont absentes, contactez l'assistance clientèle de Life Fitness au numéro indiqué au dos de cette brochure d'instruction de montage..
- ⇒ **VÉRIFIEZ** si l'emballage contient toutes les pièces de la liste jointe avant de le mettre de côté. Si des pièces sont absentes, contactez l'assistance clientèle de Life Fitness au numéro indiqué au dos de cette brochure d'instruction de montage.

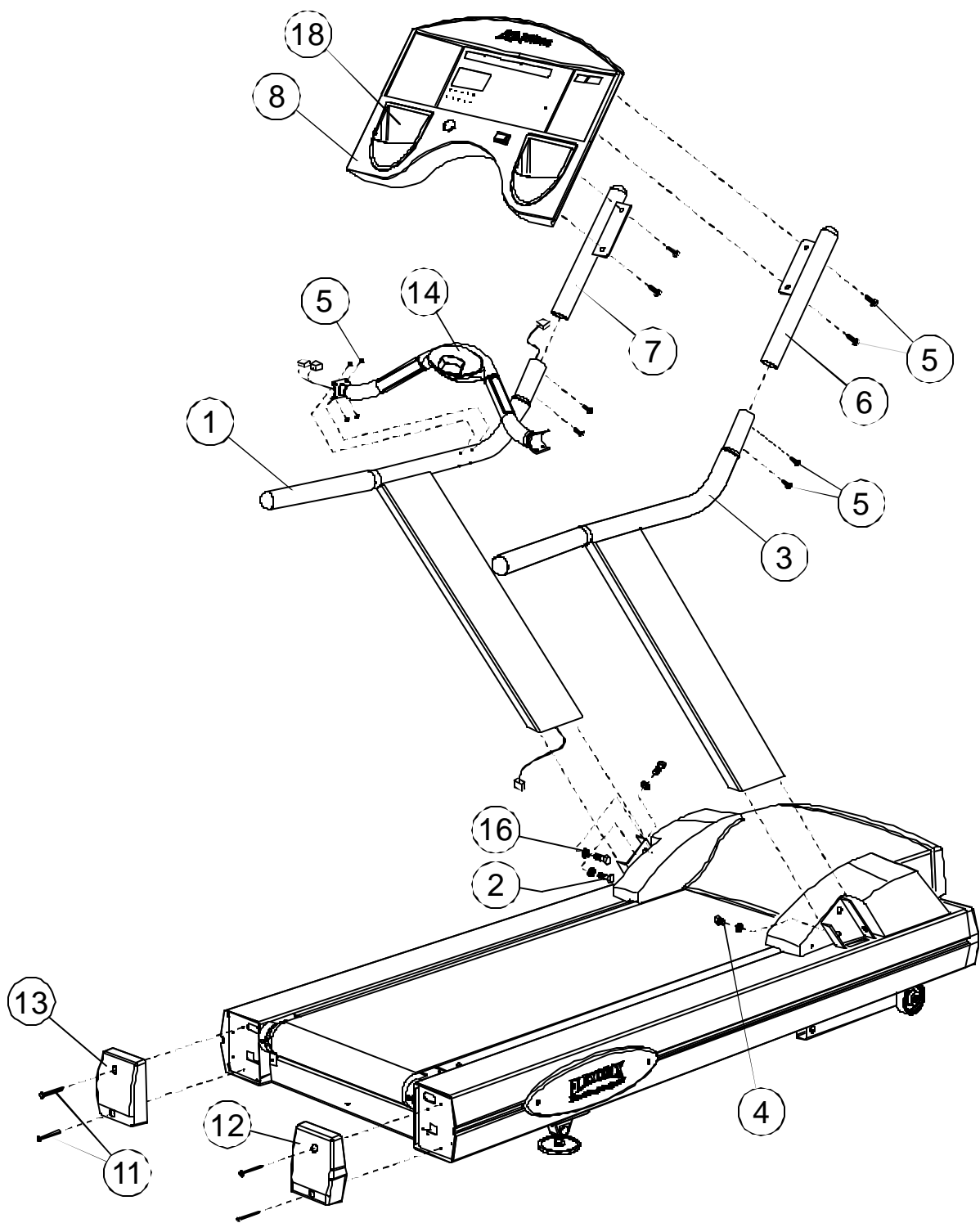
TOOLS REQUIRED FOR ASSEMBLY...

Phillips screwdriver (provided), Torx wrench (provided), 3/4" combination wrench, flat blade screwdriver (or 5/16" nut driver)

PARTS DESCRIPTION

1	USER LEFT HANDRAIL AK58-00017-0002 (Model 9100) AK58-00016-0002 (Model 9500) AK58-00015-0002 (Model 9700)	Qty: 1	2	HANDRAIL MOUNTING BOLT 1/2 - 13 x 1" 0017-00101-1630	Qty: 5
3	USER RIGHT HANDRAIL AK58-00017-0001 (Model 9100) AK58-00016-0001 (Model 9500) AK58-00015-0001 (Model 9700)	Qty: 1	4	HANDRAIL MOUNTING BOLT 1/2 - 13 x 1/2" 0017-00101-1620	Qty: 1
5	MOUNTING SCREW (9500HR/9700HR) MOUNTING SCREW (9100) 1/4 - 20 x 5/8" 0017-00101-1640	Qty: 18 Qty: 14	6	USER RIGHT HANDRAIL EXTENSION POST (Models 9500HR and 9700HR only) AK58-00065-0001	Qty: 1
7	USER LEFT HANDRAIL EXTENSION POST (Models 9500HR and 9700HR only) AK58-00065-0002	Qty: 1	8	DISPLAY CONSOLE ASSEMBLY	Qty: 1
9	CABLE CLAMP 0017-00042-0007	Qty: 1	10	CABLE CLAMP SCREW #10 - 32 x 1/2" (Phillips) 0017-00101-1265	Qty: 1
11	ENDCAP SCREW #10 - 32 x 1/2" (Slotted) 0017-00101-1060	Qty: 4	12	RIGHT REAR ENDCAP OK58-01070-0001	Qty: 1
13	LEFT REAR ENDCAP OK58-01070-0002	Qty: 1	14	FRONT HANDLEBAR ASSEMBLY OK58-01051-0000 (Model 9100) AK58-00018-0000 (Model 9500HR/9700HR)	Qty: 1
15	WAX BAG KIT GK58-00002-0002	Qty: 1	16	FLAT WASHER 1/2 - 1 x 055 0017-00104-0335	Qty: 6
17	LINE CORD CLIP 0017-00042-0838	Qty: 5	18	ACCESSORY TRAY OK58-01018-0000	Qty: 2





IMPORTANT!
DO NOT DISCARD THE SHIP KIT LOCATED ON TOP OF THE DECK AND BELT. ALL NECESSARY COMPONENTS NEEDED TO COMPLETE THE INSTALLATION ARE LOCATED IN THE SHIP KIT.

IMPORTANT!
NE JETEZ PAS LE KIT D'EXPÉDITION PLACÉ SUR LE DESSUS DU PLATEAU ET SUR LE TAPIS. IL CONTIENT TOUS LES ÉLÉMENTS NÉCESSAIRES POUR L'INSTALLATION.

Step 1

Remove the four SCREWS securing the MOTOR COVER to the FRAME (C).
 Remove the MOTOR COVER.

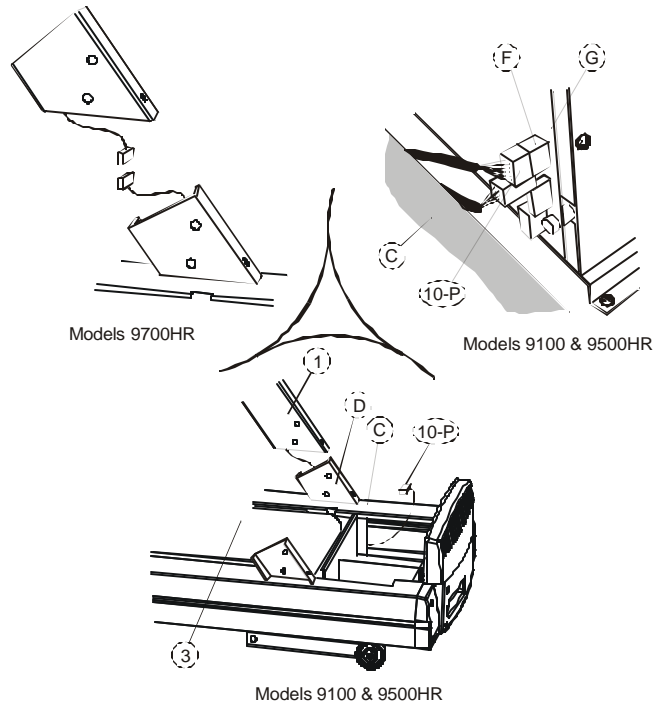
Step 2

Remove the USER LEFT HANDRAIL (#1)(with wire harness) from the ship kit and lay it on the deck with the rectangular tube end facing the motor compartment and behind the USER LEFT HANDRAIL MOUNTING BRACKET (D).

Step 3

(Models 9100 & 9500HR Only)

Carefully route the 10-PIN CONNECTOR (10-P) leading from the rectangular tube end of the USER LEFT HANDRAIL (#1) through the opening at the USER LEFT HANDRAIL MOUNTING BRACKET (D) and through the access hole located at the inside FRAME (C) wall.



NOTE: BE CAREFUL NOT TO DAMAGE THE WIRE HARNESS WHEN ROUTING IT THROUGH THE FRAME MEMBERS.

BE REMARQUE : VEILLEZ À NE PAS ENDOMMAGER LE FAISCEAU LORS DE SON PASSAGE PAR LES ÉLÉMENTS DU CADRE.

(Model 9700HR Only)

Connect the 10-PIN CONNECTOR (10-P) leading from the rectangular tube end of the USER LEFT HANDRAIL (#1) to the 10-PIN CONNECTOR (10-P) leading from the USER LEFT HANDRAIL MOUNTING BRACKET (D).

Step 4

Raise the USER LEFT HANDRAIL (#1) off the deck and slide the rectangular tube end over the USER LEFT HANDRAIL MOUNTING BRACKET (D) until it rests on the FRAME (C).

CAUTION: BE CAREFUL NOT TO PINCH THE WIRE HARNESS.

MISE EN GARDE : VEILLEZ À NE PAS Pincer LE FAISCEAU.

Step 5

Install one HANDRAIL MOUNTING BOLT (#2) with one FLAT WASHER (#16) in the mounting hole located on the top narrow surface of the USER LEFT HANDRAIL (#1). Tighten the bolt until snug. Install two HANDRAIL MOUNTING BOLTS (#2) and FLAT WASHERS (#16) into the remaining two mounting holes located on the inside surface of the USER LEFT HANDRAIL (#1). Leave these two bolts loose at this time.

Step 6

Connect the 10-PIN CONNECTOR (E) to the 10-PIN JACK (F) located on the CONTROL BOARD (G).

Step 7

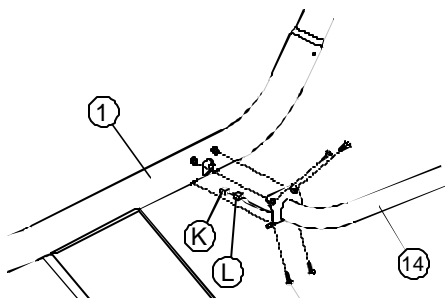
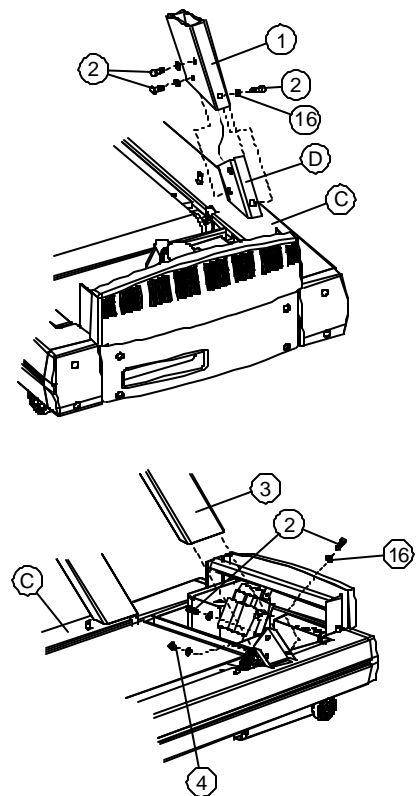
Locate the USER RIGHT HANDRAIL (#3) and slide the rectangular tube end over the USER RIGHT HANDRAIL MOUNTING BRACKET until it rests on the FRAME (C).

Step 8

Install one HANDRAIL MOUNTING BOLT (#2) with one FLAT WASHER (#16) in the mounting hole located on the top narrow surface of the USER RIGHT HANDRAIL (#3). Tighten the bolt until snug. Install two HANDRAIL MOUNTING BOLTS (#2 & #4) and FLAT WASHERS (#16) into the remaining two mounting holes located on the inside surface of the USER RIGHT HANDRAIL (#3). Leave these two bolts loose at this time.

NOTE: HANDRAIL MOUNTING BOLT #4 SHOULD BE LOCATED IN THE LOWER INSIDE MOUNTING HOLE OF THE USER RIGHT HANDRAIL

REMARQUE : LE BOULON DE FIXATION DE BARRE LATÉRALE N° 4 DOIT SE TROUVER DANS L'ORIFICE INTERNE INFÉRIEUR DE LA BARRE LATÉRALE DROITE.



Step 9

Locate the FRONT HANDLEBAR ASSEMBLY (#14). With the bend facing upward and toward the front of the unit, align the FRONT HANDLEBAR ASSEMBLY with the access hole located on the inside of the USER LEFT HANDRAIL (#1).

(Models 9500HR & 9700HR) Feed the HEART RATE ELECTRODE CABLE (K) and the SMART STOP™ SYSTEM CABLE (L) through the access hole and up through the top of the USER LEFT

HANDRAIL. Carefully feed the CABLES (K & L) into the USER LEFT HANDRAIL while aligning the mounting holes of the FRONT HANDLEBAR ASSEMBLY and the USER LEFT HANDRAIL.

Step 10

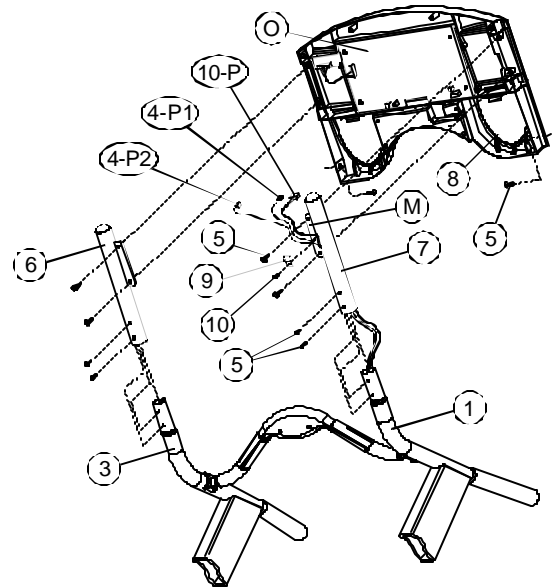
Secure the FRONT HANDLEBAR ASSEMBLY (#14) to the USER LEFT HANDRAIL (#1) with four MOUNTING SCREWS (#5). Repeat the mounting procedure for the user right side of the FRONT HANDLEBAR ASSEMBLY and USER RIGHT HANDRAIL (#3). Tighten the MOUNTING SCREWS securely.

Step 11 (Models 9500HR & 9700HR Only)

Place the USER RIGHT HANDRAIL EXTENSION POST (#6) over the front end of the USER RIGHT HANDRAIL (#3). Feed the cables leading from the USER LEFT HANDRAIL (#1) up through the bottom of the USER LEFT HANDRAIL EXTENSION POST (#7) and out the CABLE ACCESS HOLE located beneath the MOUNTING FLANGE (M). Place the USER LEFT HANDRAIL EXTENSION POST over the front end of the USER LEFT HANDRAIL. Secure the HANDRAIL EXTENSION POSTS to the HANDRAILS with four MOUNTING SCREWS (#5). Tighten until snug only.

CAUTION: BE CAREFUL NOT TO PINCH THE WIRE HARNESSES WHEN SLIDING THE HANDRAIL EXTENSION POSTS (#5 and #6) AND HANDRAILS (#1 and #3) TOGETHER.

MISE EN GARDE : VEILLEZ À NE PAS PINCER LE FAISCEAU LORSQUE VOUS FAITES GLISSER LES RALLONGES DE BARRES LATÉRALES (n° 5 et 6) SUR LEURS BARRES (n° 1 et 3).



Step 12

Locate the DISPLAY CONSOLE ASSEMBLY (#8). Remove the eight SCREWS securing the DISPLAY CONSOLE BACK PANEL to the DISPLAY CONSOLE ASSEMBLY. Carefully remove the DISPLAY CONSOLE BACK PANEL and set it aside.

Step 13

Standing at the front of the unit and with the DISPLAY CONSOLE CIRCUIT BOARD (O) facing the front of the unit, align the DISPLAY CONSOLE ASSEMBLY mounting holes with those of the HANDRAIL MOUNTING FLANGES (M). Secure the DISPLAY CONSOLE ASSEMBLY using six MOUNTING SCREWS (#5). Tighten the SCREWS securely.

(Models 9500HR & 9700HR Only)

Tighten the MOUNTING SCREWS (#5) of the HANDRAIL EXTENSION POSTS (#6 and #7) securely.

Step 14 (Models 9500HR & 9700HR Only)

Attach the 4-PIN FLAT CONNECTOR (4-P1) to the 4-PIN FLAT JACK located on the DISPLAY CONSOLE CIRCUIT BOARD (O). Attach the 4-PIN SQUARE CONNECTOR (4-P2) to the 4-PIN SQUARE JACK located on the DISPLAY CONSOLE CIRCUIT BOARD.

Step 15

Attach the 10-PIN CONNECTOR (10-P) to the 10-PIN JACK located on the DISPLAY CONSOLE CIRCUIT BOARD (O).

Step 16

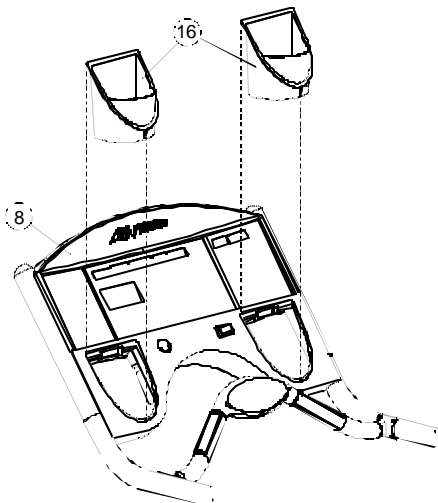
Secure the WIRE HARNESS(ES) to the USER LEFT HANDRAIL MOUNTING FLANGE (M) using the CABLE CLAMP (#9) and CABLE CLAMP SCREW (#10).

Step 17

Replace the DISPLAY CONSOLE BACK PANEL and re-install the eight DISPLAY CONSOLE BACK PANEL MOUNTING SCREWS.

CAUTION: BE CAREFUL NOT TO PINCH ANY WIRES WHEN REPLACING THE DISPLAY CONSOLE BACK PANEL.

MISE EN GARDE : VEILLEZ À NE PAS PINCER LES FILS LORS DE LA REMISE EN PLACE DU PANNEAU ARRIÈRE DE LA CONSOLE DE COMMANDE.



Step 18

Tighten all HANDRAIL MOUNTING BOLTS (#2 & #4) securely.

Step 19

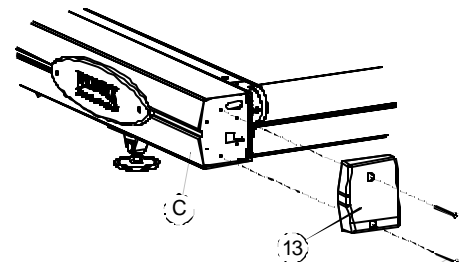
Place the two ACCESSORY TRAYS (#16) into the openings in the DISPLAY CONSOLE ASSEMBLY (#8). Be sure the ACCESSORY TRAYS snap and lock into position.

Step 20

Place the MOTOR COVER back into position and secure it with the four MOTOR COVER SCREWS.

Step 21

Using two ENDCAP SCREWS (#11), attach the LEFT ENDCAP (#13) to the user left FRAME (C) rear. Repeat the process with the RIGHT ENDCAP (#12) and user right FRAME rear.



Step 22

Locate and open the WAX BAG KIT (#15). Follow the included instructions to complete the installation.

Step 23

Refer to the Operation Manual for proper installation of the LINE CORD CLIPS (#17) and proper routing of the LINE CORD.

PRE-OPERATION CHECKLIST

- ⇒ *Ensure that all fasteners are tight.*
- ⇒ *Make sure the STRIDING BELT is properly tensioned and aligned according to the Operation Manual.*
- ⇒ *Confirm the wax bag has been installed.*
- ⇒ *Check the operation of the STOP switch and tether switch assembly.
(See Operation Manual.)*
- ⇒ *Confirm the display console is set to English or Metric units.
(See Optional Settings ENG/MET in Operation Manual.)*
- ⇒ *Refer to the Operation Manual for real time clock setting.*
- ⇒ *Read the entire Operation Manual before using the treadmill.*

LISTE DES VÉRIFICATIONS À EFFECTUER AVANT LA MISE EN MARCHÉ

- ⇒ *Vérifiez si tous les dispositifs de fixation sont serrés.*
- ⇒ *Assurez-vous que le TAPIS est bien tendu et aligné, conformément aux instructions du manuel d'utilisation.*
- ⇒ *Assurez-vous que le sac de cire a été installé..*
- ⇒ *Vérifiez le fonctionnement de l'interrupteur d'ARRÊT et reliez-le
(cf. Manuel de l'utilisateur).*
- ⇒ *Vérifiez si la console d'affichage est sur le système métrique ou anglais.
(Référez-vous aux réglages facultatifs relatifs aux systèmes de mesure dans le Manuel de l'utilisateur.)*
- ⇒ *Consultez le Manuel de l'utilisateur pour le réglage de l'horloge en temps réel.*
- ⇒ *Lisez le Manuel de l'utilisateur dans son intégralité avant d'utiliser le tapis roulant.*

Before attempting to operate your Treadmill, it is imperative that you familiarize yourself with the contents of the Operation Manual. If your Life Fitness treadmill does not respond as described in the OPERATION MANUAL contact the nearest Life Fitness Service Center as listed in the OPERATION MANUAL.

Life Fitness Customer Support Services
at (800) 351-3737 or (847) 451-0036

Prior to your call, please be sure you have located and noted the

MODEL NUMBER & SERIAL NUMBER.

The Model & Serial number information of your Life Fitness Treadmill is contained in a label located on the front of the unit.

Life Fitness
Rely on it.™

