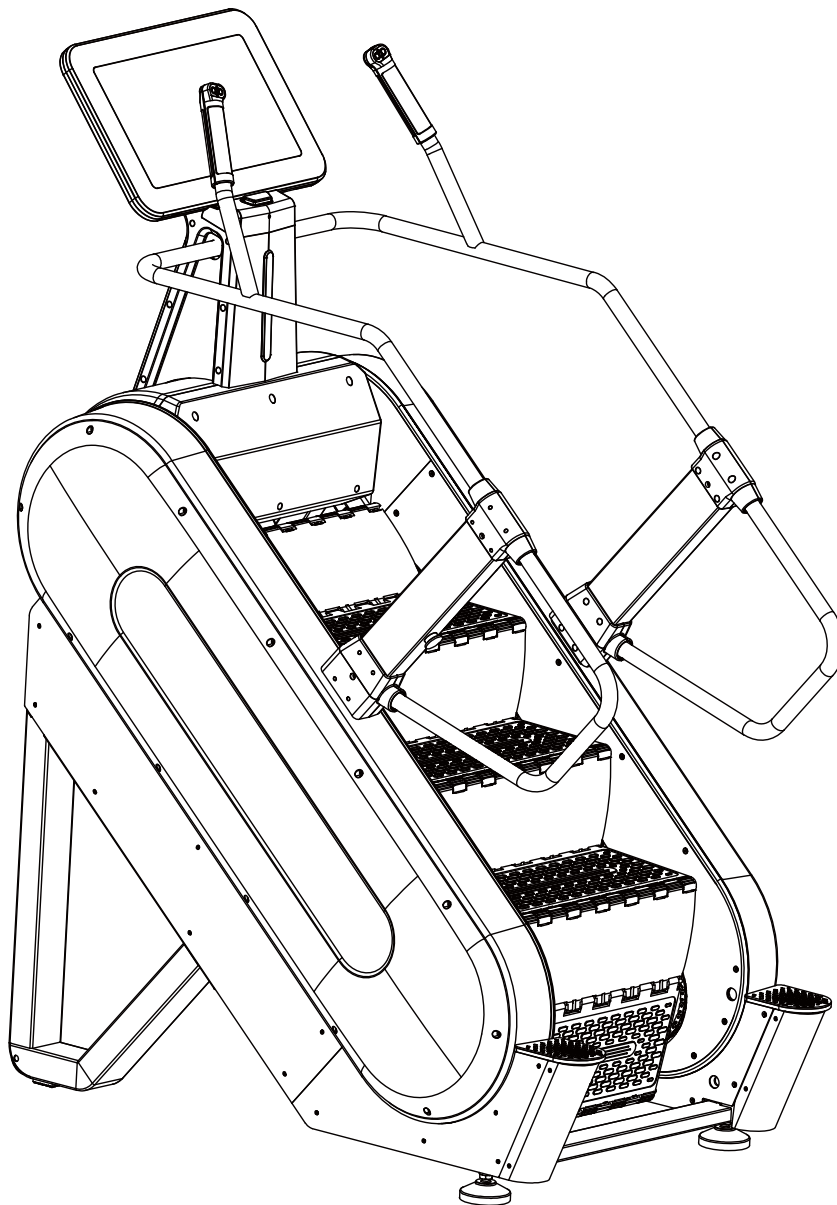




User Manual

FF-SM920T

Stair Climber Machine



CAUTION!

Read all precautions and instructions in this manual before using this equipment.

20260506-V1.0

TABLE OF CONTENTS

IMPORTANT SAFETY NOTICES.....	2
SCHEMATIC DIAGRAM OF STAIR MACHINE PARTS.....	5
DETAILS OF STAIR MACHINE PARTS PACKAGING.....	6
HARDWARE PACK.....	7
STEPS FOR UNPACKING THE PRODUCT.....	8
STAIR MACHINE INSTALLATION STEPS DIAGRAM.....	11
PARTS LIST.....	21
TOUCHSCREEN CONSOLES	25
DAILY MAINTENANCE OF STAIR MACHINE.....	39
EXERCISE INSTRUCTIONS.....	39
PRODUCT SPECIFICATIONS.....	40
GENERAL FAULTS OF CONTROL SYSTEM AND TROUBLESHOOTING METHODS.....	41

Welcome to join the ranks of users of our products. Practice will prove that your choice is correct. The main parts of this machine have been strictly inspected and tested to ensure product quality to the greatest extent. With reference to this manual, you can correctly guide the installation, use and daily maintenance of this product, and if there is a fault during use, you can get good service.

Thank you!

IMPORTANT SAFETY NOTICES

Warning!

Before beginning assembly, read the following warnings carefully and save them for future reference.

Warning!

Before starting a training program, users of this product should consult a physician. This is especially important for those over 35 years of age or with pre-existing health problems. If you experience chest pain, nausea, dizziness, or shortness of breath during a workout, stop training immediately and consult a physician before restarting.

Heartbeat system may be inaccurate; the excessive exercise may lead to hurt or death. If you feel uncomfortable, please stop exercise immediately.

Safety precautions

When using this equipment, basic safety precautions should always be followed to reduce the possibility of injury, fire, or damage.

Detailed information on safety mechanisms is provided in other sections of this manual. Please be sure to read those sections and pay attention to all safety instructions.

These precautions include:

- Read all instructions in this guide and follow all markings on the equipment before installing and using it.
- Ensure that all users undergo a thorough physical examination before beginning any exercise program.
- Do not allow children or persons who are not familiar with the operation of this equipment to stand on or near this equipment. Do not leave children unattended around the equipment. This appliance can be used by children aged from 8 years and above and persons with reduced physical, sensory or mental capabilities or lack of experience and knowledge if they have been given supervision or instruction concerning use of the appliance in a safe way and understand the hazards involved. Children shall not play with the appliance. Cleaning and user maintenance shall not be made by children without supervision.
- Ensure all users wear appropriate clothing and footwear for their activity and avoid wearing loose clothing.
 - Users should not wear high heels or leather-soled shoes and should check the soles of their shoes to remove dirt and embedded stones. Users should tie long hair back.
- The equipment should not be left unattended when powered on. The equipment should be unplugged when not in use, before cleaning, and before authorized service.
- Please use the power adapter that came with the device. Plug the power adapter into a suitable grounded electrical outlet as marked on the device.
- Use extreme caution when assembling and disassembling the equipment.
- Read, understand and test the emergency stop procedures before use.

- Keep the power cord or optional power adapter and plug away from hot surfaces.
- The power cord should be routed so that it will not be walked on, pinched, or damaged by any objects placed upon or near it. Including the equipment itself.
- Ensure that the equipment has adequate ventilation. Do not place any objects on top of or above the equipment or in any way that might block the ventilation openings. Cushion surface operation.
- Assemble and operate equipment on a firm, level surface.
- Put the equipment in the right place
 - For all equipment except treadmills: Position the equipment so that each side is at least 1 meter (40 inches) away from objects behind it.
 - Treadmills: When positioning the treadmill, ensure that each side of the treadmill is at least 1 meter (40 inches) away from walls or furniture.
 - The rear of the treadmill should be at least 2 meters (80 inches) away from any objects.
- Keep the device away from water and moisture. Avoid any objects falling on or splashing into the device to avoid electric shock or damage to electronic components.
- Do not operate electrical equipment in wet locations.
- Do not use the device if its cable or plug is damaged, if it does not work properly, or if it has been dropped, damaged, or exposed to water. If any of the above conditions occur, request service immediately.
- Maintain the equipment properly to ensure good working condition as described in the Maintenance section of the Assembly and Maintenance Guide. Before use, inspect the equipment for faulty, worn, or loose parts and correct, replace, or tighten as necessary.
- Equipment Weight Limit: If you weigh more than 330 lbs (150 kg), you may not use this equipment.instrumnt.
- The equipment should not be operated while aerosol (spray) products are being used or oxygen is being administered.
- Not for outdoor use.
- Do not attempt to service the equipment yourself, except in accordance with the maintenance instructions in this manual.
- Do not place or insert objects into any openings and keep hands away from moving parts.
- Do not place any objects on stationary armrests, handles, consoles or protective covers.
- Do not lean on, push or pull the equipment at any time.
- Injuries to health can result from incorrect or excessive training.
- The owner shall provide the user with all warnings and instructions.

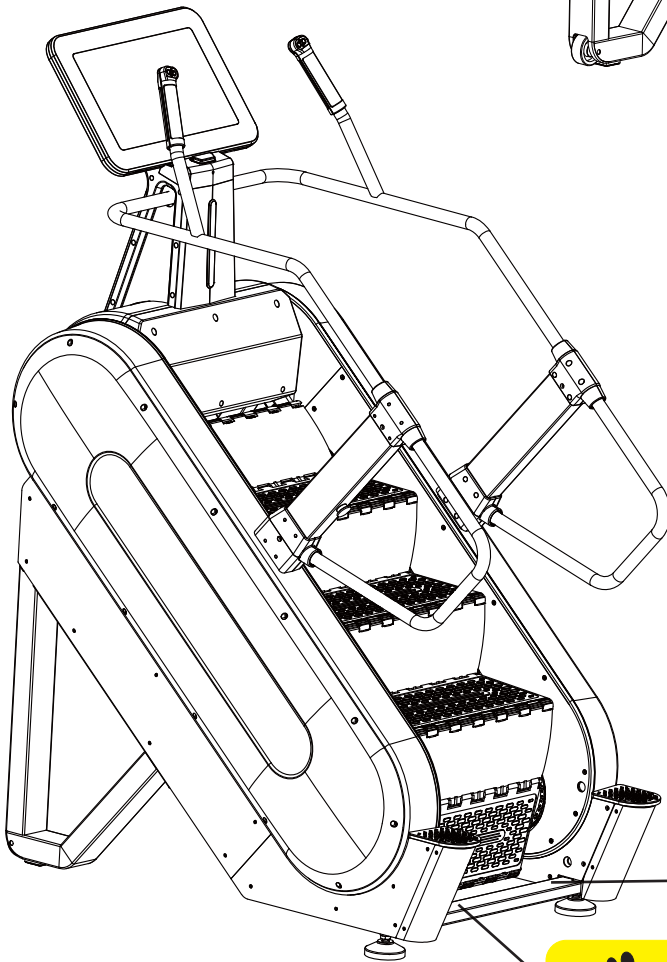
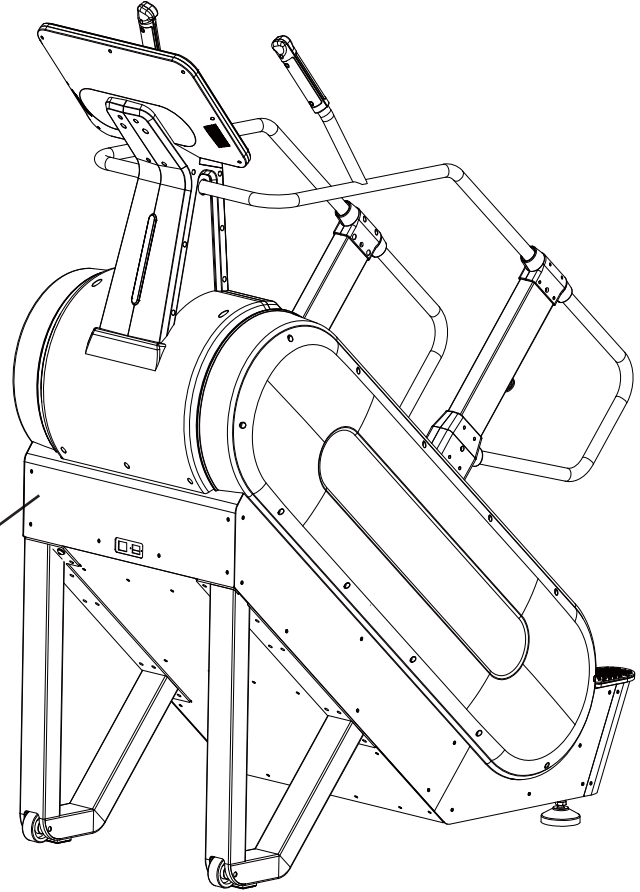
WARNING LABEL PLACEMENT

WARNING

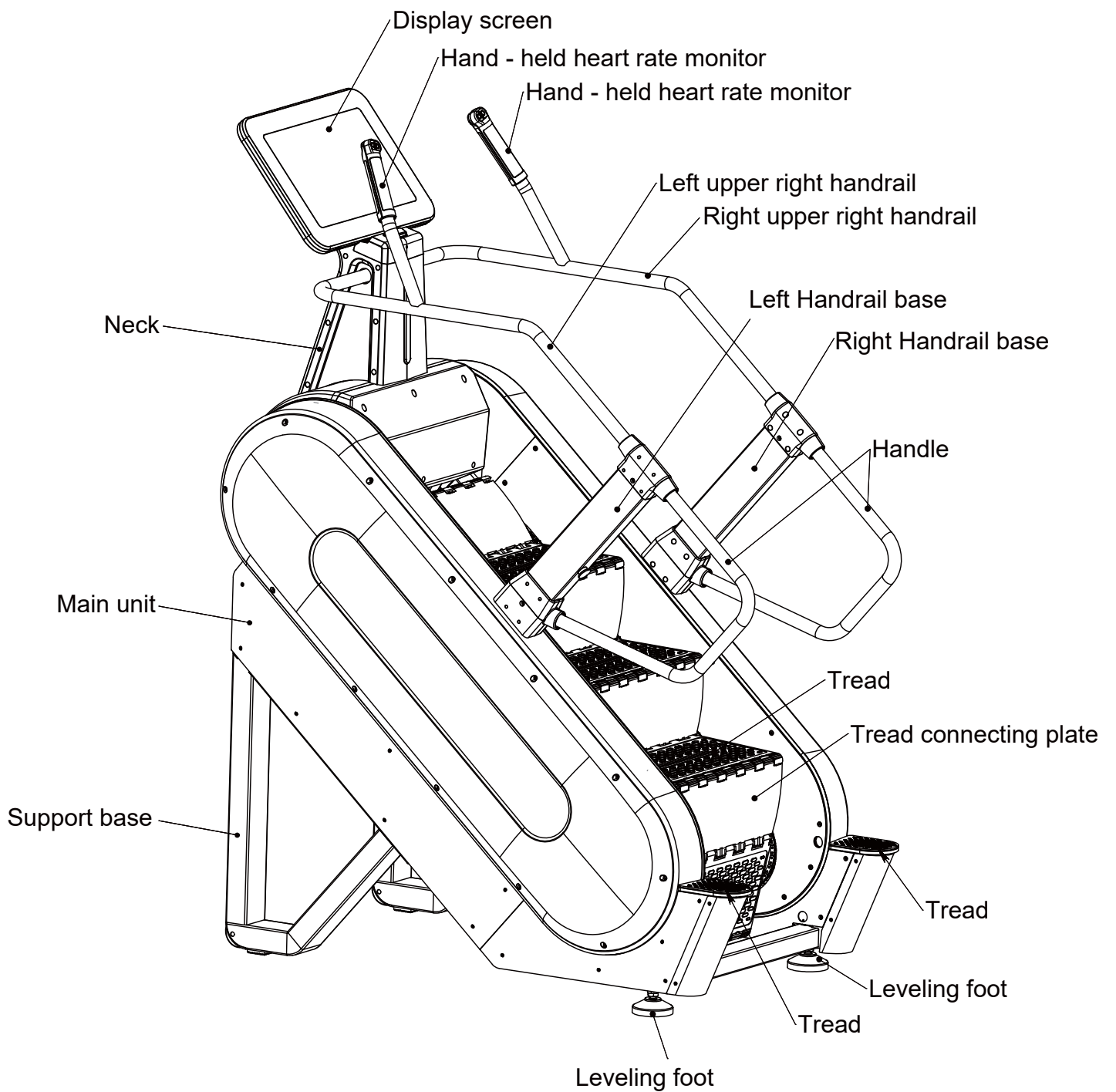
- Heart rate monitoring systems can be inaccurate. If you feel faint, stop exercising immediately.

WARNING

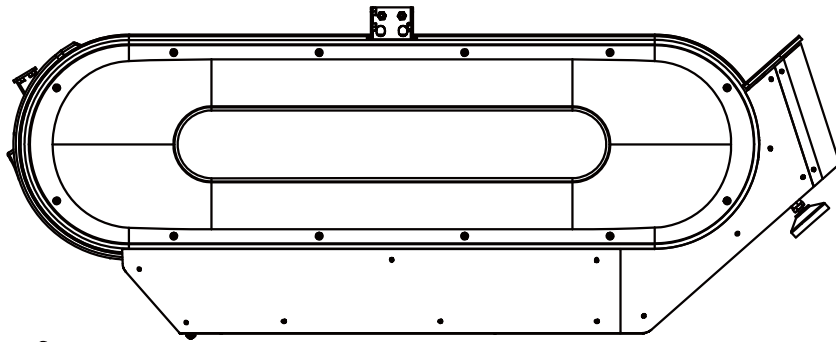
- Read the owner's manual. Follow all proper instructions prior to use and adhere to routine maintenance schedules.
1. Inspect equipment before each use. Replace all parts at the first sign of wear or damage. If in doubt about a certain part, **DO NOT** use the equipment until the part is replaced. Failure to replace worn or damaged parts may result in serious injury or even death.
 2. Replace any "Caution", "Warning", or "Danger" labels that are illegible or damaged.
 3. Use only genuine replacement parts. Failure to do so will void the warranty and could result in serious injury or even death.
 4. This equipment should only be used in a supervised environment.
 5. Children should not be allowed to use this equipment. To avoid possible injury, children should be kept at a safe distance when this equipment is in use.
 6. As with all exercise equipment or programs, consult a physician prior to use and stop if you feel faint, dizzy, or exhausted.
 7. Always wear closed toe shoes when operating this machine.
 8. Serious injury is possible if caution is not used while exercising on this machine.
 9. Keep body limbs, hair, and clothing clear of all moving parts.
 10. The last step should never be stepped on regardless of the stair climber's status.



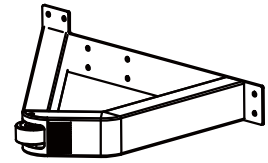
SCHEMATIC DIAGRAM OF STAIR MACHINE PARTS



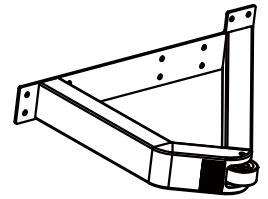
DETAILS OF STAIR MACHINE PARTS PACKAGING



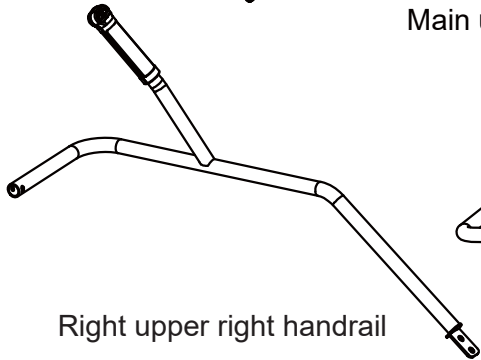
Main unit



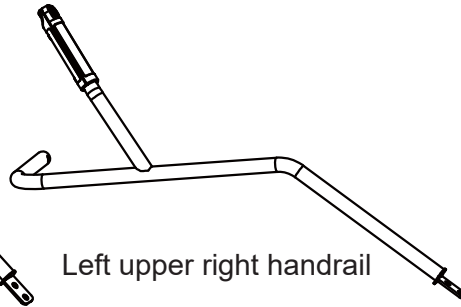
Right support base



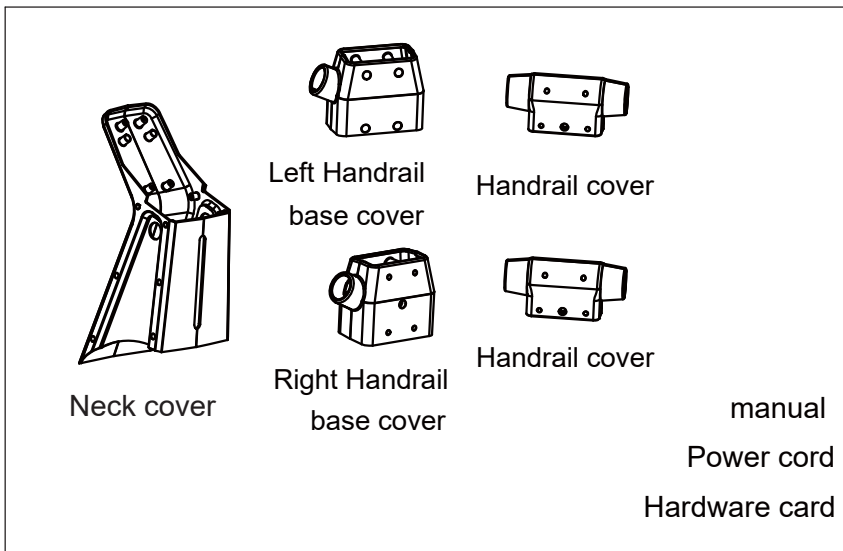
Left support base



Right upper right handrail



Left upper right handrail



Neck cover

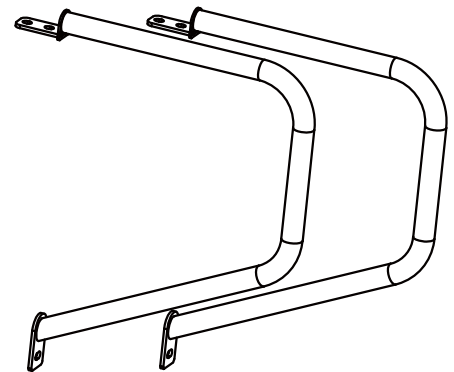
Left Handrail base cover

Handrail cover

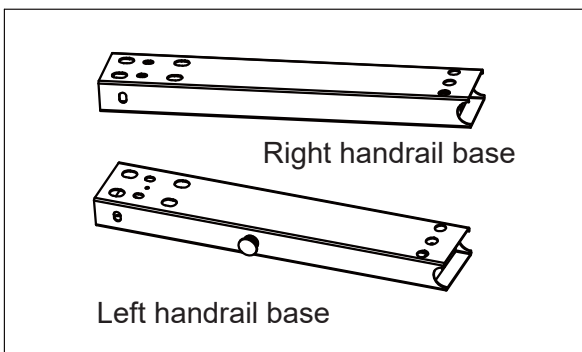
Right Handrail base cover

Handrail cover

manual
Power cord
Hardware card

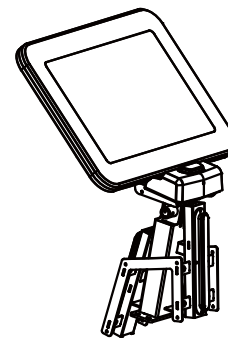


Handle



Right handrail base

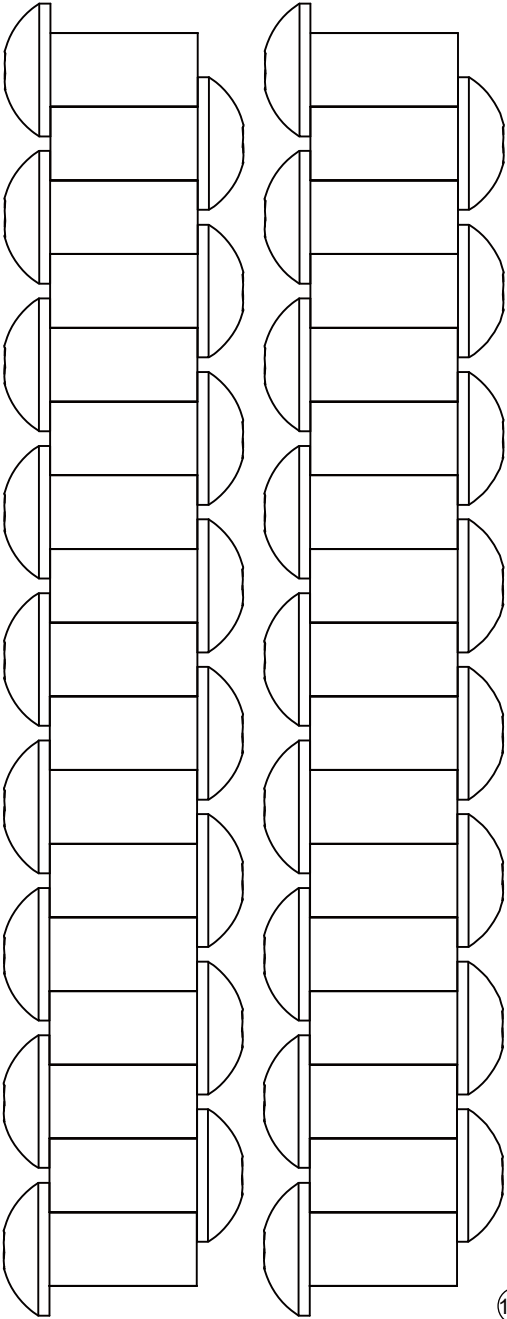
Left handrail base



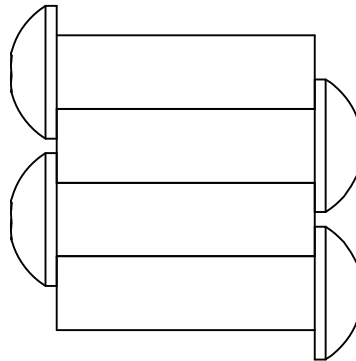
Neck with display screen

Parts list in the packing box

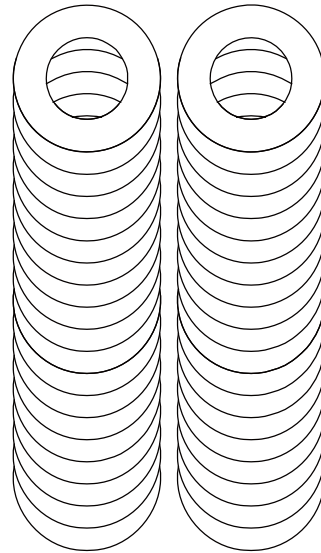
HARDWARE PACK



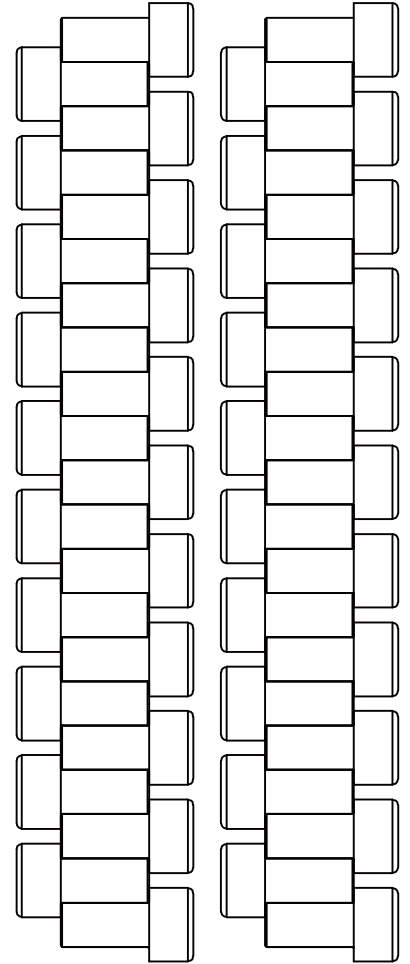
⑫① M10X20-34piece



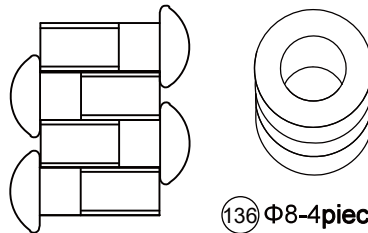
⑫④ M10X35-4piece



⑫④ Φ 10-38piece

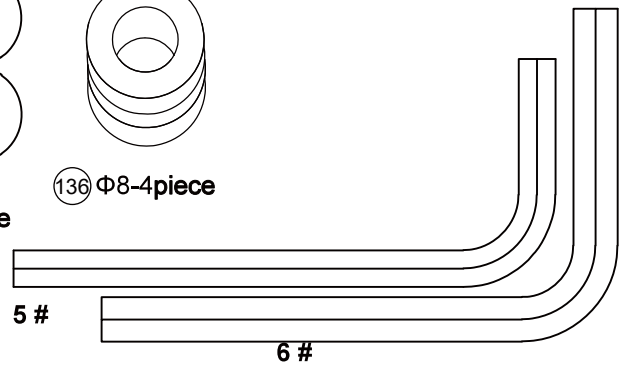


⑫⑦ M6X12-42piece
(Spareparts)4piece



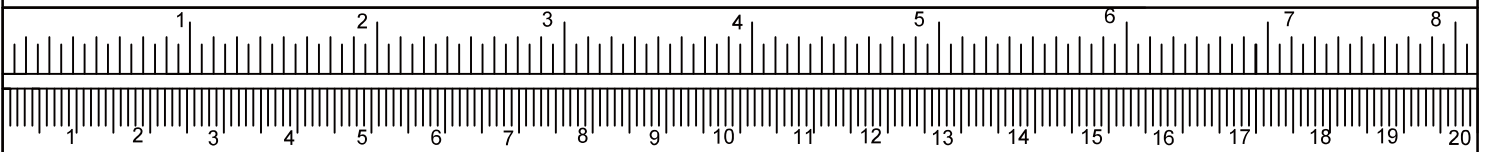
⑫⑤ M8X15-4piece

⑫⑥ Φ 8-4piece



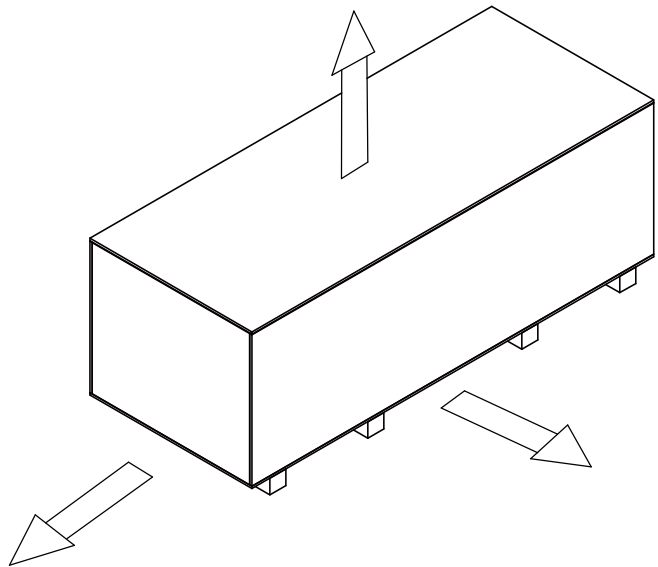
5 #

6 #

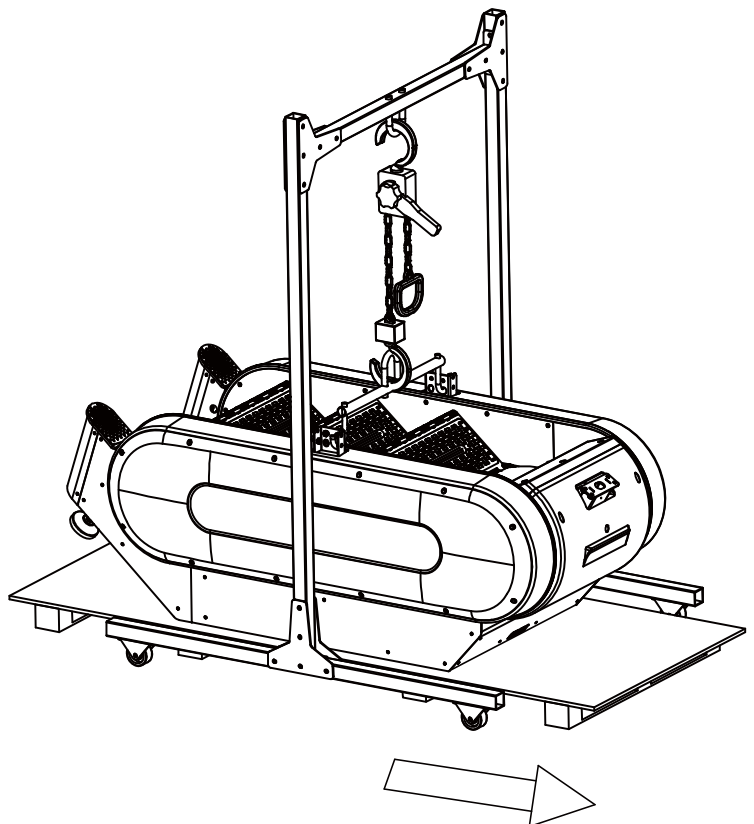


STEPS FOR UNPACKING THE PRODUCT

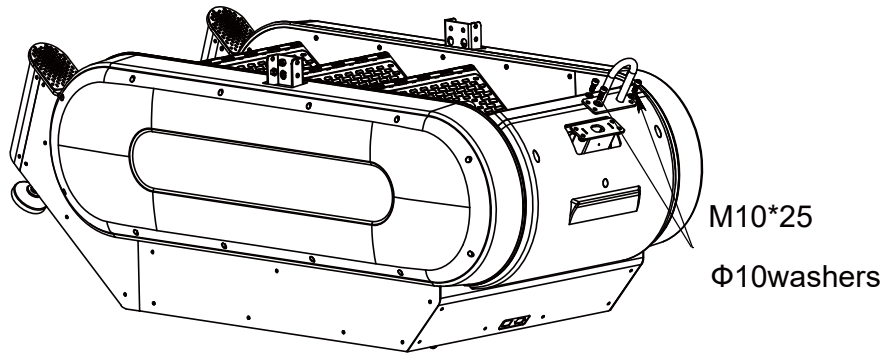
1. Remove the top cover and the surrounding covers of the wooden box. Take out all the internal accessories.



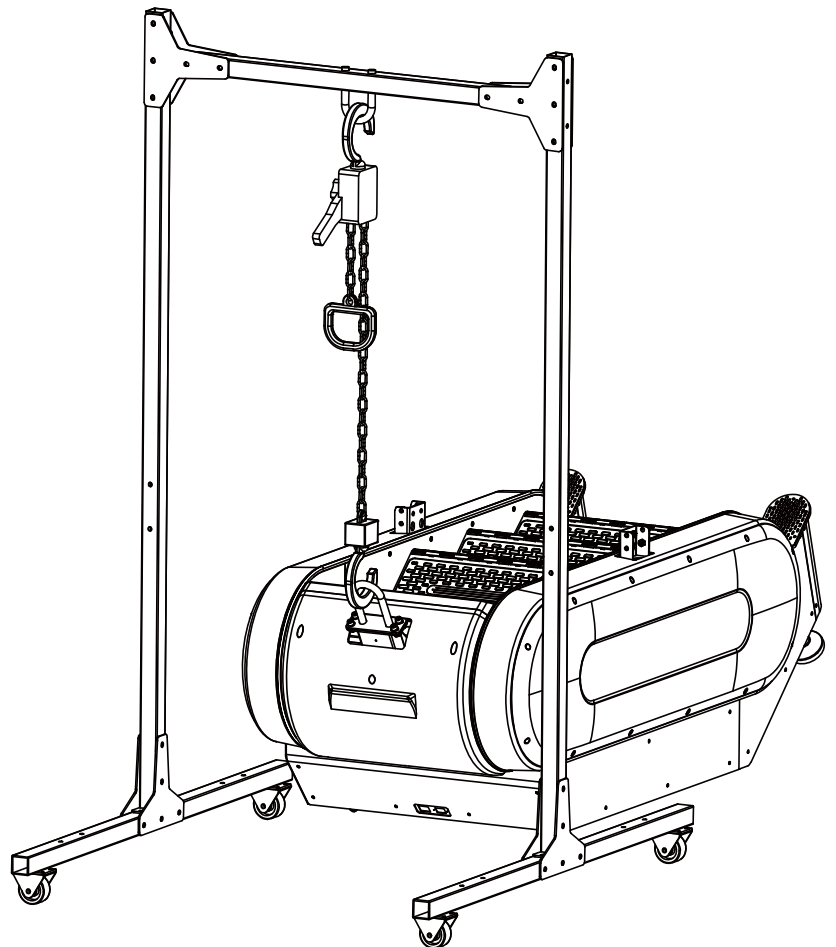
2. Lift the product at the position shown in the diagram, pull out the pallet, and then gently place the product on the ground. (Hoisting equipment is not essential for each product.)



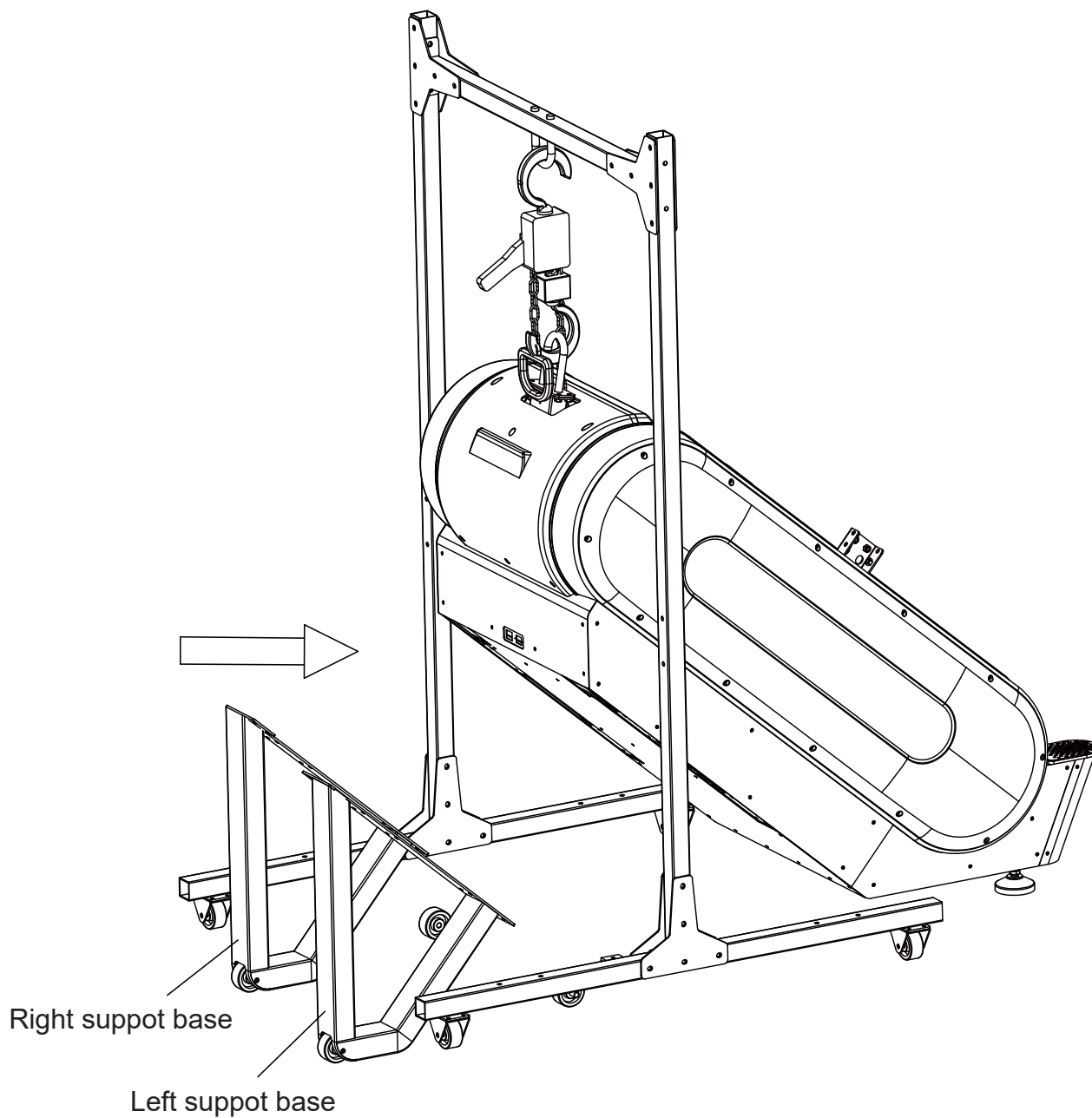
3. As shown in the figure, place the Bracket on the main unit and tighten them with four M10×25 bolts and four Φ10 washers.



4. As shown in the figure, Pull the product to an appropriate height and stop.



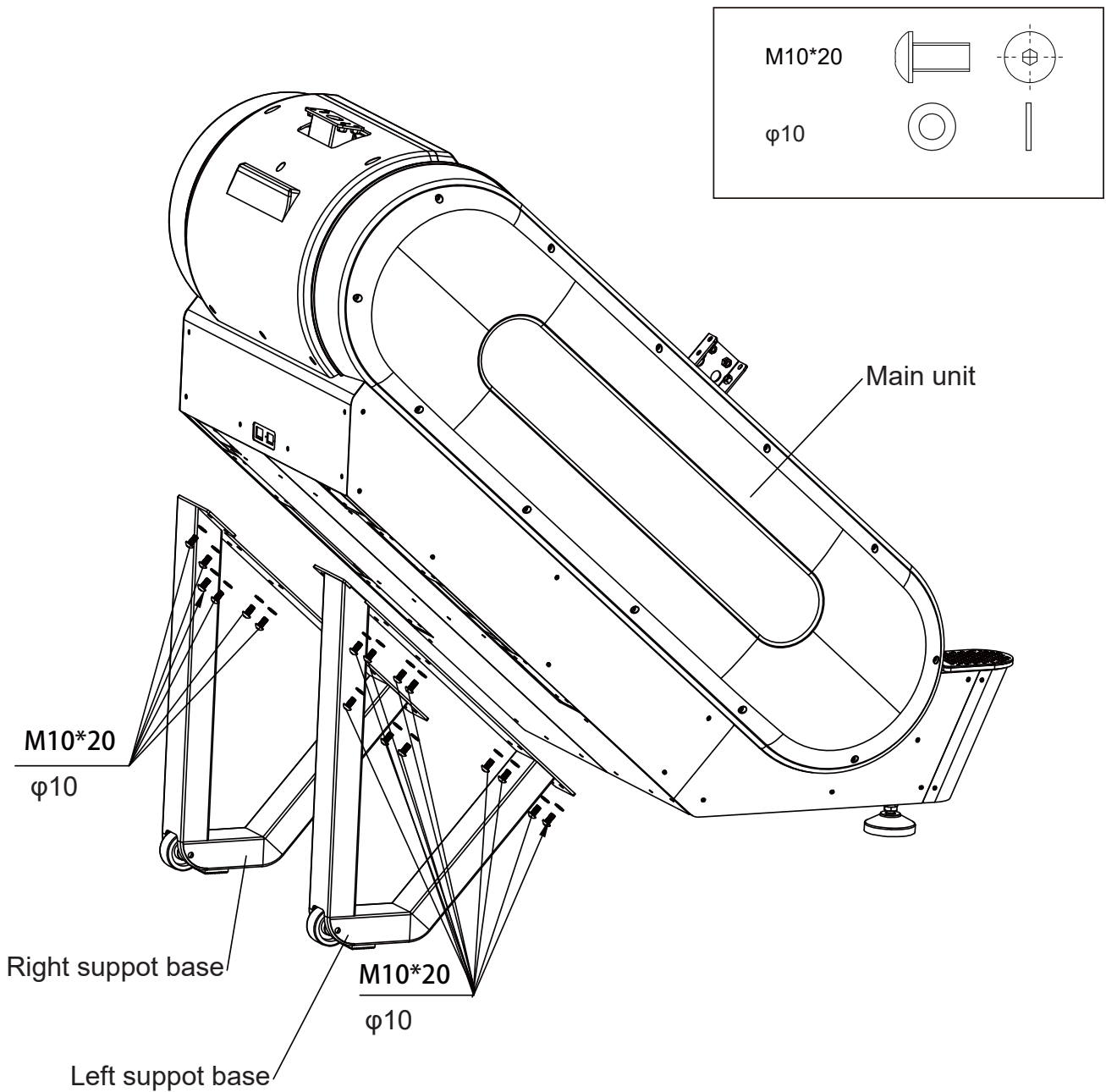
5. As shown in the figure, Place the two support bases under the Main unit in the direction indicated by the arrow. Then enter the product installation stage.



STAIR MACHINE INSTALLATION STEPS DIAGRAM

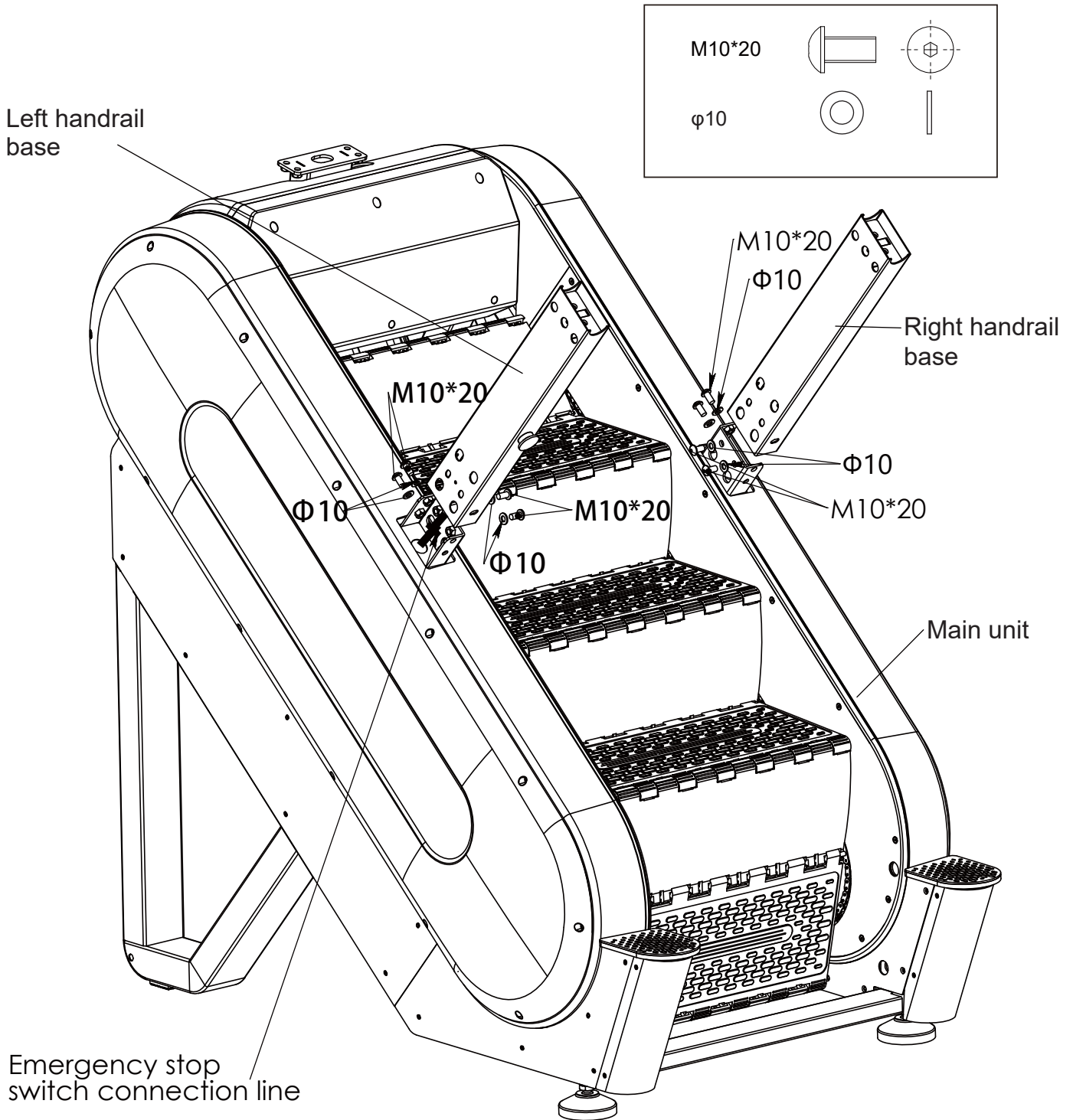
Step 1: Install the left and right support base

As shown in the figure, after taking out the main unit, install the two support base on the main unit according to the instructions in the figure, and tighten them with ten M10*20 allen bolts and $\phi 10$ washers on each side. (The main unit needs a support to stand up.)



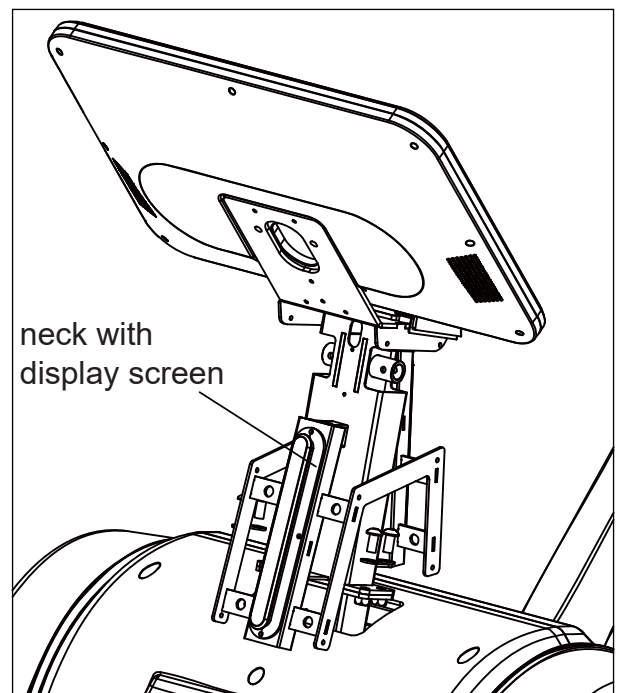
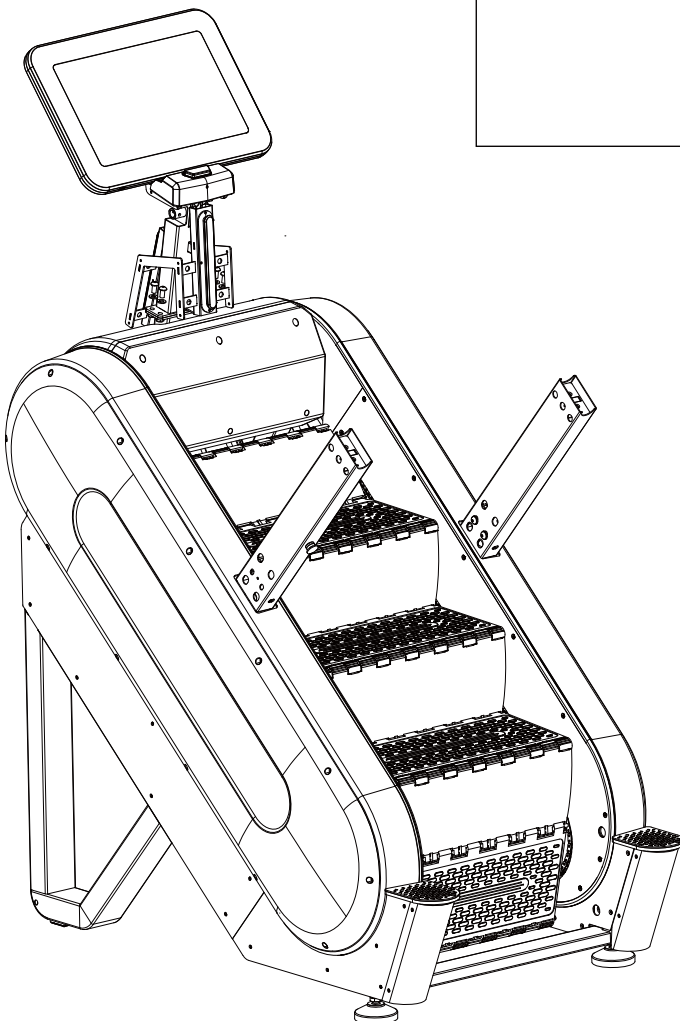
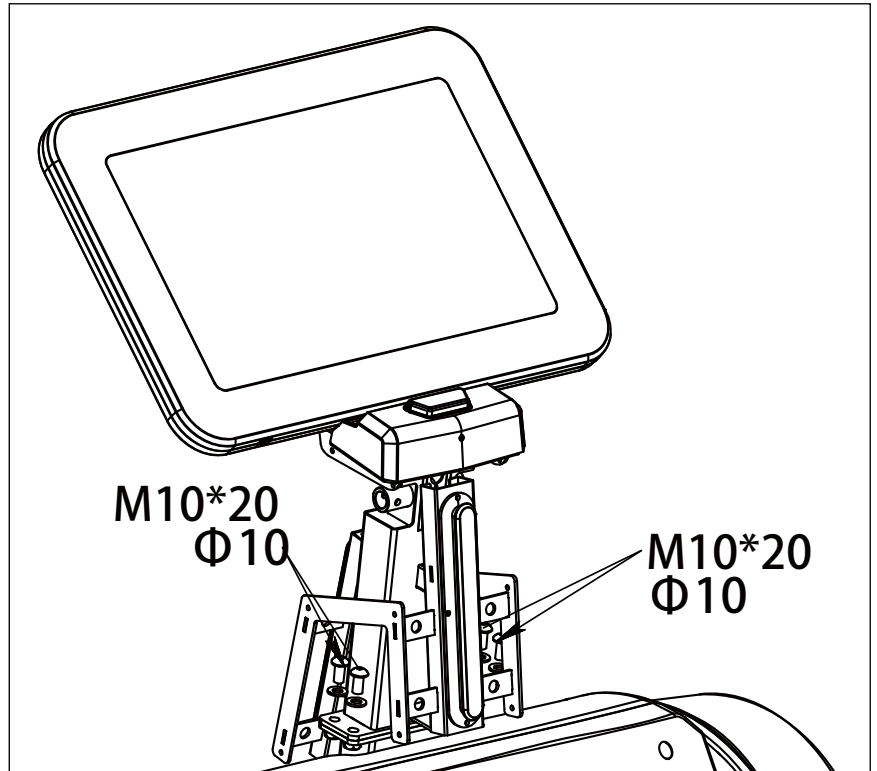
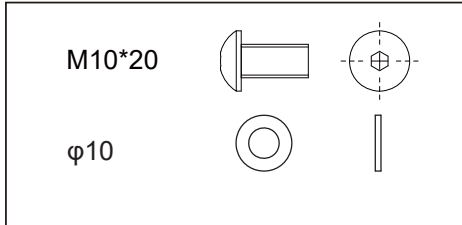
Step 2: Install the handrail base

As shown in the figure, take out the handrail base and install it according to the position shown in the figure, and fix the handrail base with four M10*20 allen bolts and four $\phi 10$ washers on each side. (Do not tighten the bolts yet)



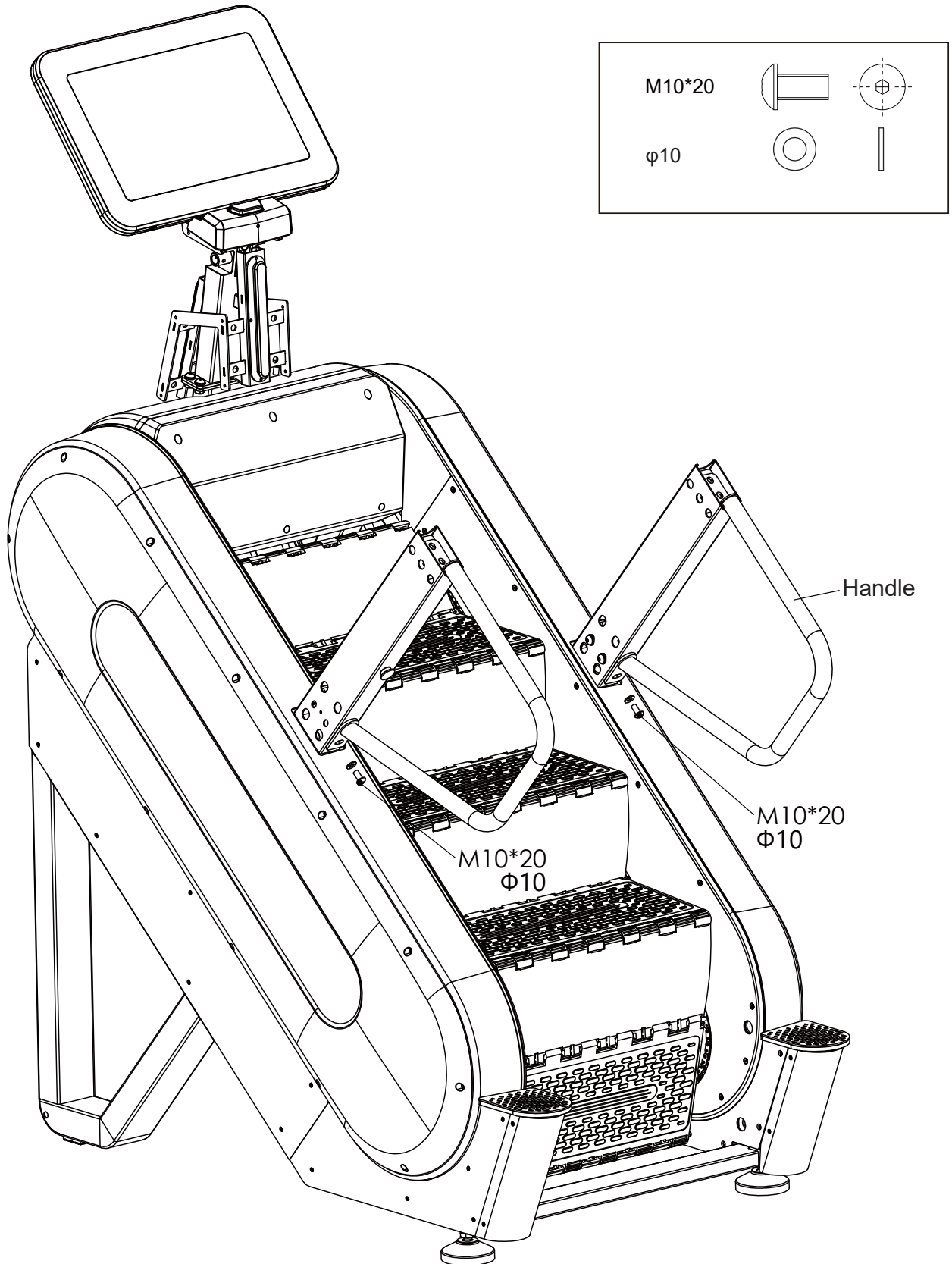
Step 3: Install the neck

As shown in the figure, take out the neck and install it according to the position shown in the figure. Fix the neck with display screen with two M10*20 allen bolts and two $\phi 10$ washers on each side, and tighten the bolts.



Step 4: Install the handle

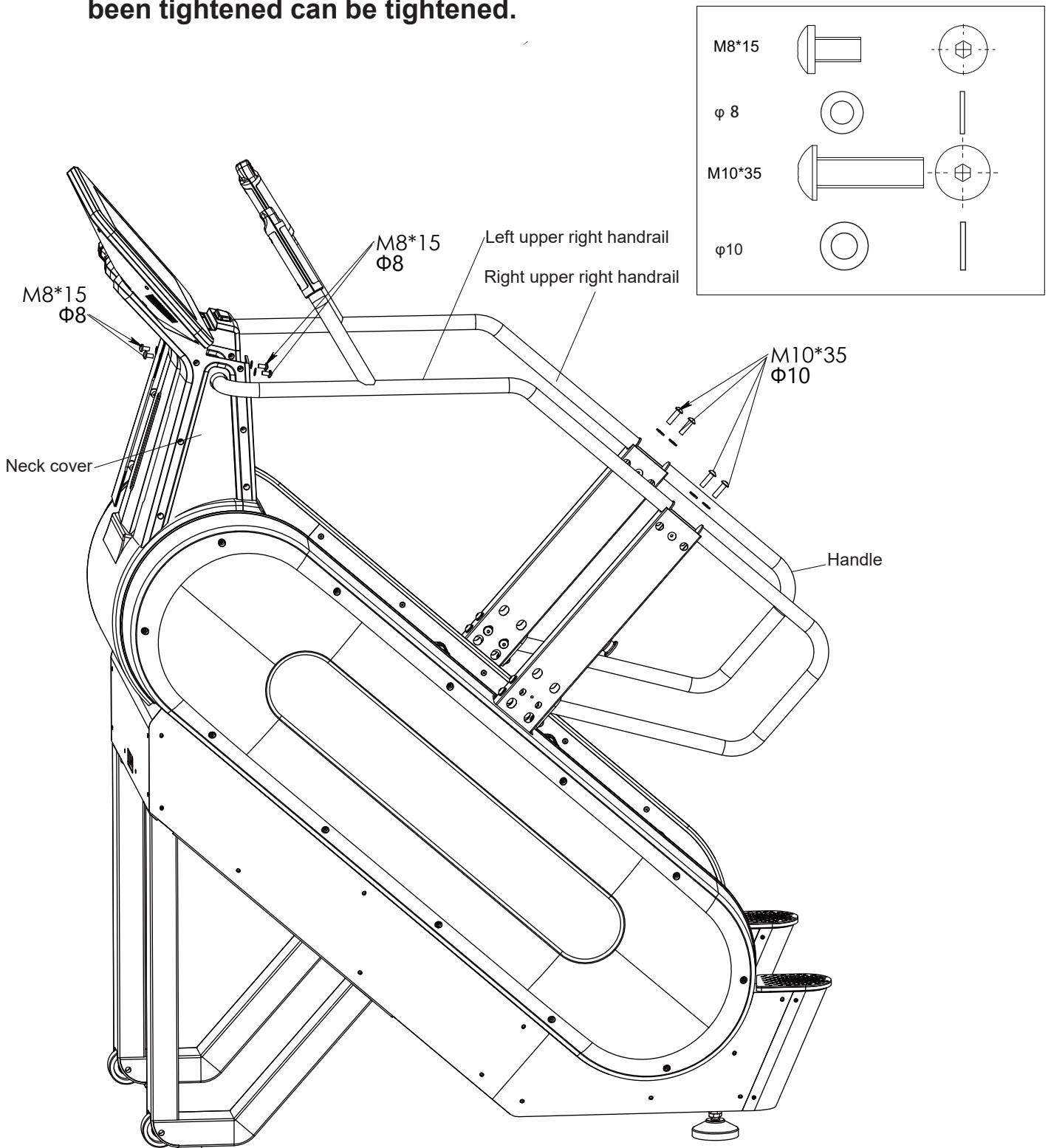
As shown in the figure, fix the handle with one M10*20 allen bolts and one $\phi 10$ washer on each side. Do not tighten the bolts for the time being.



Step 5: Install the left and right upper handrails

As shown in the figure:

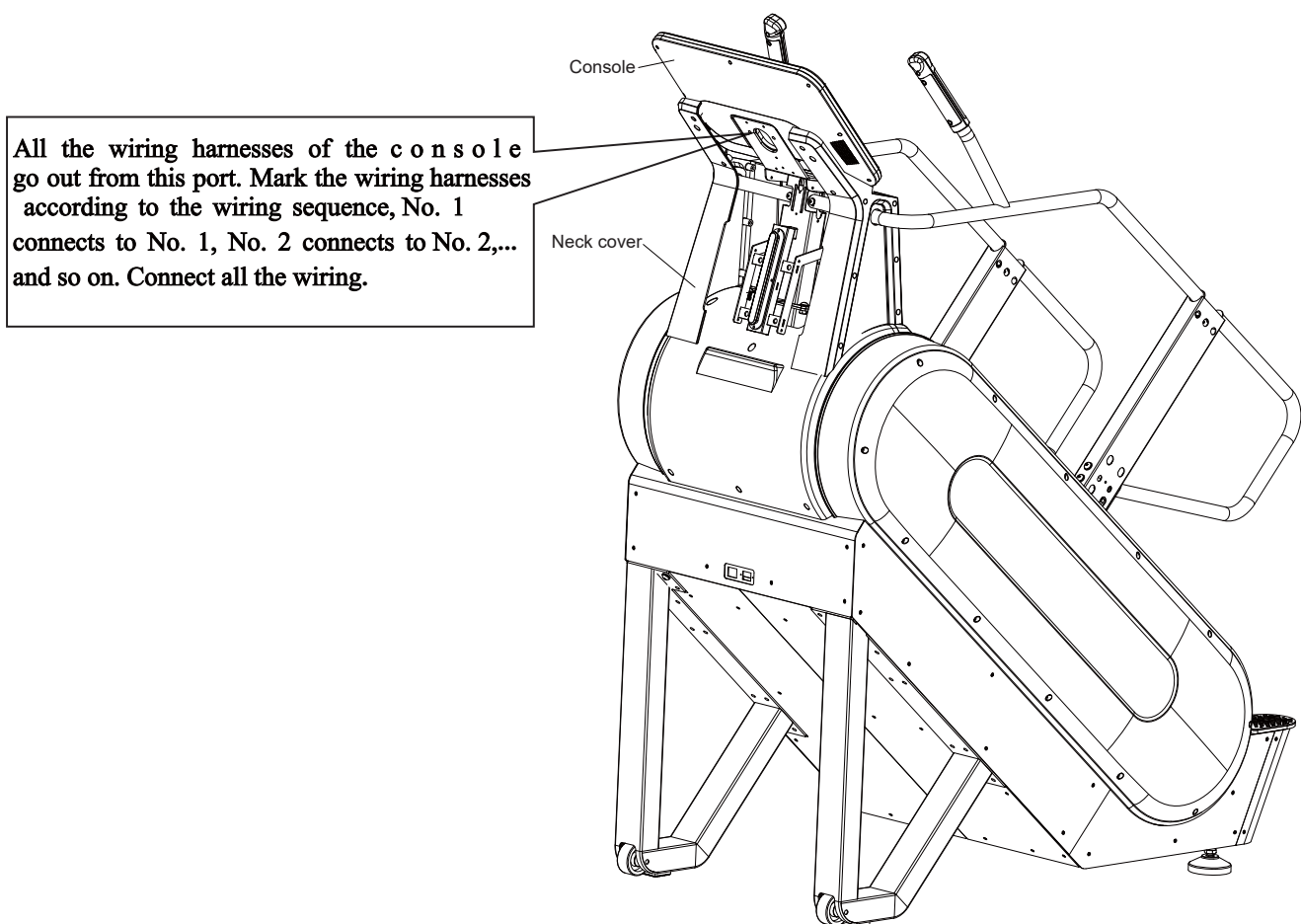
1. Fix the left and right upper handrails and handles with two M10*35 allen bolts and four $\phi 10$ washers on each side.
2. Fix the left and right upper handrails with four M8*15 allen bolts and four $\phi 8$ washers. Before fixing the upper handrails laterally, you need to place the neck cover in the position shown in the figure.
3. At this time, all the bolts that have not been tightened can be tightened.



Step 6: console installation and wiring

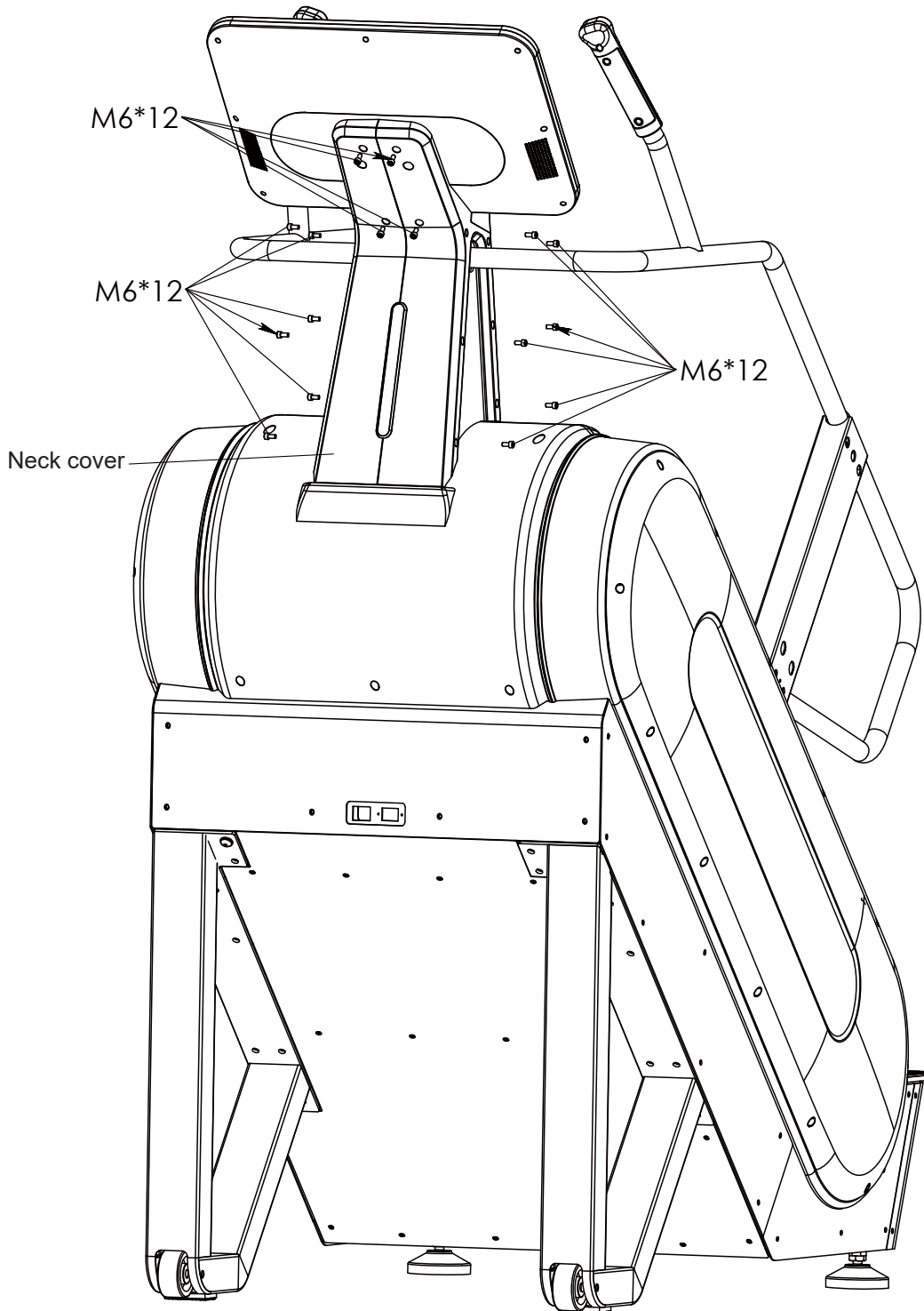
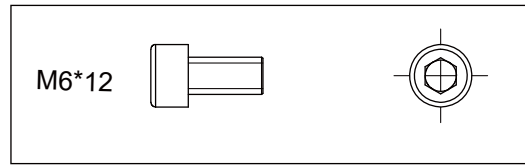
As shown in the picture, 1. All the wiring harnesses of the console pass through this opening. Pay attention to the stability here to prevent them from falling off.

2. Connect each wiring harness according to the wiring sequence. Connect No. 1 to No. 1, No. 2 to No. 2, and so on. Connect all the wiring harnesses in this way.



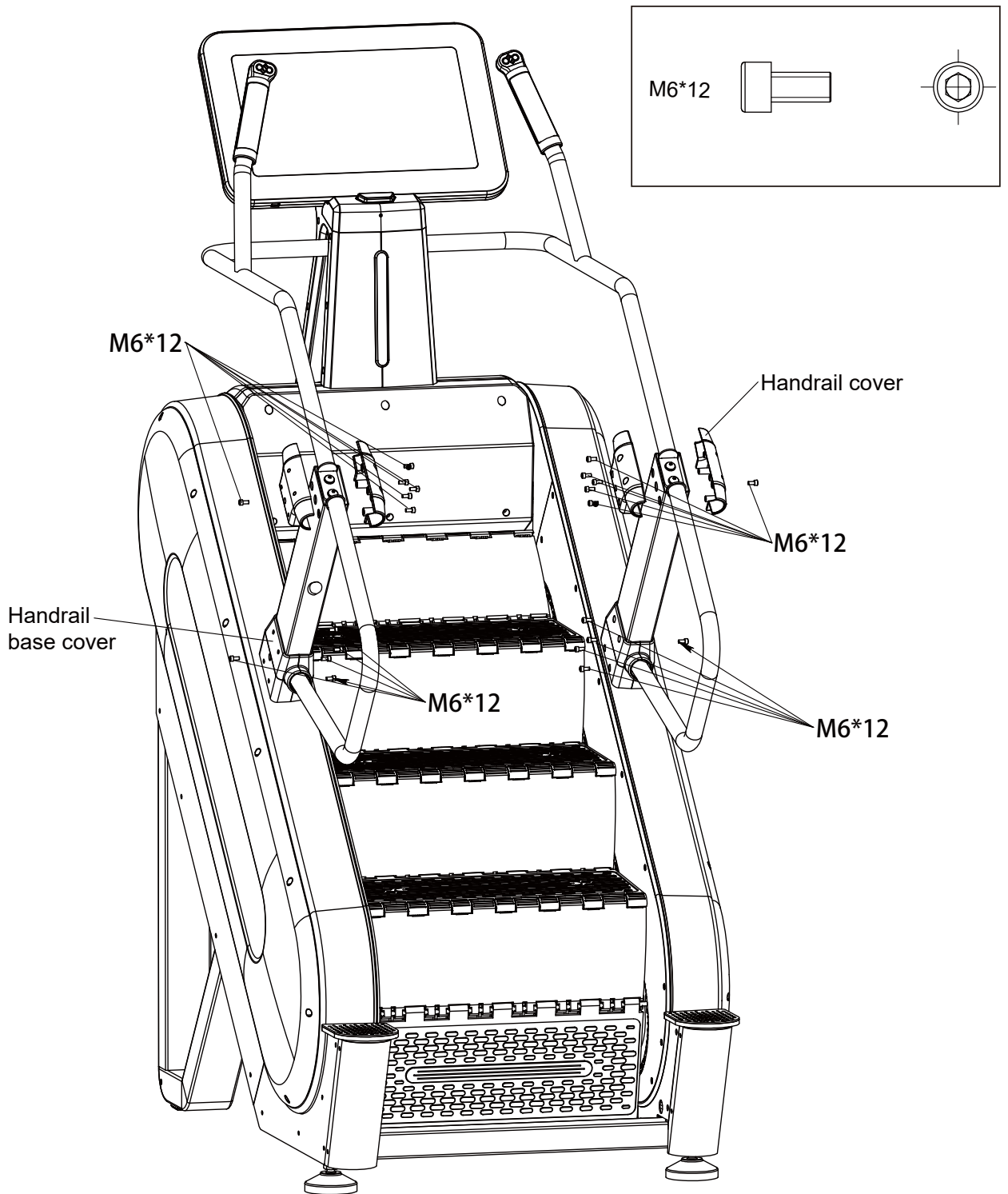
Step 7: Install the neck cover

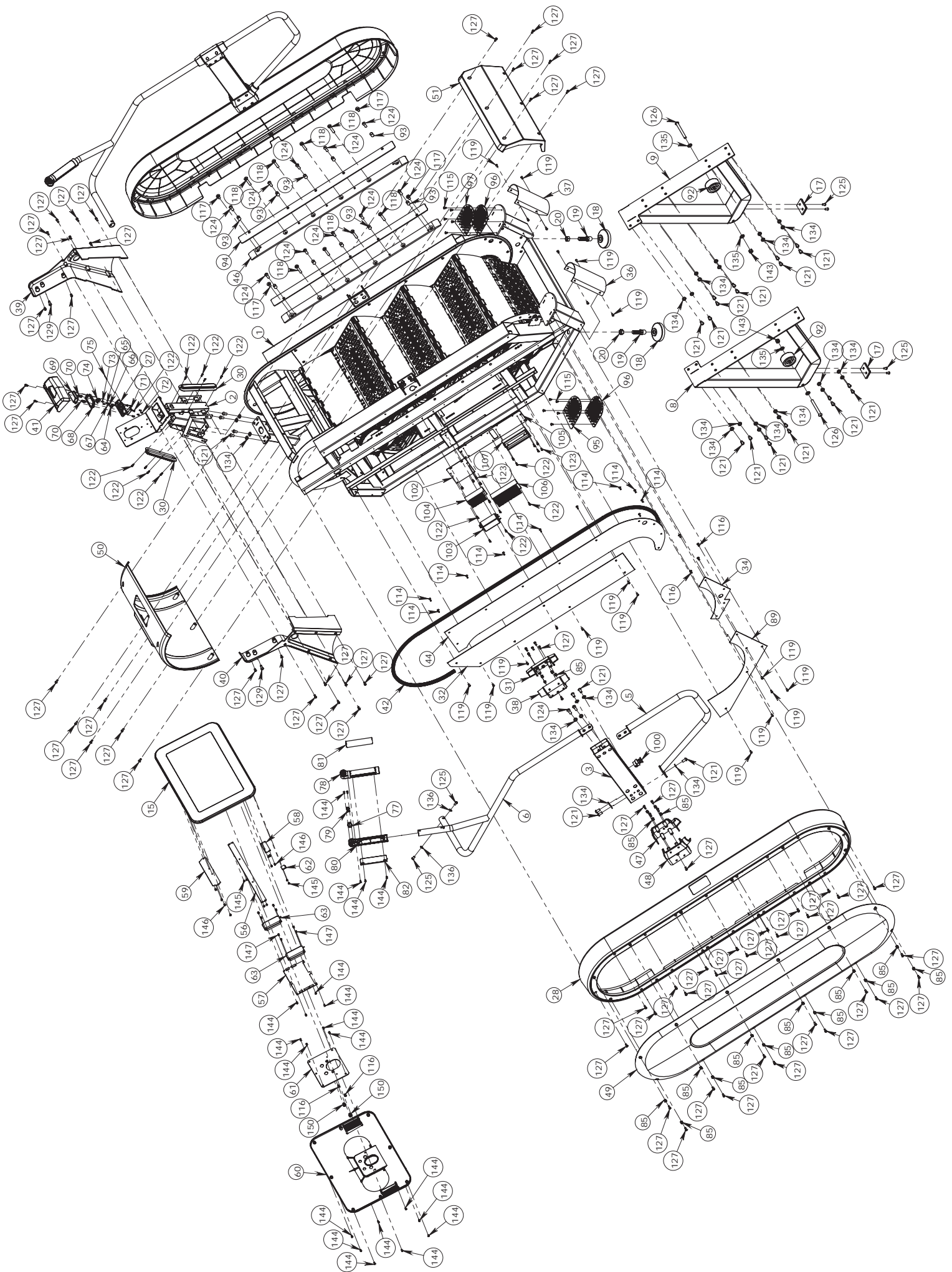
As shown in the figure, a total of twelve M6*12 hex socket head cap bolts are used to fix the left neck cover, four M6* 12 hex socket head cap bolts are used to fix the back.

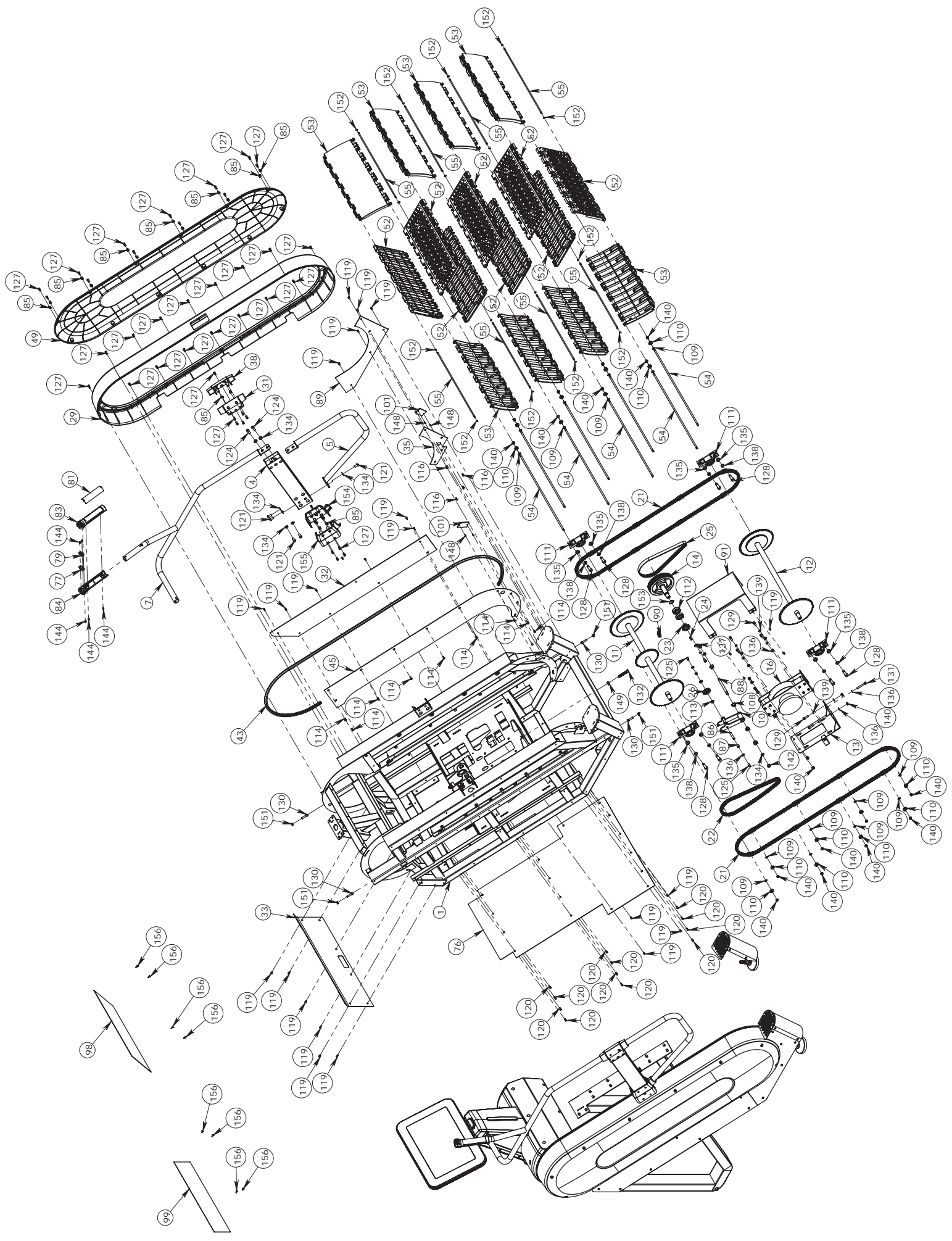


Step 8: Assembly of handrail cover and handrail base cover As shown in the figure,

- 1. Six M6*12 hex socket head cap bolts are used to fix handrail cover on each side .**
- 2. Fix the handrail base cover with five M6*12 hex socket head cap bolts on each side.**







PARTS LIST

Part#	Description	Size	Qty
1	Main unit frame		1
2	Assemble and weld the upper column		1
3	Left handrail base		1
4	Right handrail base		1
5	Handle		2
6	Left upper right handrail		1
7	Right upper right handrail		1
8	Left support base		1
9	Right support base		1
10	Assemble and weld the chain adjusting plate		1
11	Front gear carrier		1
12	Rear gear carrier		1
13	Assembly welding of magnetic control wheel fixing seat		1
14	Drive the pulley frame		1
15	Display screen		1
16	Magnetic control wheel combination		1
17	Floor mat combination	50×70×10	3
18	Leveling foot		2
19	Universal Bolt		2
20	M16 nut	M16	2
21	Large chain combination		2
22	Small chain combination		1
23	Small drive gear		1
24	5X5 keyway		1
25	320J8 drive belt		1
26	Idler gear		1
27	Hand-clap switch base		1
28	Inside the left-hand shield		1
29	Inside the right-hand shield		1
30	Transparent cover	241.8×36×18	2
31	Right Handrail cover		2
32	Side Guard	117.4×187.9×2	2
33	Front guard	765×235.9×2	1
34	Left inner guard plate of outrigger	319.4×254.1×2	1
35	Right of inner guard plate of outrigger		1
36	Left leg trim cover	313.6×194.3×2	1
37	Right leg trim cover	316.4×195.1×2	1
38	Left Handrail cover		2
39	Right Neck cover		1
40	Left Neck cover		1
41	Top shield		1
42	Trim strip right		1
43	Trim strip left		1
44	Left inner guard	1292.9×416×3	1
45	Right inner guard		1

46	Support Plate		2
47	Right cover of left handrail base		1
48	Left cover of left handrail base		1
49	Exterior trim cover		2
50	Upper shield		1
51	In front of the upper shield		1
52	Tread		8
53	Tread connecting plate		8
54	Pedal link bar	Φ8×647	8
55	Pedal short connecting shaft	Φ6×556	8
56	Baffle		1
57	Circuit Board		1
58	Mainboard		1
59	circuit board		1
60	Lower case of small watch		1
61	Fixed plate of small electronic watch	200×166×4	1
62	USB circuit board		1
63	Loudspeaker box		2
64	Connector		1
65	Roller		1
66	Small pin shaft		1
67	Bend plate		1
68	Hand-clap switch frame		1
69	Hand-clap switch seat		1
70	Hand clap switch spring		2
71	Hand plate switch baseplate		1
72	Cross Recessed Mushroom Head Tapping Screws	ST3.5X12	3
73	Paddle spring		2
74	Switch limit seat		1
75	Paddle fixed shaft		1
76	Bottom guard	1040×759×1.5	1
77	Key circuit board		2
78	The upper left hand holds the heartbeat seat		1
79	12X12 key switch		4
80	Hold the heartbeat seat with the left hand		1
81	Up-Hand - held heart rate monitor		2
82	Lower-Hand - held heart rate monitor		2
83	Hold the heartbeat seat on the right hand		1
84	Hold the heartbeat seat with the right hand		1
85			
86	Chain adjusting shaft	Φ10×50.5	1
87	Limit Sleeve	Φ13×Φ11×10	2
88	The idler block holds the shaft	Φ12*131.5	1
89	Under the side guard		2
90	Tension Spring		1
91	Magnetoresistive shield	579.8×330×2	1
92	Move wheel 1		3
93	Support plate sleeve	Φ15×1.5×22.5	16

94	Upper support plate		2
95	Left Tread		1
96	PVC Tread		2
97	Right Tread		1
98	PS board 1		1
99	PS board 2		1
100	Emergency stop switch		1
101	Photoelectric sensing plate		2
102	Filter fixing plate	579.8×330×2	1
103	Small filter		1
104	Touch screen controller		1
105	Electric appliance fixing plate	395×114×2	1
106	Power adapter		1
107	Lower control panel of stair machine		1
108	Sleeve	Φ25×Φ12	4
109	Nylon Washer		16
110	Bearing	608-D22	16
111	Universal bearing seat		4
112	bearing	6005	2
113	bearing	6800	2
114	Hexagon Socket Countersunk Head Screws	M6×12	20
115	Hexagon Socket Countersunk Head Screws	M6×12	38
116	Hexagon Socket Countersunk Head Screws	M6×14	10
117	Hexagon Socket Countersunk Head Screws	M10×25	4
118	Hexagon Socket Countersunk Head Screws	M10×70	8
119	Allen bolt	M6×12	46
120	Allen bolt	M6×20	12
121	Allen bolt	M10×20	34
122	Cross Recessed Mushroom Head Tapping Screws	ST4.0×12	22
123	Allen bolt	M6×10	6
124	Allen bolt	M10×35	14
125	Allen bolt	M8×15	10
126	Hexagon Socket Flat Head Screw	M12×110	2
127	Hexagon Socket Head Cap Screw	M6×12	108
128	Hexagon Socket Head Cap Screw	M12×50	8
129	Hexagon Socket Head Cap Screw	M8×25	10
130	Hexagon Socket Head Cap Screw	M8×30	4
131	Hexagon Socket Head Cap Screw	M8×55	1
132	Hexagon Socket Head Cap Screw	M10×60	1
133	Hexagon Socket Head Cap Screw	M8×16	1
134	Washer	Φ10	48
135	Washer	Φ12	12
136	Washer	Φ8	16
137	Washer	Φ8.5×Φ24×1.5	1
138	Spring Washer	Φ12	8
139	Spring Washer	Φ8	7
140	Nylon Lock Nut	M8	21
141	Nylon Lock Nut	M10	8

142	Nylon Lock Nut	M10	2
143	Nylon Lock Nut	M12	2
144	Cross Recessed Mushroom Head Tapping Screws	ST3.5×12	26
145	Cross Recessed Mushroom Head Tapping Screws	ST3.5×12	6
146	Cross Recessed Mushroom Head Tapping Screws	ST3.5×12	8
147	Cross Recessed Mushroom Head Tapping Screws	ST4.0×12	8
148	Cross Recessed Mushroom Head Tapping Screws	ST3X12	4
149	Hexagon nut	M10	1
150	Flat Head Hexagon Riveted Nuts	M8	2
151	Hexagon nut	M10	4
152	“E” Rings		16
153	Retaining Rings for Shaft	Φ25	1
154	Right cover of right handrail base		1
155	Left cover of right handrail base		1
156	Cross Recessed Pan Head Drilling Screw	ST4.2×15	8

TOUCHSCREEN CONSOLES

Introduction

This model genuinely integrates the Android system into the fitness equipment industry, featuring a high-performance 18.5-inch capacitive touchscreen as the interface, providing a smooth and engaging control experience; The Android system fully enhances the entertainment aspect, offering greater interactivity and making your workouts far from monotonous!

Since this stair climber employs the Android system, the startup process takes longer. When the screen displays the main interface, the startup is complete. Please be patient.

The standby screen displays, from left to right, the Settings button, Start button, Quick Start button, Multilingual Settings, and Entertainment button.

Standby Screen

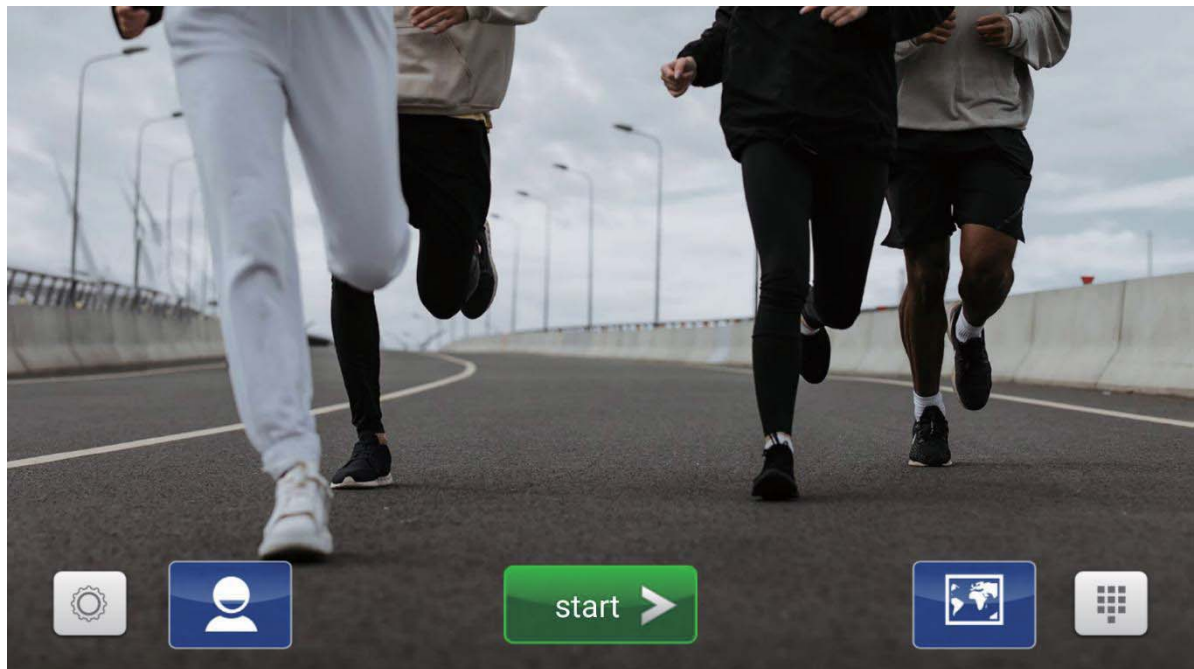


Fig.1

1. Settings

The password for basic application settings is 886127.

1.1 Backend Settings

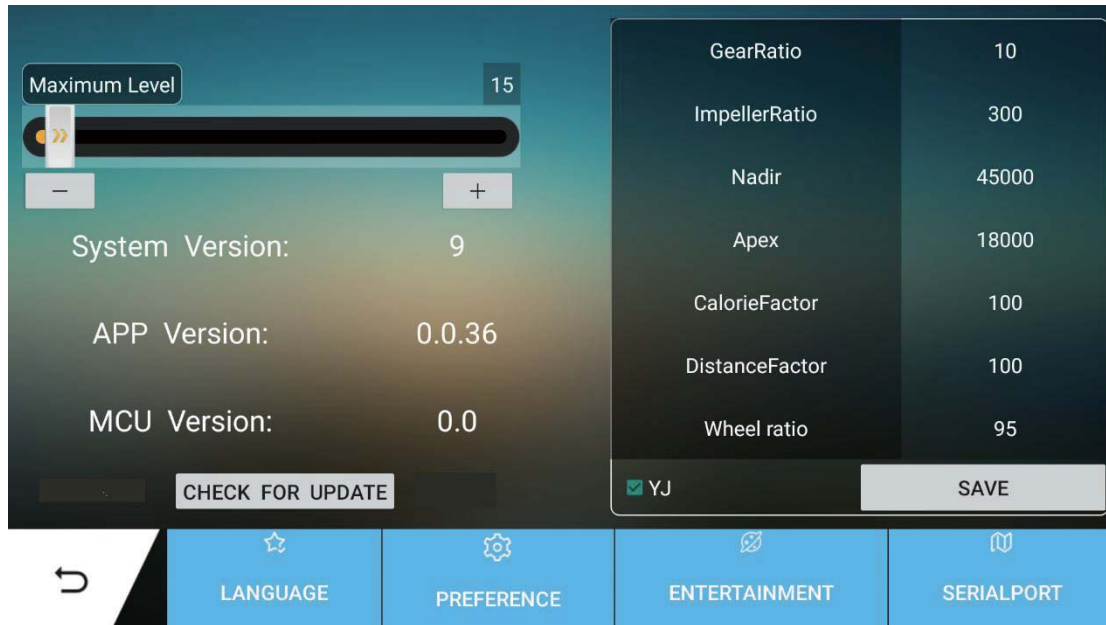


Fig.2

1.2 Multilingual Settings

Includes 10 languages: Simplified Chinese, English, Spanish, Portuguese, Russian, Korean, French, Japanese, Czech, and German.

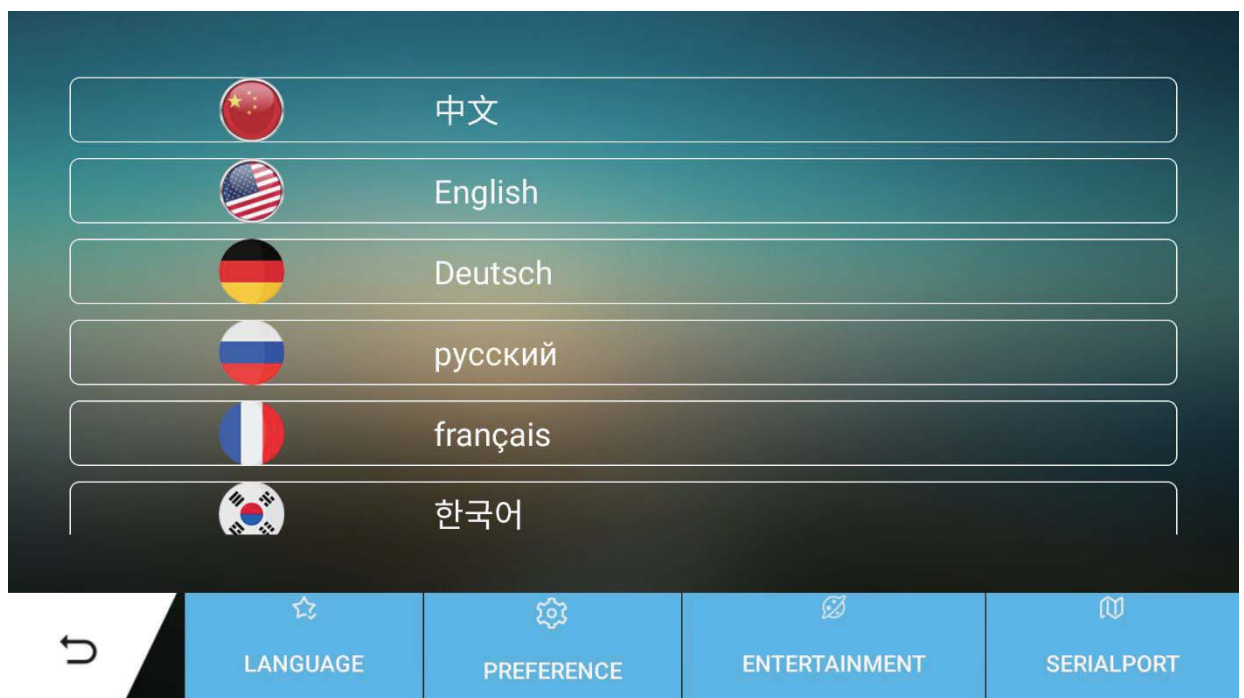


Fig.3

2. Quick Start



Fig.4

The workout screen provides three different display modes, which can be switched using the left and right arrows. By default, the three display modes cycle automatically.

Dial Display Mode

The left side displays calories burned, the right side shows distance traveled, and the center displays workout time.

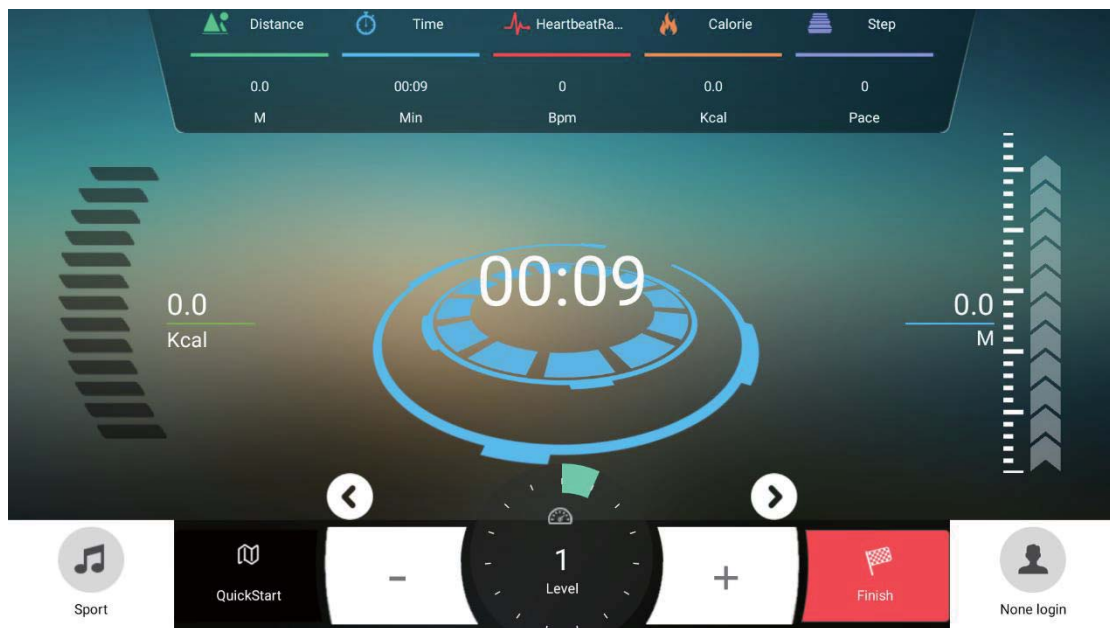


Fig.5

Exercise Level Adjustment – Tap the level increase/decrease buttons at the bottom to open the exercise level adjustment interface. Swipe on the interface to quickly adjust the speed. Tap “Level” again to hide it.

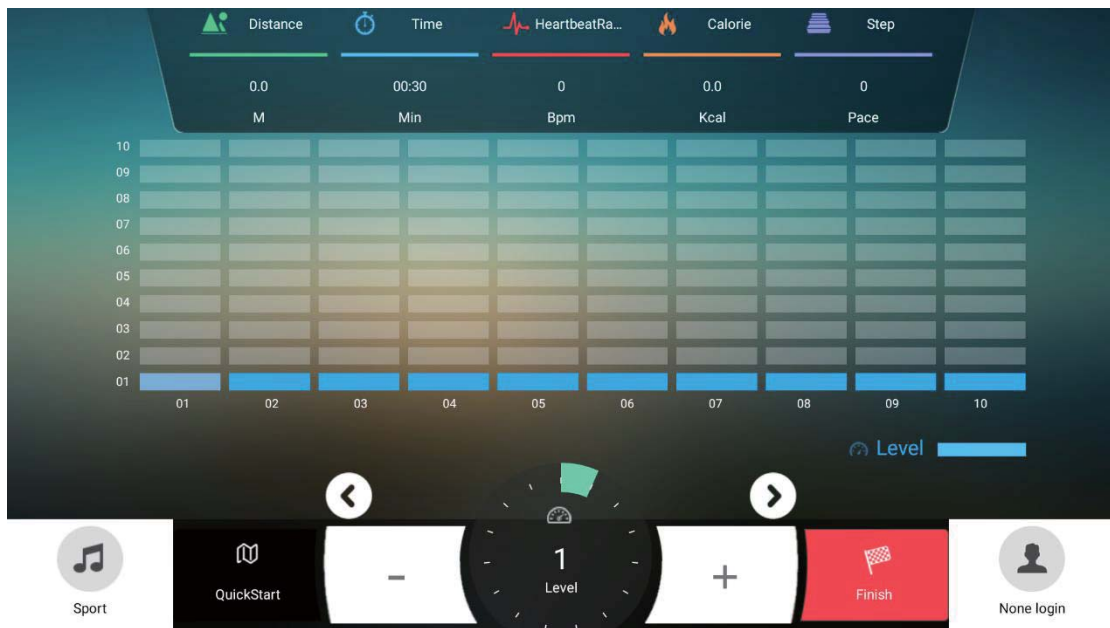


Fig.6

Track Display Mode

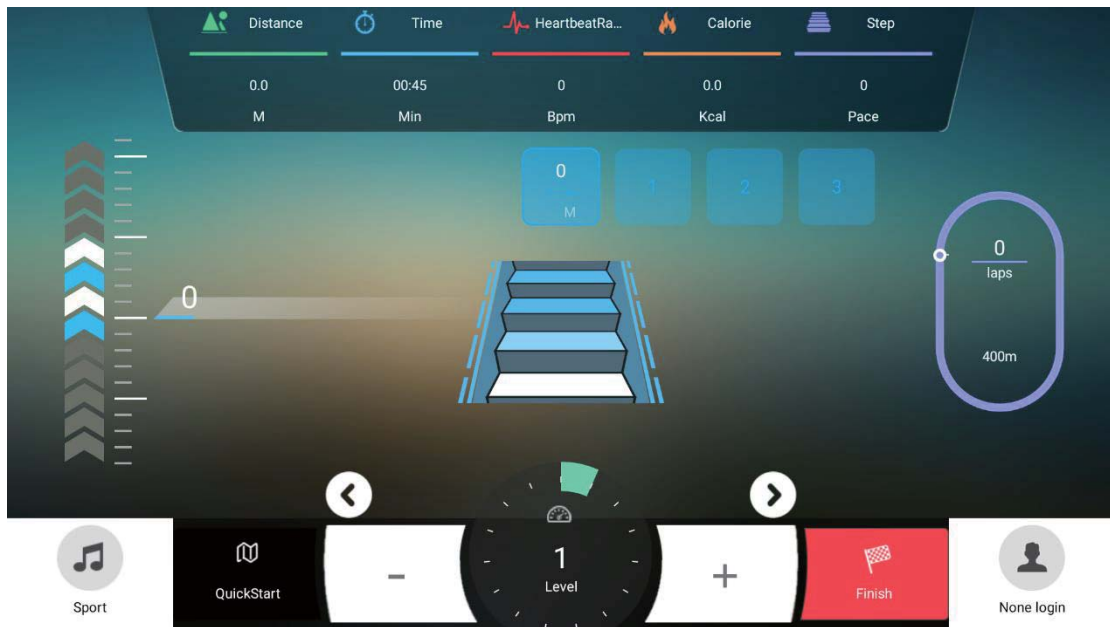


Fig.7

Level Display Mode

Display level segmented by time.

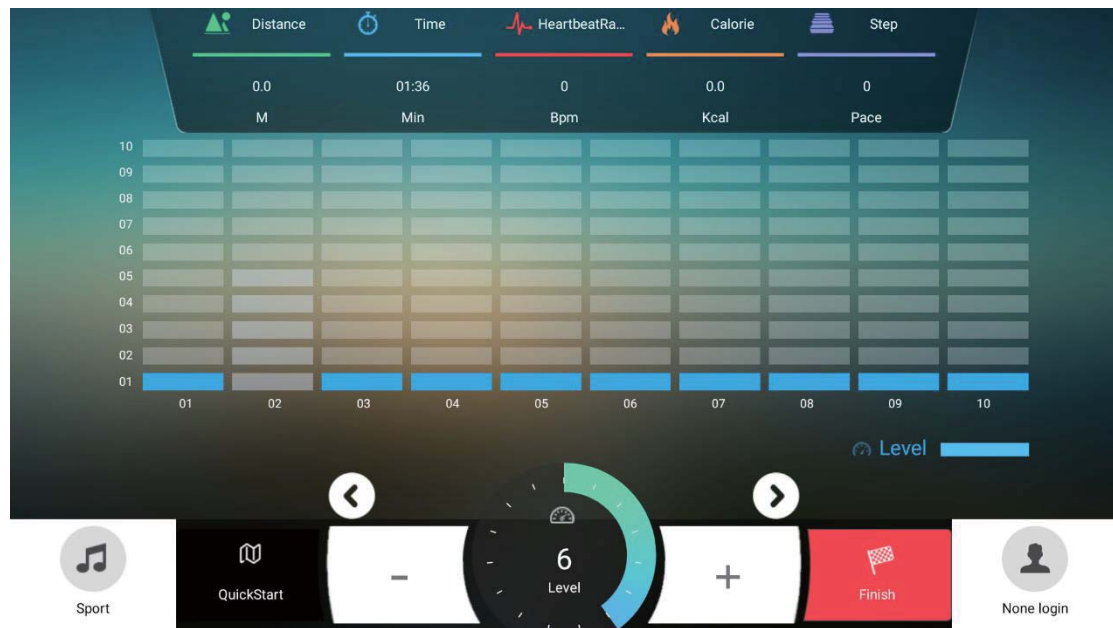


Fig.8

Exercise Results Page

The exercise report page displays Exercise time, Climb altitude, Avg level, Cadence, Calorie, Step, and Avg heart.

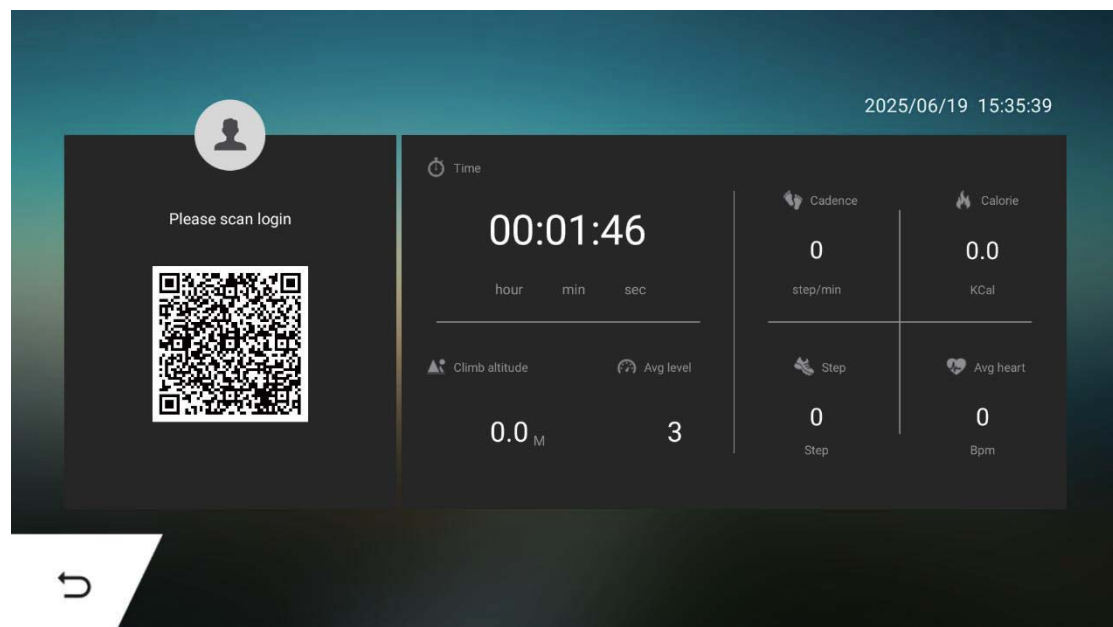


Fig.9

3. Exercise Modes



Fig.10

3.1 Programs Includes 18 modes.

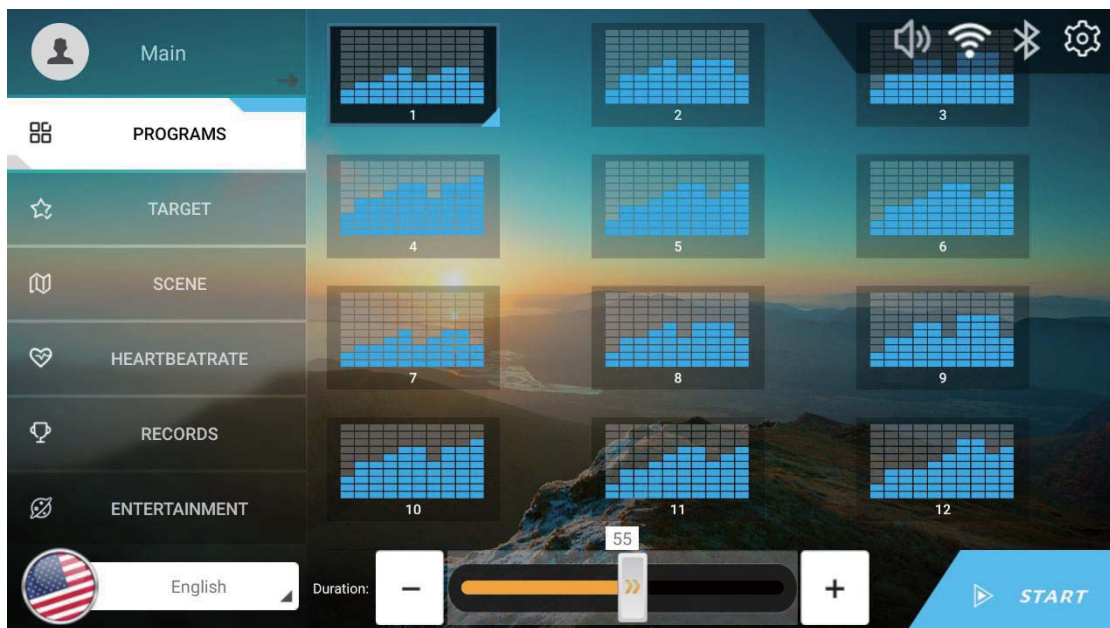


Fig.11

3.2 Target

Includes three modes: Elevation climbed (Distance), Time, and Calorie. Height, Weight, and Gender can be set.

Elevation climbed (Distance) range: 1~31, Time range: 5~100, Calorie: 9~999

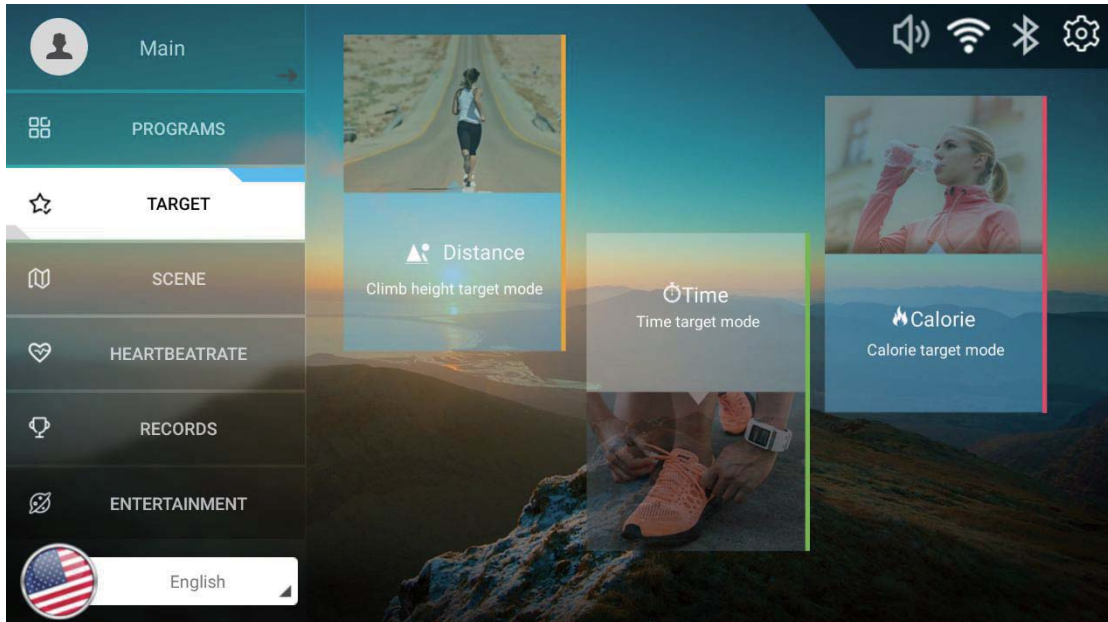


Fig.12

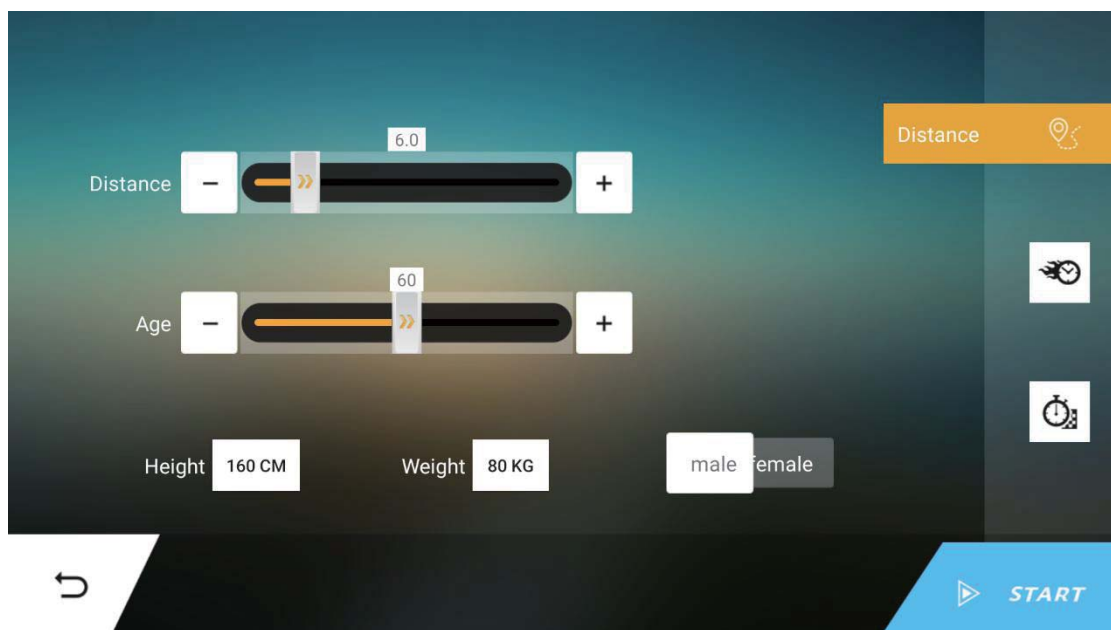


Fig.13

3.3 Real Scene Mode

Includes six real scenes: Farm, Mountain, Rocky, Roundabout, Savanna, and Wild-west.

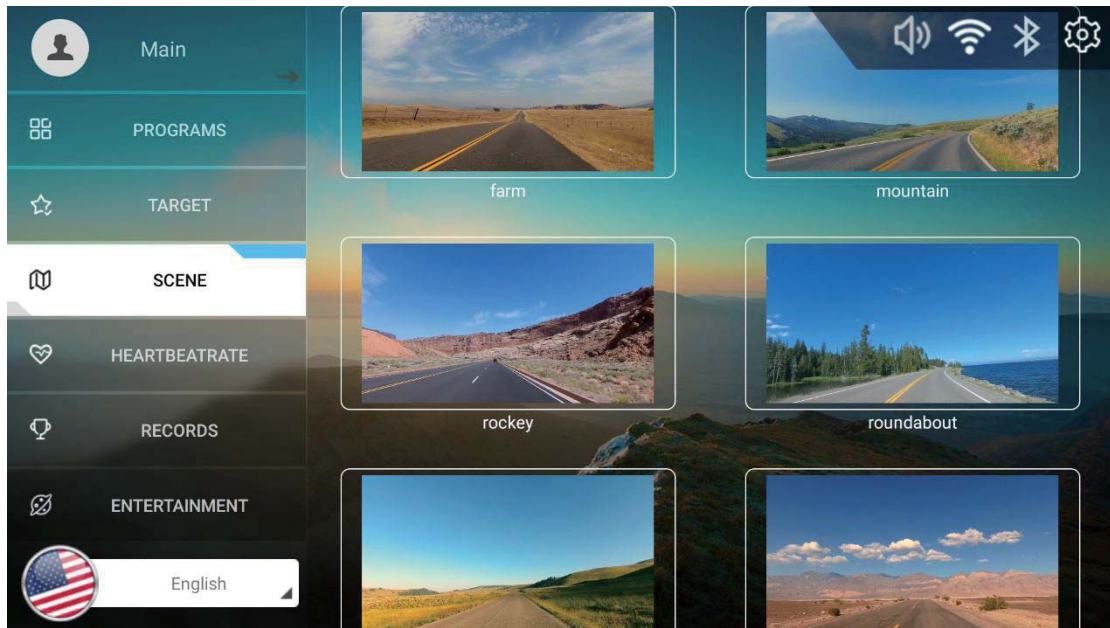


Fig.14

Wild-west

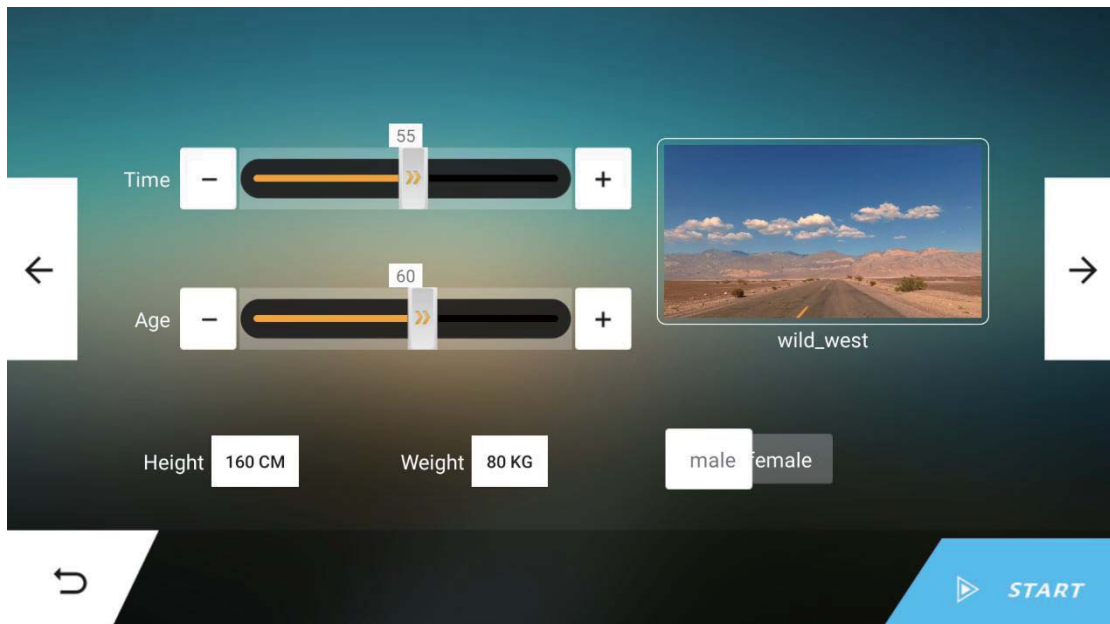


Fig.15

Savanna

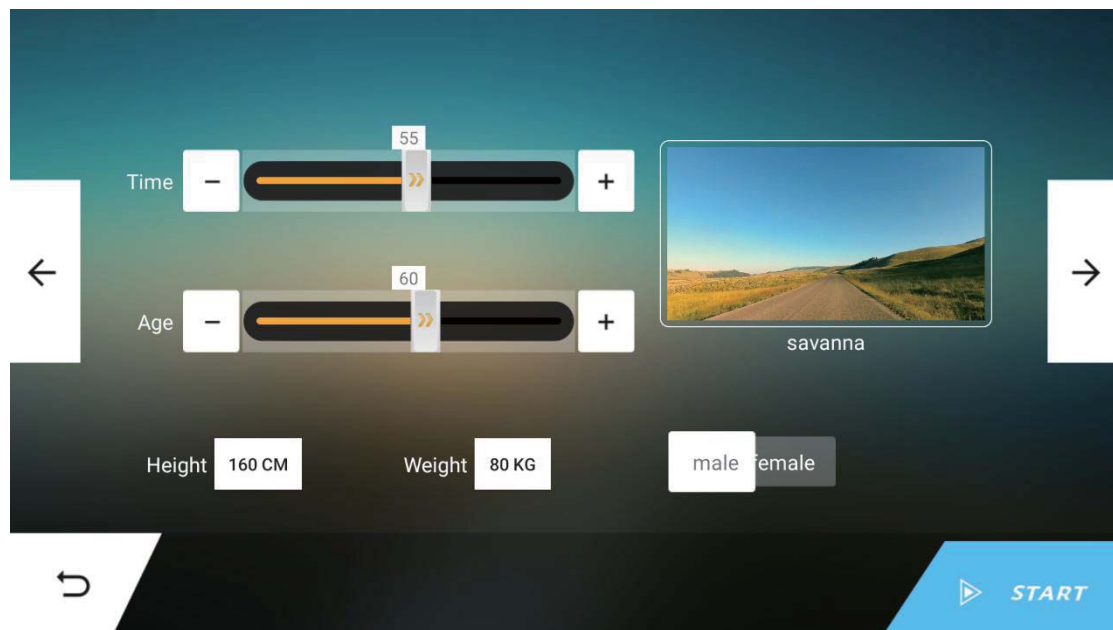


Fig.16

Mountain

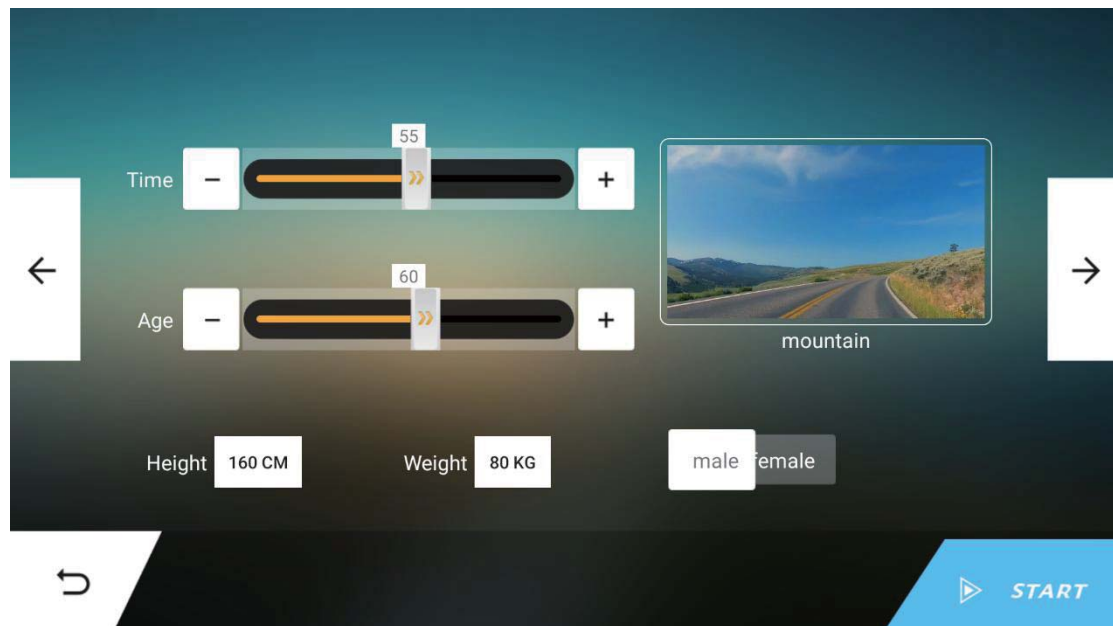


Fig.17

Rockey



Fig.18

Farm

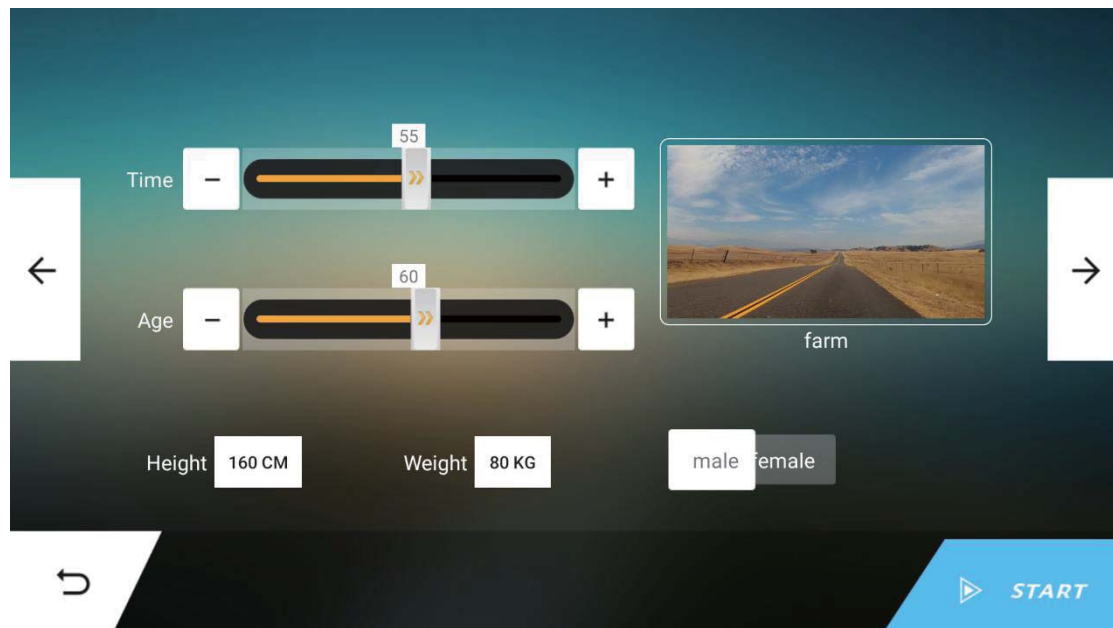


Fig.19

To ensure safety, the 'Entertainment' and 'Main' buttons at the bottom of the Real Scene page are disabled.

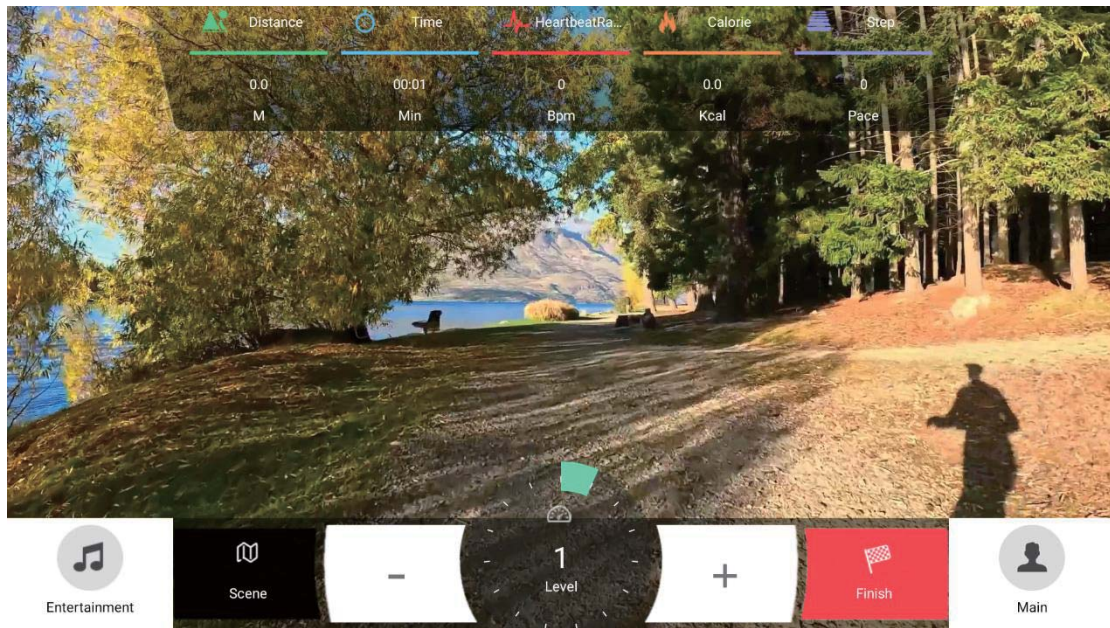


Fig.20

3.4 HeartbeatRate

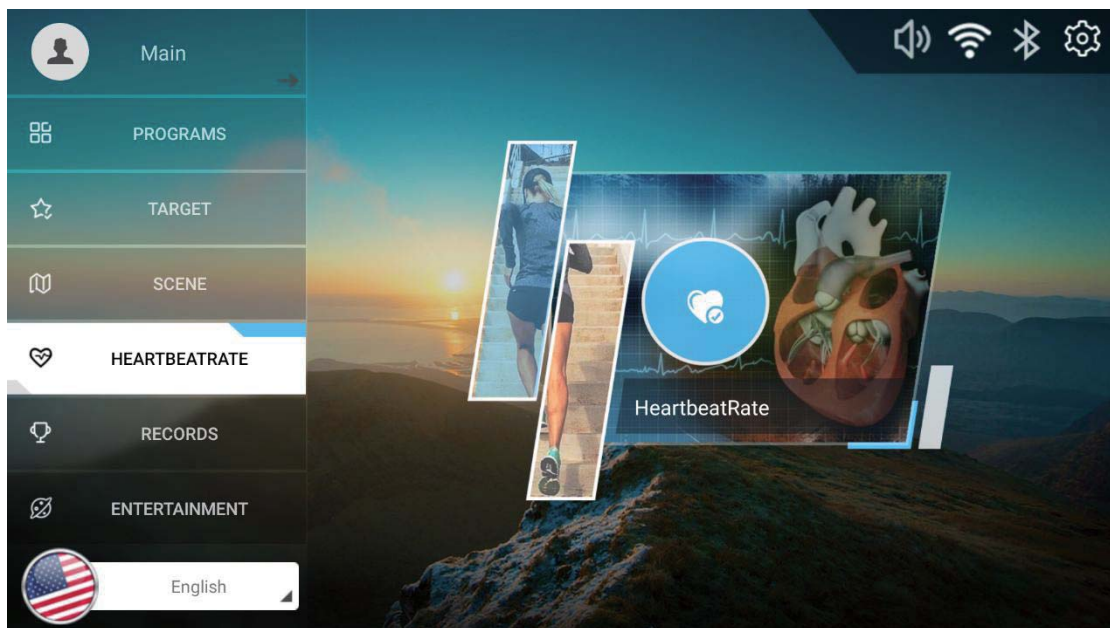


Fig.21

Data Settings Page

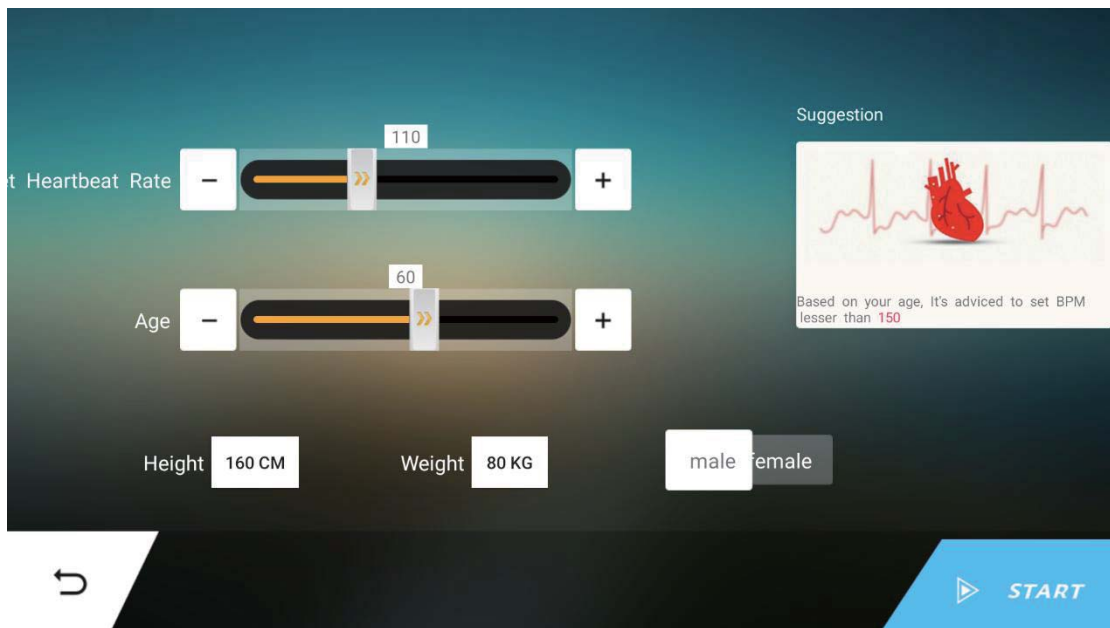


Fig.22

On the Exercise page, after setting the heart rate value, the machine will automatically stop once the target heart rate is reached during the workout.

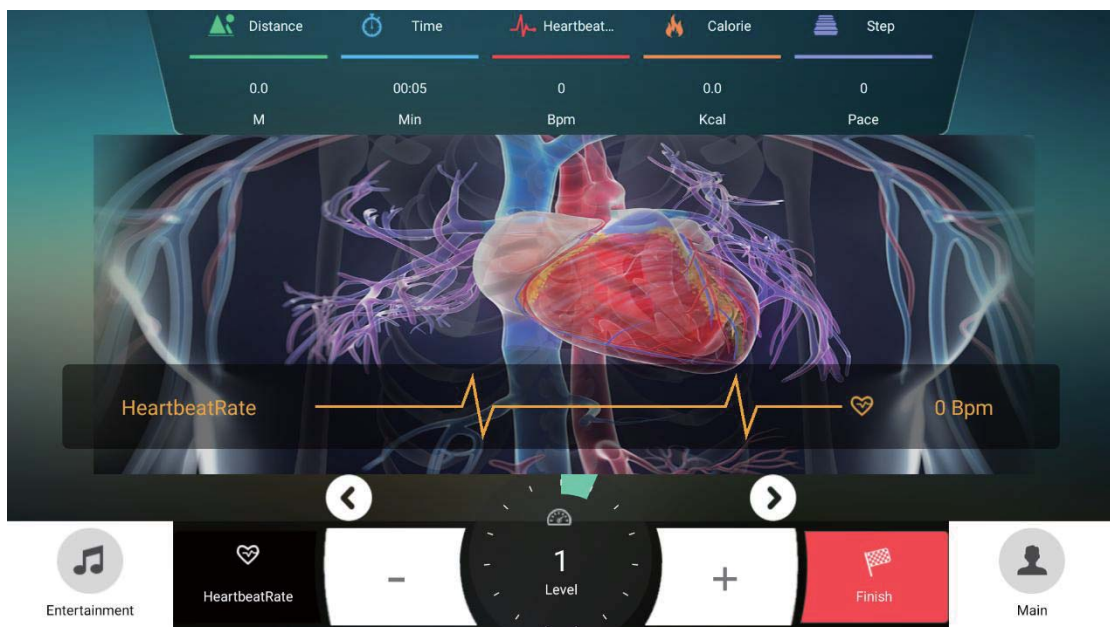


Fig.23

3.5 Records

Users can switch the calendar by month; The chart on the right compares the daily exercise data of the selected month with that of the previous month and updates according to the user's selection. Clicking the icon on the right will open the exercise data list page, which displays exercise records by day. Clicking the circular number button on the left allows you to switch the date. The right side will then list all exercise records for the selected date, shown in a thumbnail view.

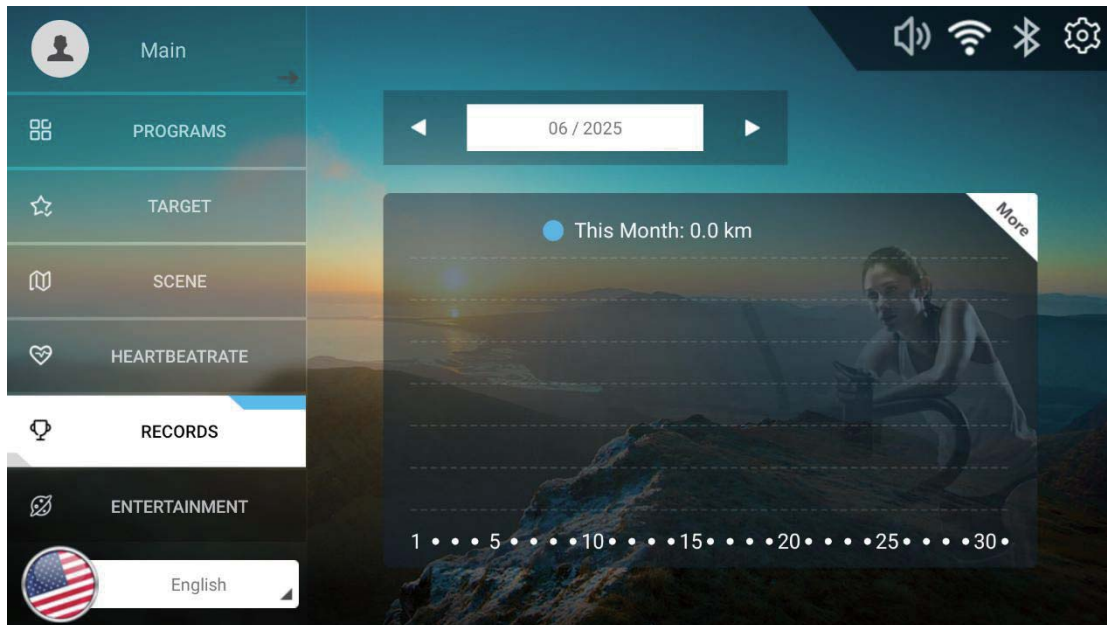


Fig.24

Exercise Details

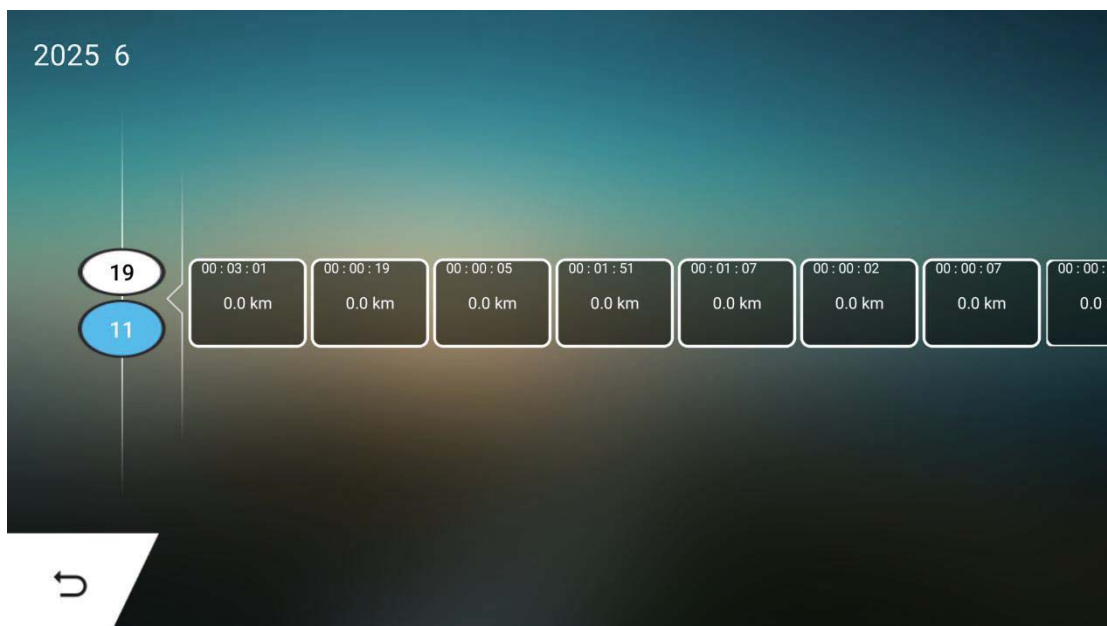


Fig.25

3.6 Entertainment

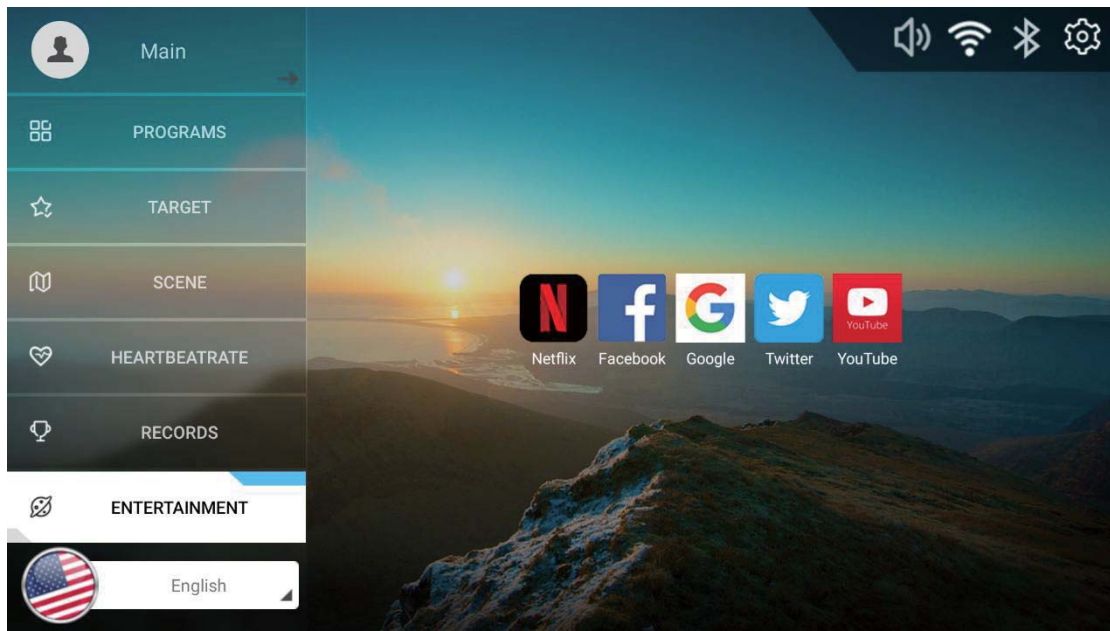


Fig.26

4. Bluetooth Function



Fig.27

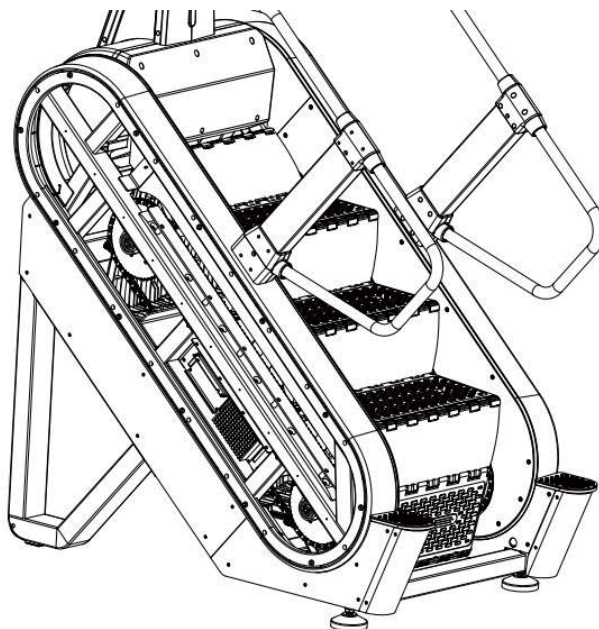
Click the Bluetooth icon in the upper right corner to enable Bluetooth and pair with existing Bluetooth devices. Once paired successfully, the related Bluetooth devices can be used.

DAILY MAINTENANCE OF STAIR MACHINE

Pedal and chain maintenance

Although it is difficult to accurately predict when lubrication is needed, usually when the user feels a little trembling or excessive noise, it is time for maintenance. Please refer to the following maintenance guidelines:

1. Wipe the entire pedal with a clean, lint-free cloth;
2. Remove the left and right side guards to check the lubricating oil of the chains on both sides. If they are very dry or without grease, apply special silent lubricating oil.



EXERCISE INSTRUCTIONS

Note before fitness

The machine should not be used continuously for more than 8 hours per day, and the weight of the exerciser should not exceed 150 kg;

Fitness Guide

Anyone over 35 years old, or those under 35 but overweight, should consult a doctor before starting any fitness program. For users with diabetes, high blood pressure, family history of heart disease, high blood lipids or long-term inactivity, to be on the safe side, a physical examination and stress test should be arranged by professionals before starting a fitness program.

Medical research results show that a certain amount of exercise can promote the recovery of our cardiopulmonary system function and muscle tissue. At the same time, it is safest and most effective to control the exercise intensity at 60%-85% of the maximum heart rate during fitness training, because this range can fully achieve the exercise effects of different needs and will not cause injuries caused by excessive exercise.

Maximum heart rate and exercise heart rate zone

Please use the following formula to calculate the maximum heart rate and exercise range (taking 35 years old as an example)

Maximum heart rate = $220 - \text{actual age}$ ($220 - 35 = 185$ beats/minute)

Exercise heart rate limit = maximum heart rate * 85% ($185 * 85\% = 157$ times per minute)

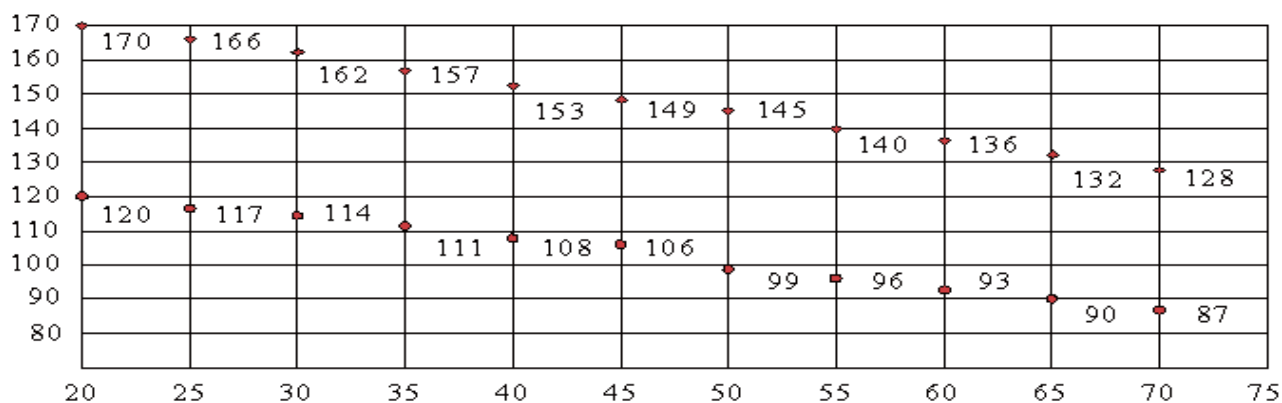
Exercise heart rate lower limit = maximum heart rate * 60% ($185 * 60\% = 111$ times / minute)

The exercise heart rate range is 111-157 beats per minute

Heart rate comparison chart (Table 1)

(Safe heart rate range for different age groups)

Heart rate



Actual age (years old)

Quantity and quality of exercise

The following is the amount of physical activity recommended by the American College of Sports Medicine for healthy adults to improve and maintain cardiorespiratory fitness:

- Perform large muscle group, sustained, rhythmic aerobic activity;
- 20-60 minutes of uninterrupted aerobic exercise is appropriate;
- Exercise 3-5 times a week;
- Exercise intensity should be maintained at 60%-80% of the maximum heart rate;
- In addition to aerobic exercise, a fitness program should also include moderate-intensity strength training twice a week.

PRODUCT SPECIFICATIONS

Maximum load: 330lbs (150kg);

Power requirement: 110VAC

The number of effectively usable steps on the stair climber: 3

Step frequency: 24-168 steps per minute.



Equipped with a handheld sensor for heart rate monitoring

Designed for commercial use

Assembly Dimension: 1625×950×2035mm

G.W.: 278Kg

N.W.: 218Kg

Stair Climber Machine	Manufacture	Fitness Superstore																																			
	Address	537 Stone Rd STE F Benicia, CA 94510																																			
Standard EN ISO 20957-1 EN ISO 20957-8 EN 60335-1 EN 62233 EN IEC 55014-1 EN IEC 61000-3-2 EN 61000-3-3 EN IEC 55014-2	Type	FF-SM920T																																			
	110V ~ 50-60Hz	100W																																			
	Class	S																																			
	Manufacture Date	<table border="1"> <tr> <th colspan="4">2025</th> <th colspan="4">2026</th> <th colspan="4">2027</th> </tr> <tr> <td>1</td><td>2</td><td>3</td><td>4</td> <td>5</td><td>6</td><td>7</td><td>8</td> <td>9</td><td>10</td><td>11</td><td>12</td> </tr> </table>												2025				2026				2027				1	2	3	4	5	6	7	8	9	10	11	12
	2025				2026				2027																												
	1	2	3	4	5	6	7	8	9	10	11	12																									
	Series No:	Max. user weight: 150kg ! Not toy used! Not medical instrument used! WEB: www.fitnesssuperstore.com																																			
																																					
																																					

GENERAL FAULTS OF CONTROL SYSTEM AND TROUBLESHOOTING METHODS

Fault phenomenon	Possible causes	Troubleshooting
After turning on the power switch of the electronic watch, No display	1、 The power plug is not plugged in properly	1、 Reinsert
Automatically stop the operation and display is normal	System automatic protection	Press the start key to restart
Display E01	Communication Error	1. Check the communication line. 2. Replace the display panel. 3. Replace the controller.
Display E02	Controller and reluctance failure	1. Check if the connection wire of the reluctance resistor is disconnected. 2. Check if the reluctance resistor damaged. 3. Replace the controller.
Display E04	Hardware overcurrent	1. Check if the reluctance resistor overcurrent. 2. Replace the controller.
Display E05	Software overcurrent	1. Check if the reluctance resistor burned out. 2. Replace the controller.
After startup, the machine works when someone is on it, but resets after 2S		1. Check whether the light sensing is connected properly. 2. Replace the controller.
After startup, the machine does not work when someone is on it, but it resets after 2S		1. Check if the brake is damage 2. Check if the machine is stuck 3. Replace the controller
Abnormal speed		Check whether the photoelectric switch on the disc is installed properly
No display at startup		1. Check the connection wires. 2. Replace the power supply. 3. Replace the controller. 4. Replace the electronic meter.