

# FRENCH FITNESS

FFN-PLSLC / FFM-PLSLC

FRENCH FITNESS NAPA / MARIN SEATED  
LEG CURL PLATE LOADED (NEW)

ASSEMBLY MANUAL



OR



## FEATURES

- 11 gauge steel
- High quality steel tube ASTM A36 with 50 x 80 x 3mm
- Tungsten Inert Gas (TIG) welding
- Quality PU leather
- Electrostatic powder coating

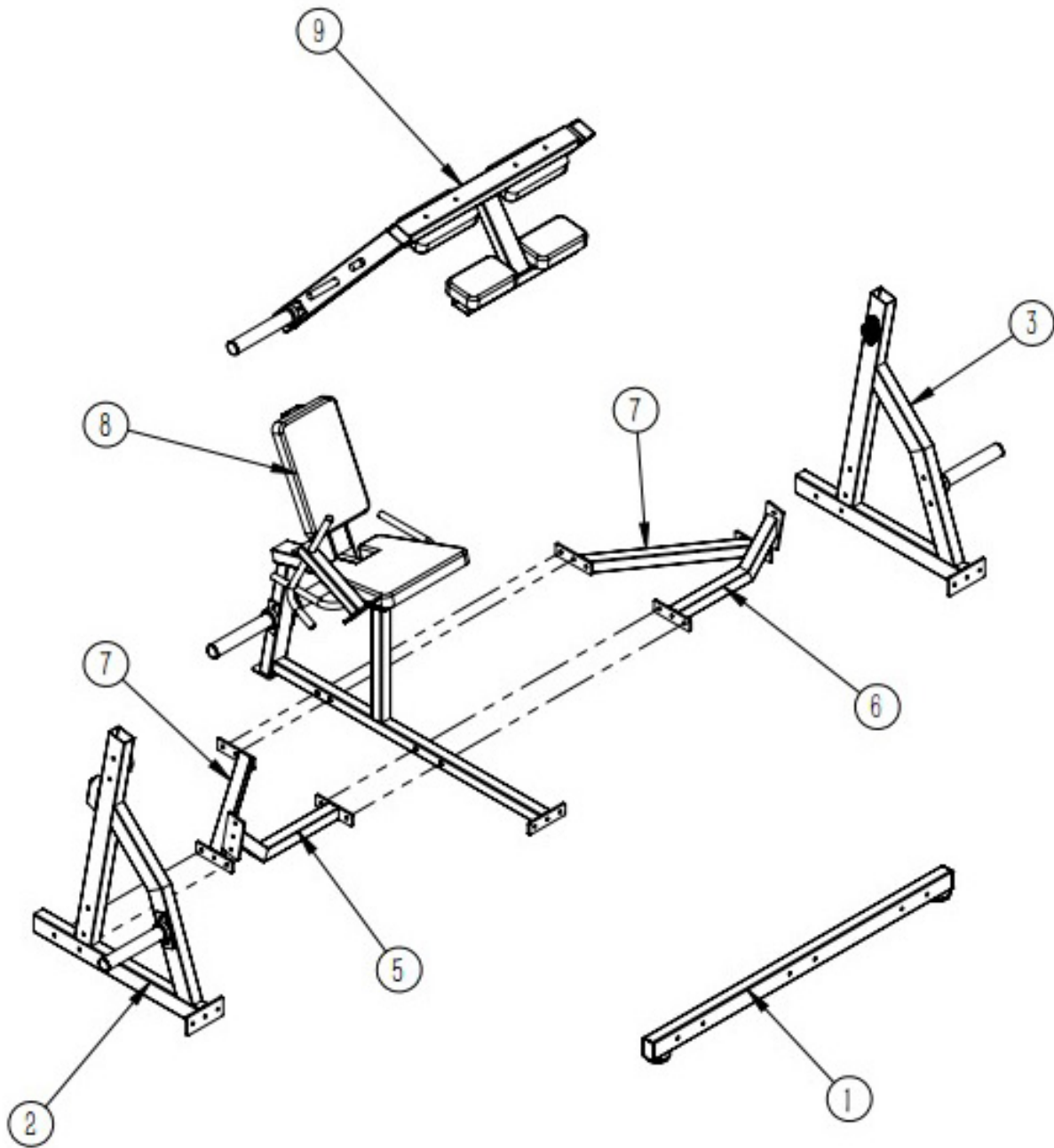
## TECH SPECS

- Weight: 363 lb (165 kg)
- Dimensions: 52"L x 55"W x 50"H (1350 mm x 1380 mm x 1250 mm)
- User Height Range: 4'10" to 6'6" (147.32 cm to 198.12 cm)

## WARRANTY

- **10 Years Parts, 1 Year Labor (Commercial)**
- **California Residents see Prop 65 WARNING**

# EXPLODED VIEW



Item No.	Part No.	Quantity
1	LF-1046-0100-ZP	1
2	LF-1046-0200-ZP	1
3	LF-1046-0300-ZP	1
4	LF-1046-0400-ZP	1
5	LF-1046-0500-HJ	1
6	LF-1046-0600-HJ	1
7	LF-1046-0700-HJ	2
8	LF-1046-0800-ZP	1
9	LF-1046-0900-ZP	1
10	LF-1046-1000-ZP	1

