

FRENCH FITNESS

FFN-PLSP / FFM-PLSP

FRENCH FITNESS NAPA/MARIN
P/L ISO-LATERAL SHOULDER PRESS

ASSEMBLY MANUAL



OR



FEATURES

- Paint Color: Silver/Black
- Vinyl Color: Black
- 11 gauge steel
- High quality steel tube ASTM A36 with 50 x 80 x 3mm
- Tungsten Inert Gas (TIG) welding
- Quality PU leather
- Electrostatic powder coating
- California Residents see Prop 65 WARNINGS

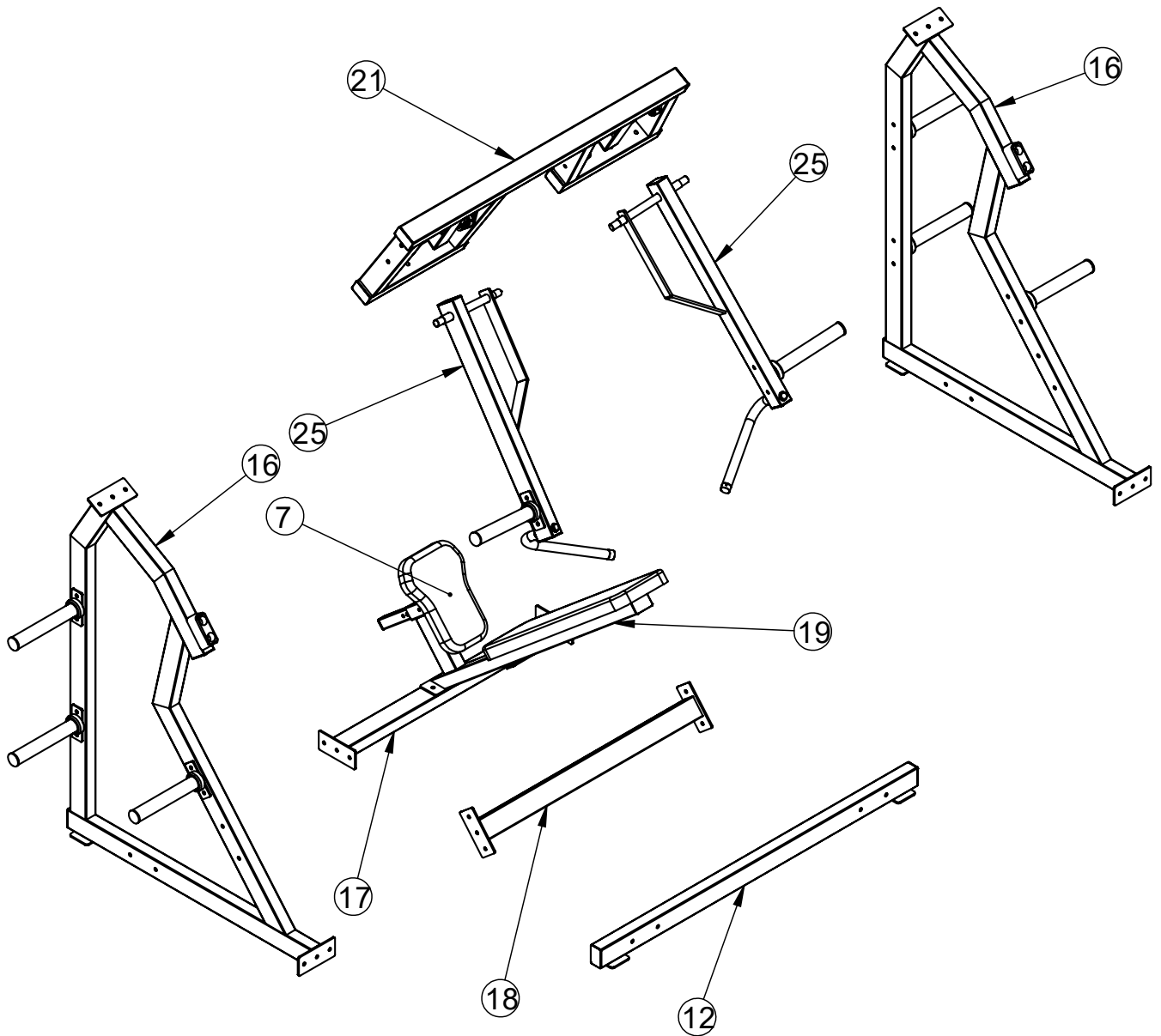
TECH SPECS

- Weight: 306 lb (139 kg)
- Dimensions: 54.07"D x 72.15"W x 74.32"H (D:1379.43mm, W:1832.68mm, H:1887.70mm)
- User Height Range: 4'11" to 6'5" (149.86 cm to 195.58 cm)

WARRANTY

10 Years Parts, 1 Year Labor (Commercial)

EXPLODED VIEW



Item No.	Part No.	Quantity
1	LF-1013-0100-ZP base connection pipe welding assembly	1
2	LF-1013-0200-ZP side frame welding assembly-right	2
3	LF-1013-0400-HJ bottom beam long tube welding	1
4	LF-1013-0500-HJ Seat cushion connection long tube welding	1
5	LF-1013-0600-ZP back pad set welding assembly	1
6	40X60Xt2.5X350 seat cushion adjustment assembly-reverse-stainless steel-T1-0004-ZP	1
7	LF-1013-0700-ZP upper measuring group welding assembly	1
8	LF-1013-0800-ZP boom group welding assembly-right	1
9	LF-1013-0900-ZP boom group welding assembly-left	1
10	Φ50X312-Barbell Bar-Stainless Steel Welding Assembly-T3-0006-ZP	6

