

FRENCH FITNESS

FFN-PLILHR / FFM-PLILHR

FRENCH FITNESS NAPA/MARIN P/L
ISO-LATERAL HIGH ROW

ASSEMBLY MANUAL



OR



FEATURES

- Paint Color: Silver/Black
- Vinyl Color: Black
- 11 gauge steel
- Plate loaded
- Professional design
- Iso-Lateral Arms: Each arm moves independently.
- Back Station: Dispersing / Separating Arms. In the starting position, the handles are close. As the user pulls, the motion separates as the handles get closer to the chest.
- High quality ASTM A36 steel tube
- Steel Tube Dimensions: 50mm x 80mm x 3mm
- Tungsten Inert Gas (TIG) welding
- Adjustable Seat and rollers
- Padded chest, rollers and seat
- Quality PU leather
- Electrostatic powder coating
- California Residents see Prop 65 WARNINGS

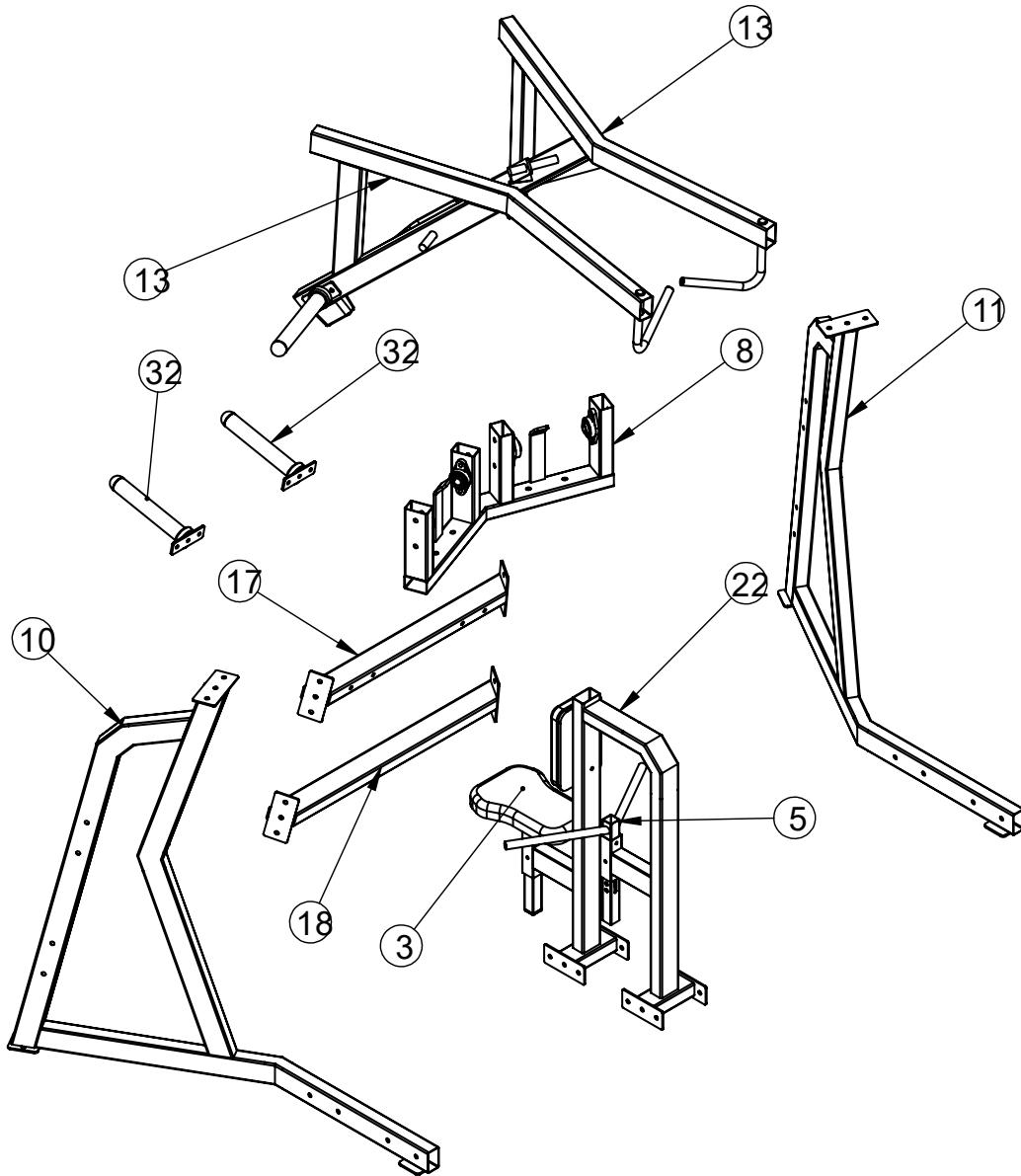
TECH SPECS

- Weight: 328.4lb (149kg)
- Dimensions: 73"L x 64"W x 79"H (L:1837mm, W:1619mm, H:2009mm)
- User Height Range: 4'11" to 6'5" (149.86 cm to 195.58 cm)

WARRANTY

10 Years Parts, 1 Year Labor (Commercial)

EXPLODED VIEW



Item No.	Part No.	Quantity
1	6002-0100 Top frame welding group	1
2	6002-0200 Left-hand main frame set	1
3	6002-0300 Right-hand main frame set	1
4	6002-0400 Left hand arm set	1
5	6002-0500 Right hand arm set	1
6	6002-0600 Upper connection support welding group	1
7	6002-0700 Lower connection support welding group	1
8	FL205 bearing seat	4
9	6002-0800 Foot pad frame welding assembly	1
10	Bump pad	2
11	6002-L01 cushion	1
12	Φ50X312-barbell-stainless steel welding assembly-T3-0006-ZP	4
13	40X60Xt2.5X350 Pressure leg adjustment group welding-stainless steel-T1-0002-HJ	1
14	40X60Xt2.5X350 seat cushion adjustment assembly-stainless steel-T1-0003-ZP	1

