

FRENCH FITNESS

FFN-PLFLP / FFM-PLFLP

FRENCH FITNESS NAPA/MARIN P/L
ISO-LATERAL FRONT LAT PULLDOWN

ASSEMBLY MANUAL



OR



FEATURES

- Paint Color: Silver/Black
- Vinyl Color: Black
- 11 gauge steel
- Iso-Lateral Arms: Each arm moves independently.
- Back Station: Dispersing / Separating Arms. In the starting position, the handles are close. As the user pulls, the motion separates as the handles get closer to the chest.
- High quality steel tube ASTM A36 with 50 x 80 x 3mm
- Tungsten Inert Gas (TIG) welding
- Quality PU leather
- Electrostatic powder coating
- California Residents see Prop 65 WARNINGS

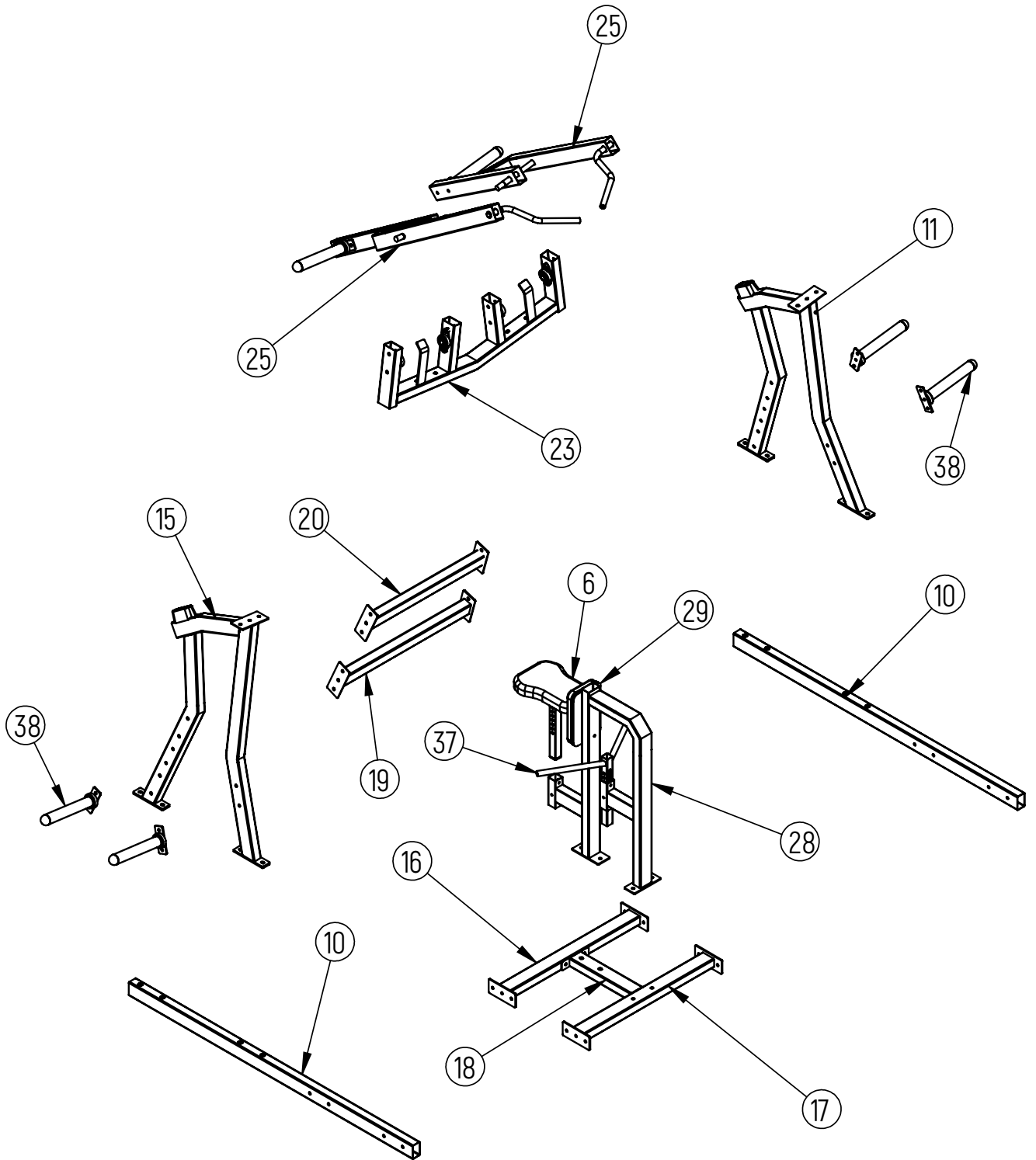
TECH SPECS

- Weight: 320 lb (145 kg)
- Dimensions: 66"L x 42"W x 81"H (L:1660mm, W:1050mm, H:2040mm)
- User Height Range: 4'11" to 6'5" (149.86 cm to 195.58 cm)

WARRANTY

10 Years Parts, 1 Year Labor (Commercial)

EXPLODED VIEW



Item No.	Part No.	Quantity
1	FL205 bearing seat	4
2	6016-0100 Right hand side frame	1
3	6016-0100A left hand side frame	1
4	6016-0200 Front floor support set	1
5	6016-0300 Rear lower brace group	1
6	6016-0400 Rear upper support group	1
7	6016-0500 boom shaft frame set	1
8	6016-0700 cushion frame set	1
9	Bump pad_Bump pad 60	2
10	6016-0600A left hand arm	1
11	6016-0600 Right boom	1
12	Φ50X312-Barbell Bar-Stainless Steel Welding Assembly-T3-0006-ZP	6
13	Side frame bottom tube welding group	2
14	Bottom tube welding set-no holes	1
15	40X60Xt2.5X350 seat cushion adjustment assembly-stainless steel-T1-0003-ZP	1
16	40X60Xt2.5X350 Pressure leg adjustment group welding-stainless steel-T1-0002-HJ	1
17	6016-L02 chest pad	1

