

FRENCH FITNESS

FFB-DFIB

**FRENCH FITNESS FFB-DFIB -15 TO 90
DEGREE ADJUSTABLE / DECLINE BENCH**

ASSEMBLY MANUAL

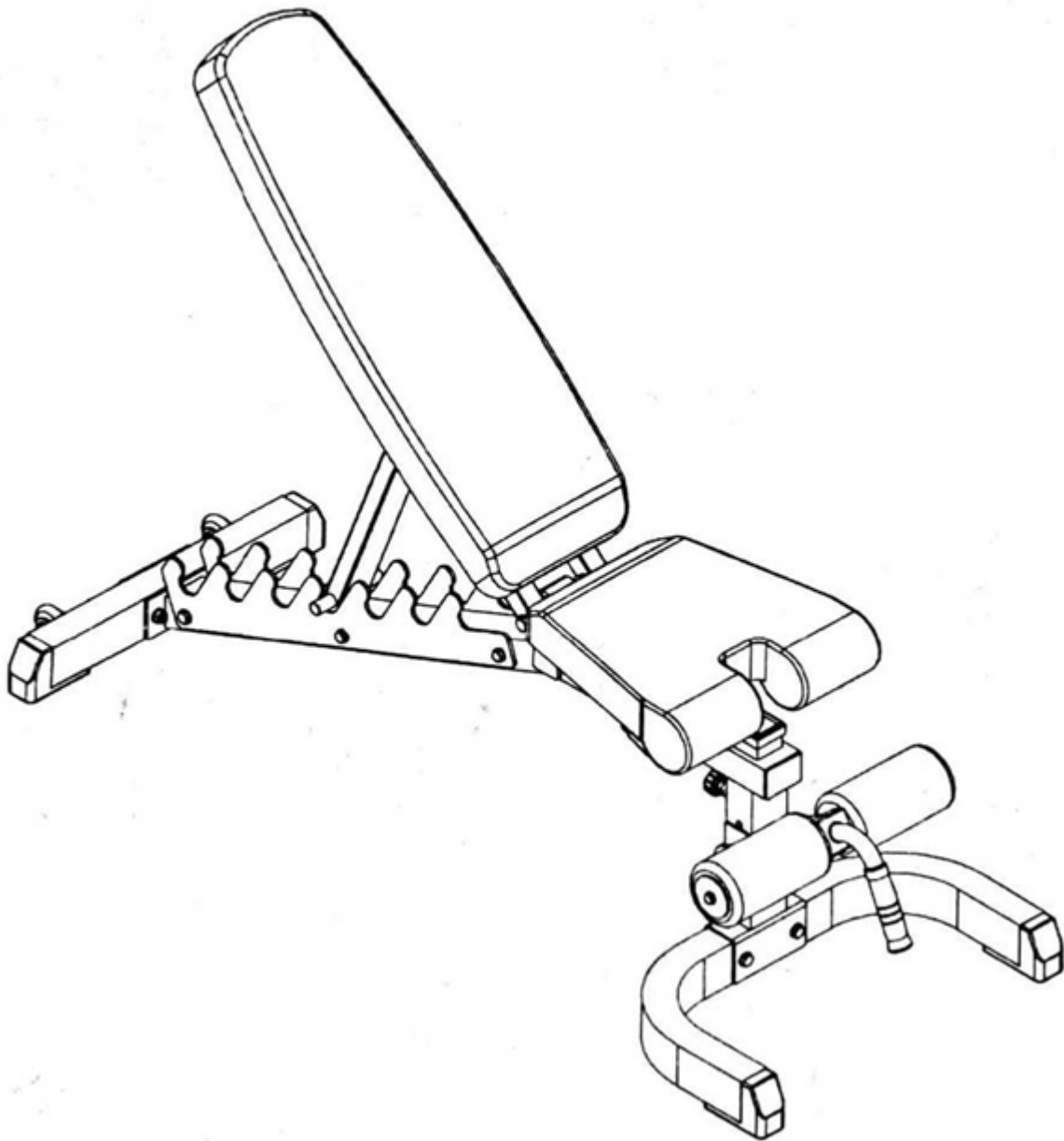


TECH SPECS

- Steel Tube Size: 75mm x 75mm x 3mm (11 Gauge)
- Weight: 70.5 lb (32 kg)
- Dimensions: 60.4 in x 22.6 in x 51.2 in (1535 mm x 575 mm x 1300 mm)
- California Residents see Prop 65 WARNINGS

WARRANTY

10 Years Parts and 1 Year Labor Warranty (Light Commercial)



NO.	DESORPTION	Q'TY	NO.	DESCRIPTION	Q'TY
1	FRONT FOOT FRAME	1	14	WASHER Ø12	5
2	MAIN FRAME	1	15	NYLON LOCK NUT M12	3
3	REAR FOOT TUBE	1	16	HEX BOLT M10*75	4
4	SEAT FRAME	1	17	WASHER Ø10	10
5	BACK CUSHION TUBE	2	18	NYLON LOCK NUT M10	4
6	BACK CUSHION SUPPORTING	1	19	HEX BOLT M8*50	4
7	LEG CURL FRAME	1	20	HEX BOLT M8*20	4
8	FOAM TUBE	1	21	WASHER Ø8	8
9	SEAT CUSHION	1	22	BIG WASHER	2
10	BACK CUSHION	1	23	FOAM	2
11	ADJUSTING HANDLE	1	24	BALL HEAD PIN	1
12	SPRING	1	25	POP-PIN	1
13	HEX BOLT M12*180	2	26	HEX BOLT M10*20	2

EXPLODED VIEW

