

# FRENCH FITNESS

FF-BSM20

FRENCH FITNESS FF-BSM20 BELT  
SQUAT MACHINE (NEW)

ASSEMBLY MANUAL



## FEATURES

- 11 Gauge Steel
- Heavy-duty steel frame
- Powder coat finish for long-term durability.
- 4 (four) built-in weight horns
- 4 (four) lower band pegs to boost power and explosiveness
- Large working platform allows for different squatting styles
- Diamond-plated footplate provides exceptional grip as well as a fashionable look
- Freestanding standalone unit
- Built-in holes for increased security
- California Residents see Prop 65 WARNINGS

## TECH SPECS

- Weight: 291lb (132kg)
- Platform: 47"L x 31"W x 0.24"H (L:1200mm, W:800mm, H:6mm)
- RHS thick Frame: 2"L x 3"W x 0.12"H (L:50mm x W:75mm x H:3mm)
- Main Lifting Arm: 3"L x 3"W x 0.12"H (L:75mm x W:75mm x H:3mm)

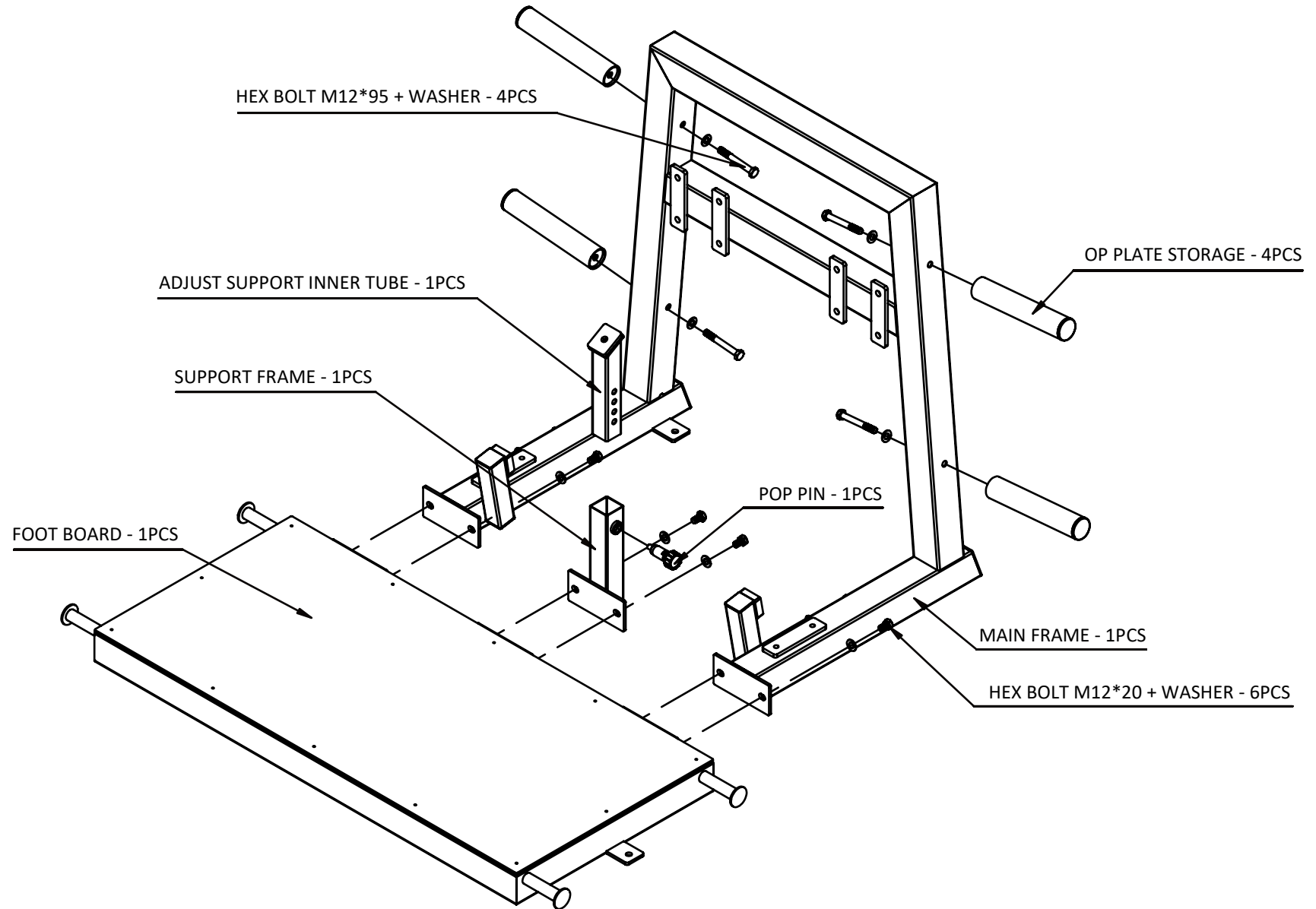
## WARRANTY

**10 Years Parts, 1 Year Labor (Commercial)**

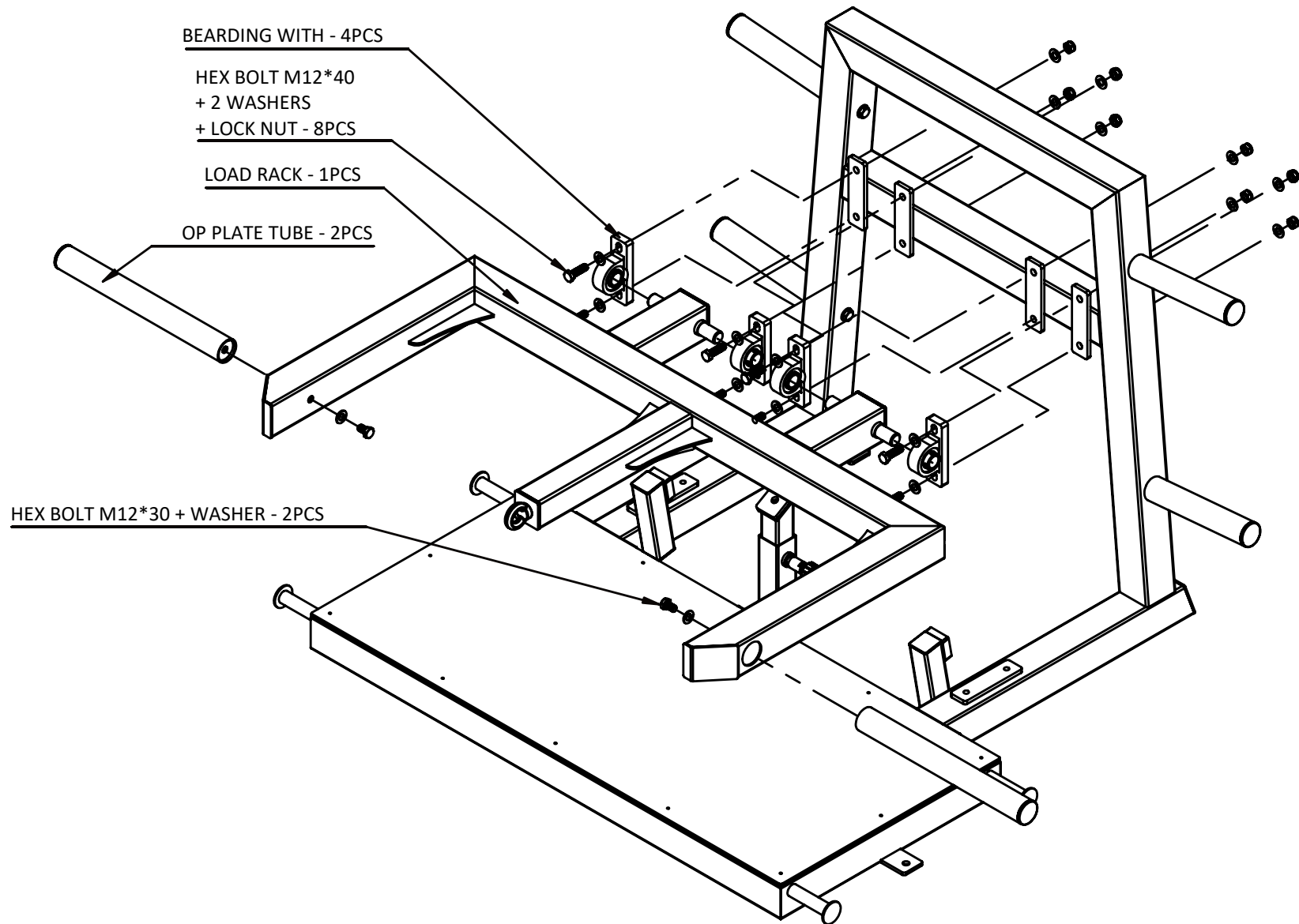
# TABLE OF CONTENTS

|              |   |
|--------------|---|
| STEP 1 ..... | 4 |
| STEP 2 ..... | 5 |
| STEP 3 ..... | 6 |

# STEP 1



## STEP 2



# STEP 3

