

# FRENCH FITNESS

FF-SBR-10

**FRENCH FITNESS 10 SET SANDBAG  
POWER BAG RACK (NEW)**

**ASSEMBLY MANUAL**



## FEATURES

- Holds up to 10 Sandbags
- Durable steel construction
- Inner supports prevent bag sag in the middle, maintaining shape.
- Powder coated finish
- Space-saving vertical design

Pair your rack with the French Fitness WPSB Weighted Power Sand Bags, crafted for durability and versatility, offering a wide range of weights to suit your training needs. Made of lead free and 6P compliant vinyl cover and is equipped with thick layer of EPE underlay foam, our sandbags ensure reliable performance through countless workouts.

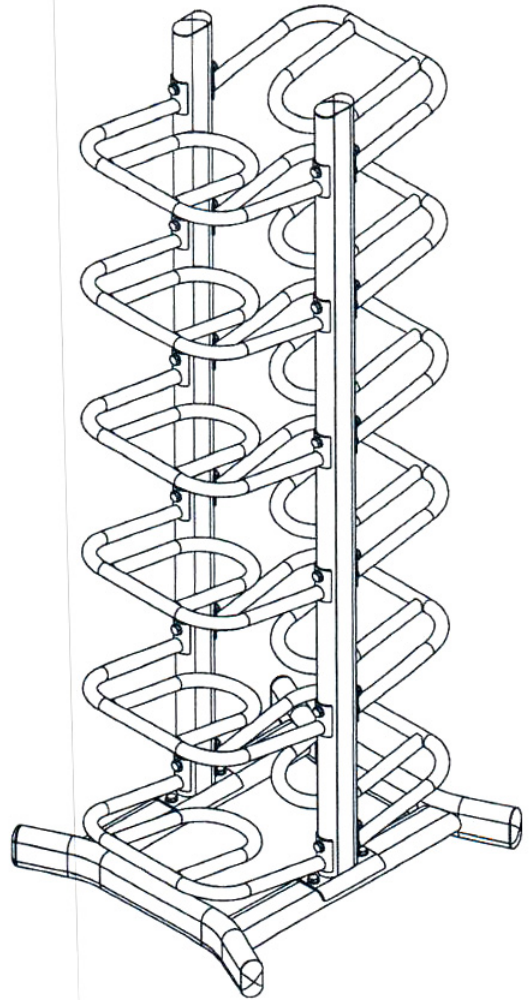
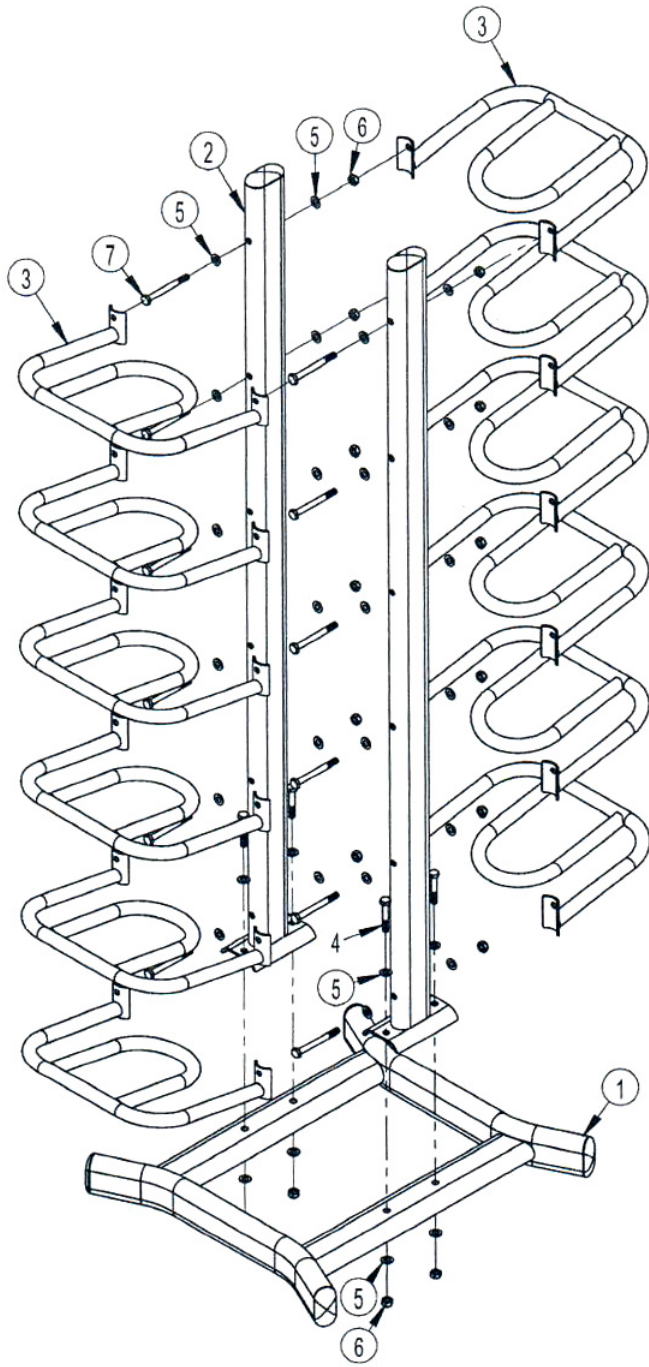
## TECH SPECS

- Tube Size: 40cm x 80cm x 1.5cm / 25 x 1.5cm
- Dimensions: 27.1"L x 23.6"W x 66.9"H (L:69cm, W:60cm, H:170cm)

## WARRANTY

- **10 Years Parts, 1 Year Labor (Commercial)**
- **California Residents see Prop 65 WARNING**

# EXPLODED VIEW



## PARTS LIST

ITEM NO.	DESCRIPTION		Q'TY
1	BOTTOM FRAME		1
2	UPRIGHT FRAME		2
3	BAG HOLDER		12
4	HEX BOLT M10'60		4
5	Washer $\phi$ 10		32
6	NYLON NUT M10		16
7	HEX BOLT M10*100		12