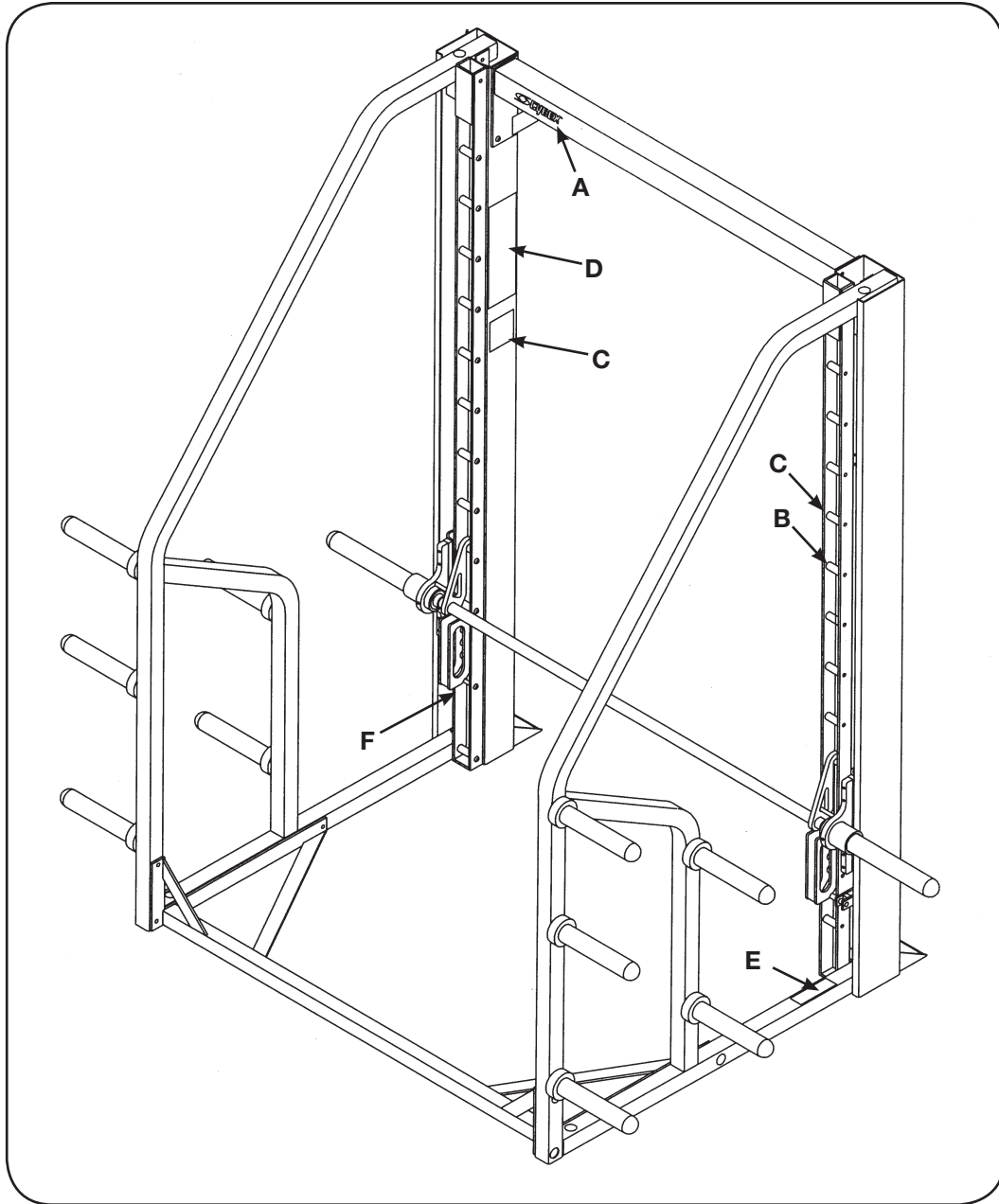


SMITH PRESS

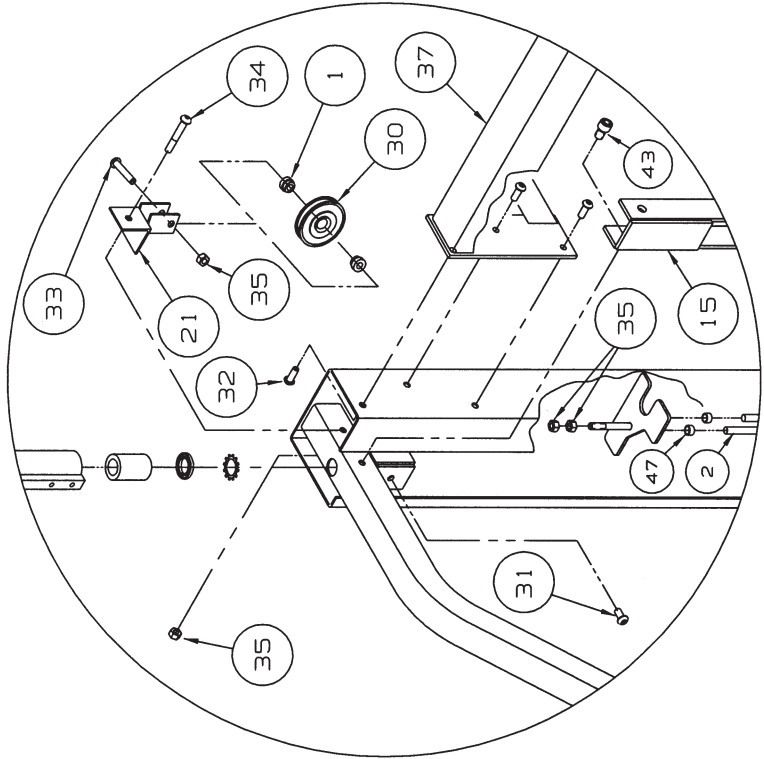
PRODUCT NO. 5341



DESCRIPTION	PART NO.	DESCRIPTION	PART NO.
A. Cybox Decal Black	3900-443	D. Placard Decal	5341-598-X
A. Cybox Decal Silver	3900-444	E. Serial Number Decal	
B. Warning Decal	5220-324	F. Adjustable Stop Decal ...	5341-302
C. Caution Decal	5341-306		

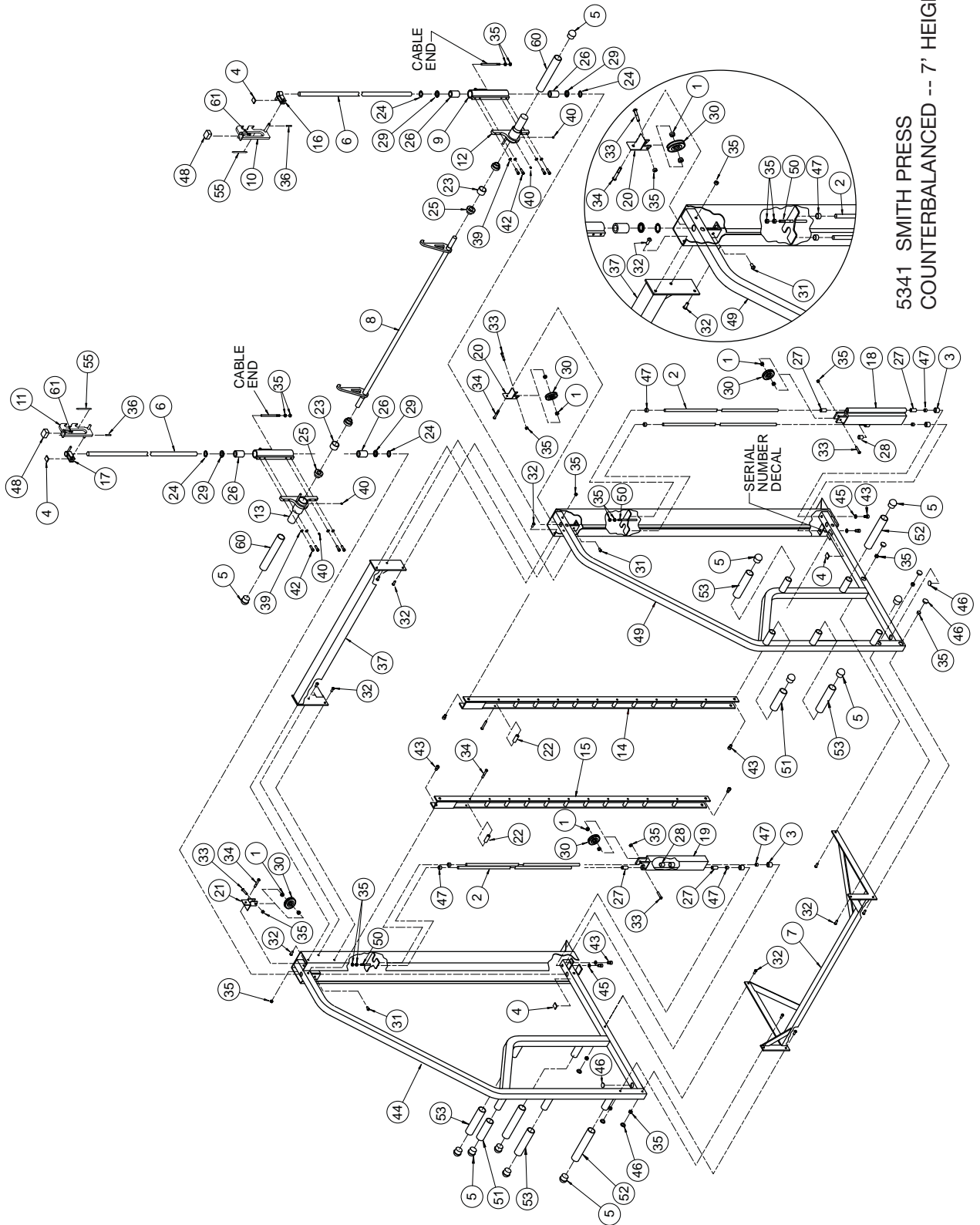
5341 - Smith Press (Counterbalanced - 7' Height)

ITEM	QTY	PART NO.	DESCRIPTION
1	8	01053	Pulley Clevis Adapter
2	4	4000M228	Weight Stack Guide Rod
3	4	4000P220	Guide Rod Colllet
4	4	4113M064	Bumper
5	12	5330M040	Plug
6	2	5340M042	Shaft 1.00 Dia x 79.88
7	1	5341-208	Lower Cross Tube
8	1	5341-203	Weight Bar
9	2	5341-204	Bearing Housing
10	1	5341-219	Adjustable Stop (Right Hand)
11	1	5341-220	Adjustable Stop (Left Hand)
12	1	5341-221	Weight Bar Bracket (Right Hand)
13	1	5341-222	Weight Bar Bracket (Left Hand)
14	1	5341-211	Ladder (Right Hand)
15	1	5341-212	Ladder (Left Hand)
16	1	5341-213	Adjusting Tube Stop (Right Hand)
17	1	5341-214	Adjusting Tube Stop (Left Hand)



ITEM	QTY	PART NO.	DESCRIPTION
18	1	5341-215	Counterweight (Right Hand)
19	1	5341-216	Counterweight (Left Hand)
20	1	5341-217	Pulley Angle (Right Hand)
21	1	5341-218	Pulley Angle (Left Hand)
22	22	5341-334	Spacer (Plated)
23	2	5341-340	Spacer (Coated)
24	4	BR030204	Retaining Ring
25	4	FB030234	Radial Bearing
26	4	FB110201	Linear Bearing 1.00
27	4	FB110203	Bearing Sleeve
28	2	FB130203	.62 ID x .75 OD x 1.5 L Bearing
29	4	FS110201	.75 ID x .875 OD x 1.00 L Linear Bearing Seal 1.00
30	4	GP000204	Pulley Assembly 3.00
31	2	HC700415	BHSCS .375-16 x .75
32	16	HC700417	BHSCS .375-16 x 1.00
33	4	HC700426	BHSCS .375-16 x 2.00
34	24	HC702830	SHCS .375-16 x 2.50
35	22	HN704000	Hex Nut .375-16
36	2	HP286819	Spiral Pin .188 x 1.12
37	1	5341-205	Top Cross Tube
38			Removed
39	8	HS348300	Split Lockwasher .375
40	4	HY582910	Set Screw #10-32 x .19 Cup Pt.
41			Removed
42	8	JC702820	SHCS .375-16 x 1.25
43	8	JC782815	SHCS .500-13 x .75
44	1	5341-202	Side Channel (Left Hand)
45	4	JS388300	Split Lockwasher .500
46	8	PP080202	Plastic Insert 1.19 Dia. x 11 G
47	8	PP080204	Plastic Cap .625 ID X .68 OD
48	2	11000-384	Bumper
49	1	5341-201	Side Channel (Right Hand)
50	2	5341-002	Cable Subassembly
51	2	5340P003	Weight Tube 6.00
52	4	5490P009	Weight Tube 10.00
53	4	5490P010	Weight Tube 8.00
54			Removed 7-03
54	2	3900-443	Cybox Decal 1.57 Black
54	2	3900-444	Cybox Decal 1.57 Silver
55	2	5341-366	Adjustable Stop Decal
56	1	5341-598-X	Placard Decal
57	2	5341-306	Caution Decal
58	1	5220-364	Warning Decal
59	10	5220-367	Spacer
60	2	5341-365	Weight Tube 10.50"
61	4	JC620415	BHSCS .250-20 x .75

5341 - Smith Press (Counterbalanced - 7' Height)



5341 SMITH PRESS
COUNTERBALANCED -- 7' HEIGHT

5341 - Smith Press

