

Cybox 630A Arc Trainer Assembly Manual (Remanufactured)



REFERENCE Page 5 and 6 ONLY

5 - Setup and Assembly

Warnings/Cautions

All warnings and cautions listed in this chapter are as follows:

! WARNING: Use extreme caution when assembling the unit. Failure to do so could result in injury.

! WARNING: A minimum of two people are required to lift, move and assemble this unit. Always use proper lifting methods when moving heavy items.

! WARNING: Be sure that all electrical requirements are met as indicated in the specifications at the front of the manual and at the beginning of this chapter prior to proceeding.

! WARNING: Wait until all moving parts come to a complete stop before dismounting.

! CAUTION: A minimum of two people are required to assemble this unit.

Choosing and Preparing a Site

Before assembling the unit you must select a suitable site and have the proper electrical outlet power available for optimum operation and safety. See the Electrical Power Requirements section (located on the next page) for direction in locating your voltage requirements.

The area you select for the unit should be well lit and well ventilated. Locate the unit on a structurally sound and level surface. Allow enough clearance for safe access and passage during use of the unit. Allow a minimum of 5" (13 cm) behind the unit for the elevation to rise. If the unit is to be located above the first floor, place it near or above major support beams. To protect the carpeting, place a 3/4" (1.9 cm) thick wood base under the unit. Be sure to use the rubber foot covers shown on page 5-9.

Humidity - The unit is designed to function normally in an environment with a relative humidity range of 30% to 75%.

NOTE: Do not install or use the unit in an area of high humidity, such as in the vicinity of a steam room, sauna, indoor pool or outdoors. Exposure to extensive water vapor, chlorine and/or bromine could adversely affect the electronics as well as other parts of the machine.

Temperature - The unit is designed to function normally in an environment with an ambient temperature range of 50° F (10° C) to 104° F (40° C) degrees.

See Chapter 4 for information regarding storage of the unit.

Electrical Power Requirements

NOTE: The AC power kit is optional on the 630A Arc Trainer.

Make sure that the unit is connected to an outlet having the same configuration as the plug. **NOTE:** Do not use a ground plug adapter to adapt the 3-prong power cord plug to a non-grounded electrical outlet.

NOTE: Use Cybox supplied AC power kit only. Consult an electrician if you have any questions.

Assembling the 630A Arc Trainer

! WARNING: Use extreme caution when assembling the unit. Failure to do so could result in injury.

! CAUTION: A minimum of two people are required to assemble this unit.

Tools Required

- Phillips head screwdriver
- Torque wrench
- 3/16" Allen wrench (supplied)
- 7/32" Allen wrench (supplied) (2)
- 9/16" Open-end wrench

NOTE: The words "left" and "right" denote the user's orientation.

1. Read and understand all instructions thoroughly before assembling the unit.

NOTE: Each step number in the assembly instructions tells you what you will be doing. The lettered steps following each step number describe the procedure required. Do not continue with step 2 until you have carefully read all of the assembly instructions.

2. Verify you have received the correct package.

- A. Read the sticker on the outside of the box and verify that the model number and voltage are what you ordered.

3. Unpack and verify the contents of the boxes.

- A. Lift up and remove the cardboard sleeve that surrounds the unit.
- B. Verify that you have the color that you ordered by looking at the paint.
- C. If you ordered the optional AC power kit, verify that you have the correct power cord by reading the voltage sticker near the power inlet.

Cybox Arc Trainer 630A Owner's Manual

D. Check to be sure that the following items are present. Check off (☑) each item as you find it. See Figure 1. If any of the parts are missing contact Cybex Customer Service.

Item	Qty	Part Number	Description
<input type="checkbox"/> 1	1	Varies	Base with covers attached
<input type="checkbox"/> 2	1	Varies	Console assembly (in box)
<input type="checkbox"/> 3	1	PL-17209	Water bottle holder (in box)
<input type="checkbox"/> 4	2	11090-405	Foot pad (in box)
<input type="checkbox"/> 5	1	AW-19522	Power cord 115 VAC (optional)
<input type="checkbox"/> 5	1	AW-19521	Power cord 230 VAC (optional)
<input type="checkbox"/> 5	1	AW-19587	Power cord 100 VAC (optional)
<input type="checkbox"/> 5	1	EW600-405	Power cord 220 VAC (optional)
<input type="checkbox"/> 6			Not used
<input type="checkbox"/> 7	1	NA	Hardware pack (in box)
<input type="checkbox"/> 8	1	5630A-4	Owner's Manual (in box)
<input type="checkbox"/> 9	1	630A-352	Assembly poster
<input type="checkbox"/> 10	1	600A-301	Warranty sheet
<input type="checkbox"/> NA	1	610A-373	Instruction, 630A Assembly Note

NA means Not Applicable

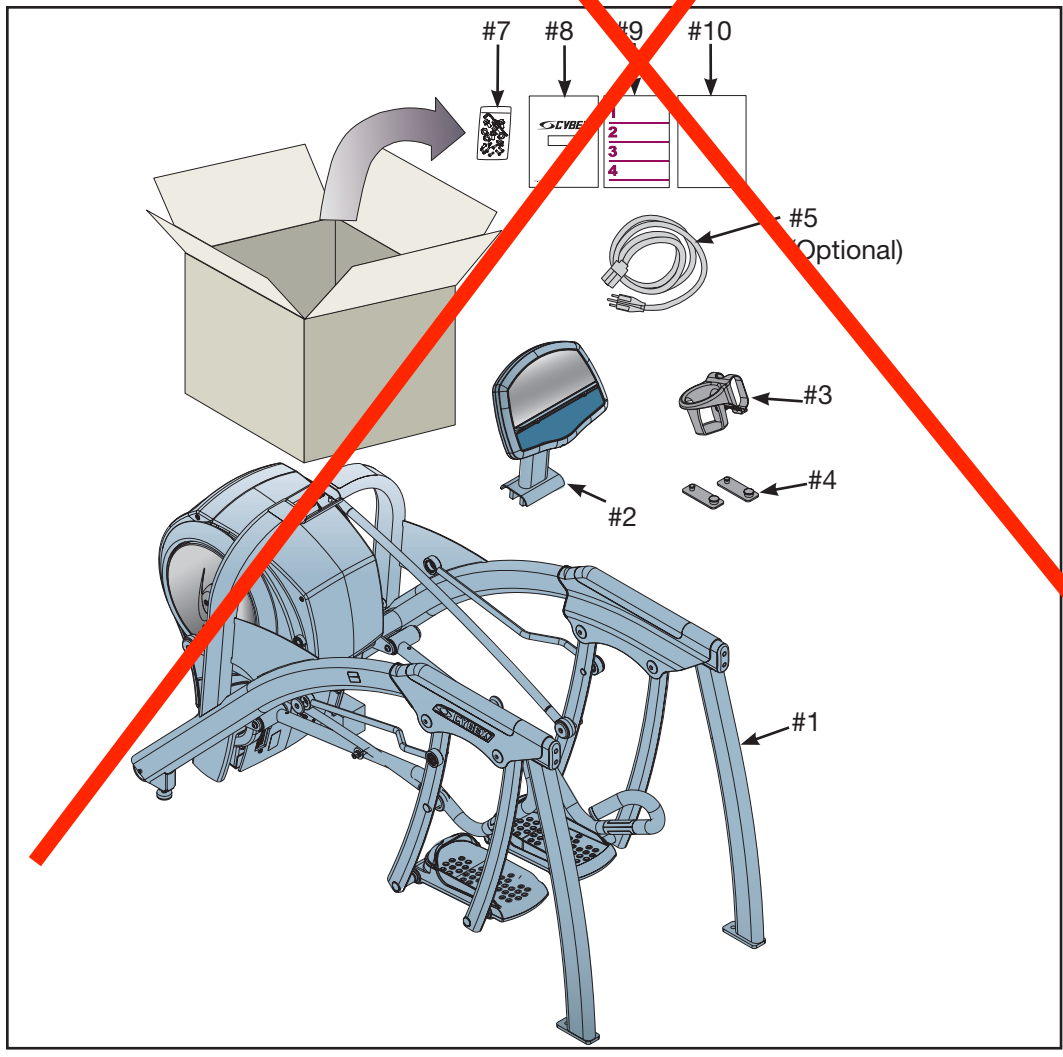


Figure 1

Cyber Arc Trainer 630A Owner's Manual

E. Check off () each item in the hardware pack as you find it. See Figure 2.

Item	Qty	Part Number	Description
<input type="checkbox"/> 11	1	Y1000201	Threadlocker
<input type="checkbox"/> 12	2	601A-311	Flange Spacer
<input type="checkbox"/> 13	4	JC700422	BHSCS .375-16 x 1.50
<input type="checkbox"/> 14	2	HT552515	Pan HD Phil HD Self Tapping 8-16 x .75 Type VB Black
<input type="checkbox"/> 15	2	HX622815	SHCSC .250-20 x .75
<input type="checkbox"/> 16	4	JS347400	Internal Tooth Lockwasher
<input type="checkbox"/> 17	2	PL-16535	Linkage Rod Cap
<input type="checkbox"/> 18	2	BK030204	7/32" Allen wrench
<input type="checkbox"/> 19	1	BK030201	3/16" Allen wrench
<input type="checkbox"/> 20	2	HS307601	Washer .281 x .50

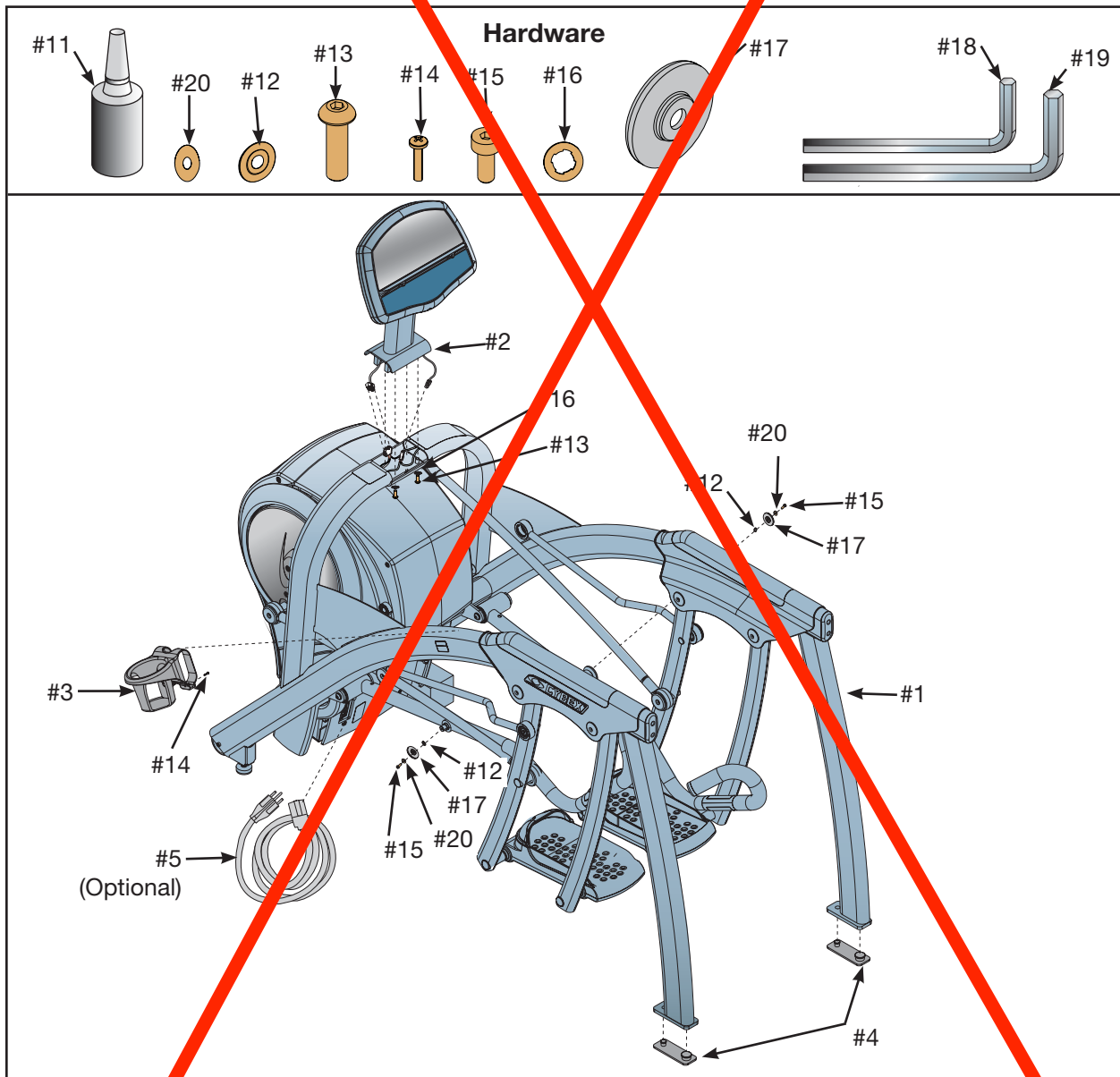


Figure 2

! CAUTION: A minimum of two people are required to lift, move and assemble the unit. Always use proper lifting methods when moving heavy items.

4. Lift and move the unit

- A. Carefully remove lag bolts and shipping supports. NOTE: Keep package material on linkage arms at this time (this will protect the paint from scratching during assembly).
- B. With one person on each side firmly grasp each rear foot.
- C. Using proper lifting methods, lift the rear feet so that the front transport wheels are able to roll on the floor.
- D. Move or roll the unit to the location where you intend to leave it.
- E. Carefully lower the rear feet so that the unit is in the intended location.

5. Attach the Console Assembly.

NOTE: If installing the Cybox Personal Entertainment Monitor Option refer to page 5-13 for installation instructions.

- A. Locate the console assembly (#2), four screws .375-16 x 1.50 (#13) and four washers (#16). See Figure 3.

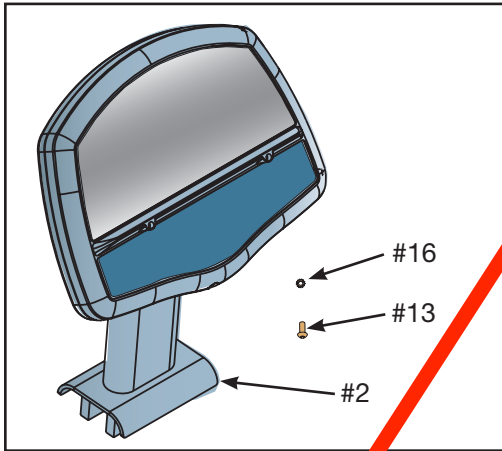


Figure 3

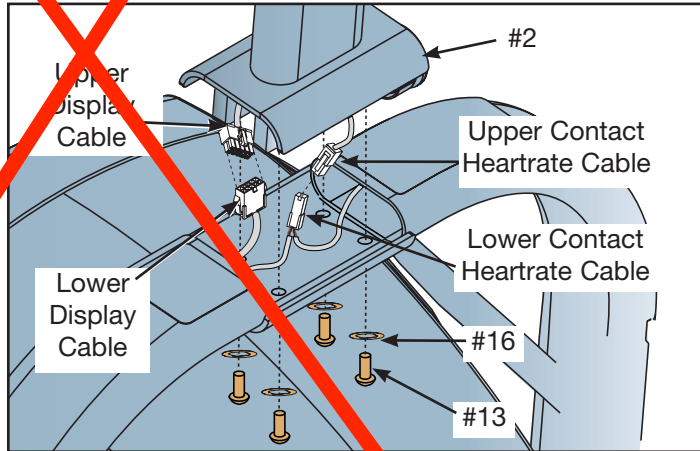


Figure 4

- B. Locate the upper display cable and plug it into the lower display cable in the main frame assembly. See Figure 4.
- C. Locate the upper contact heartrate cable and plug it into the lower contact heartrate cable in the main frame assembly. See Figure 4.

NOTE: Ensure cable connectors are securely fastened.

- D. Place the console assembly (#2) in the correct position on the main frame assembly and hand thread each of the four screws .375-16 x 1.50 (#13) and four washers (#16). See Figure 4.

NOTE: Confirm that no cables are pinched lowering the console.

- E. Securely fasten the screws .375-16 x 1.50 (#13) with the Allen wrench (#19) provided.

6. Remove the Left and Right handrails.

NOTE: The Left and Right handrails are shipped in the reverse positions. The handrails must be removed and swapped for proper setup and assembly. See Figure 5.

- A. Locate the two screws and washers that secure each handrail to the main frame. See Figure 6.
- B. Using a 7/32" Allen wrench (#18) remove the two screws and washers from the right handrail. See Figure 6.

NOTE: The right handrail is mounted on the left side. See Figure 5.

- C. Remove the right handrail and set aside.
- D. Remove the two screws and washers from the left handrail.

NOTE: The left handrail is mounted on the right side See Figure 5.

- E. Remove the left handrail from the right side. See Figure 5.

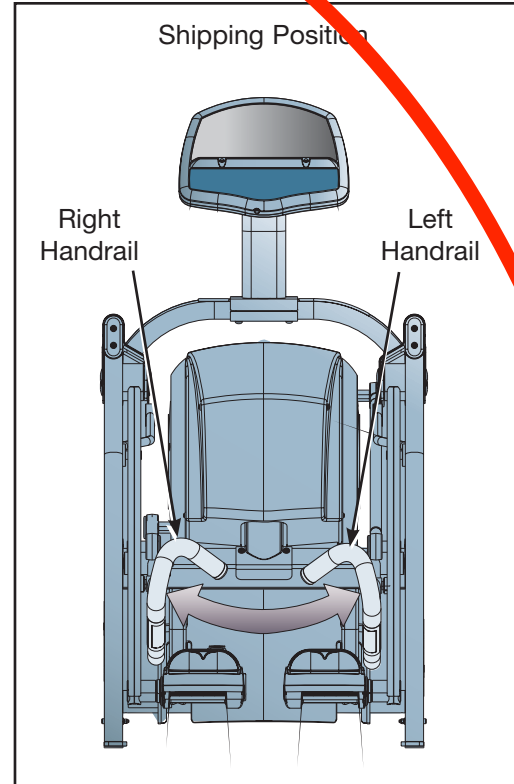


Figure 5

7. Install the Left handrail.

- A. Position the left handrail in the correct position on the left side where the right handrail was removed in step 6C.
- B. Apply Threadlocker (#11) to threads inside the arm and screws removed in step 6B.
- C. Secure the left handrail with the two screws and washers removed in step 6B. **NOTE:** When tightened properly, frame tabs are pulled tight to the bearing.
- D. Locate left linkage rod, left handrail, linkage rod cap (#17), flange spacer (#12), screw .250-20 x .75 (#15) and washer .281 x .50 (#20). See Figure 7.

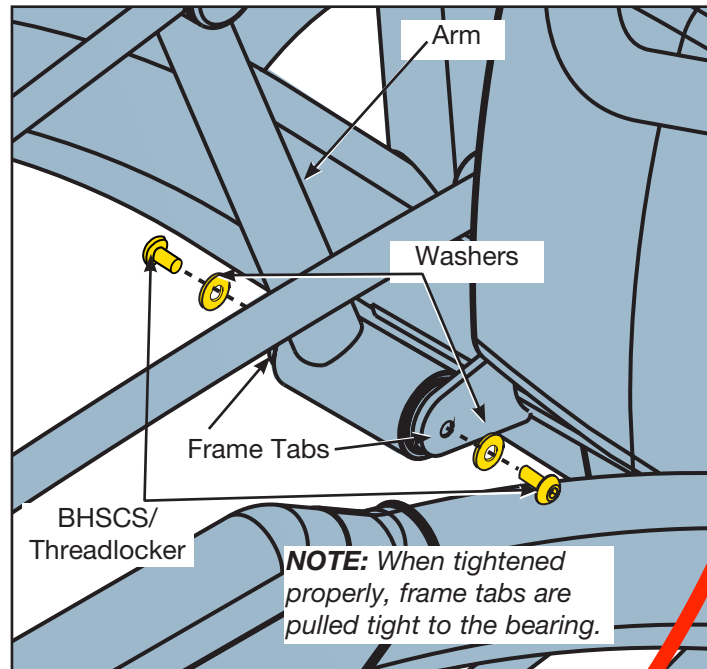


Figure 6

- E. Place a drop of threadlocker on each BHSCS and another drop inside the shaft (where each BHSCS will be tightened into). Then secure linkage rod to handrail with linkage rod cap (#17), flange spacer (#12), BHSCS/Threadlocker .250-20 x .75 (#15) and washer .281 x .50 (#20) as shown in Figures 7 and 9. **NOTE:** The BHSCS .250-20 x .75 (#15) must be tightened to a minimum of 90 inch-pounds.

8. Install the Right handrail.

- A. Position the right handrail in the correct position on the right side where the left handrail was removed in step 6C.
- B. Apply Threadlocker (#11) to threads inside the arm and screws removed in step 6D.
- C. Secure the right handrail with the two screws and washers removed in step 6D. **NOTE:** When tightened properly, frame tabs are pulled tight to the bearing.
- D. Locate right linkage rod, right handrail, linkage rod cap (#17), flange spacer (#12), screw .250-20 x .75 (#15) and washer .281 x .50 (#20). See Figure 8.
- E. Secure linkage rod to handrail with linkage rod cap (#17), flange spacer (#12), BHSCS .250-20 x .75 (#15) and washer .281 x .50 (#20) as shown in Figure 8 and 9. **NOTE:** The screw (#15) must be tightened to a minimum of 90 inch-pounds.

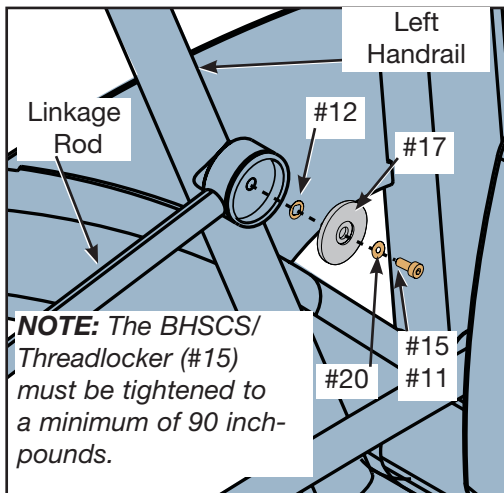


Figure 7

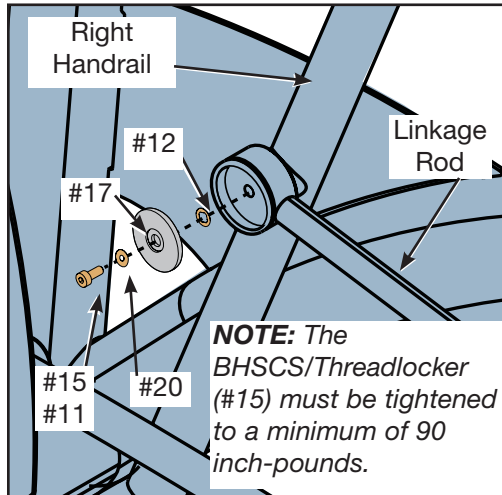


Figure 8

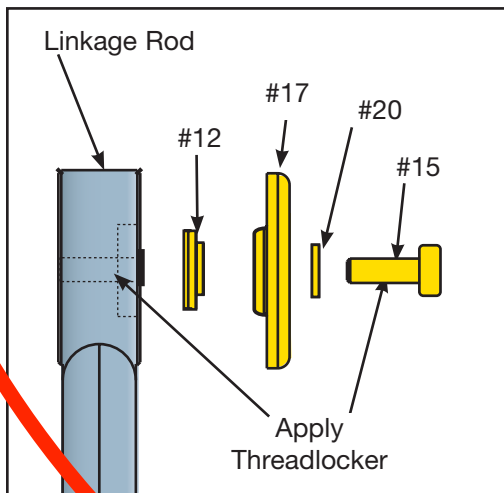


Figure 9

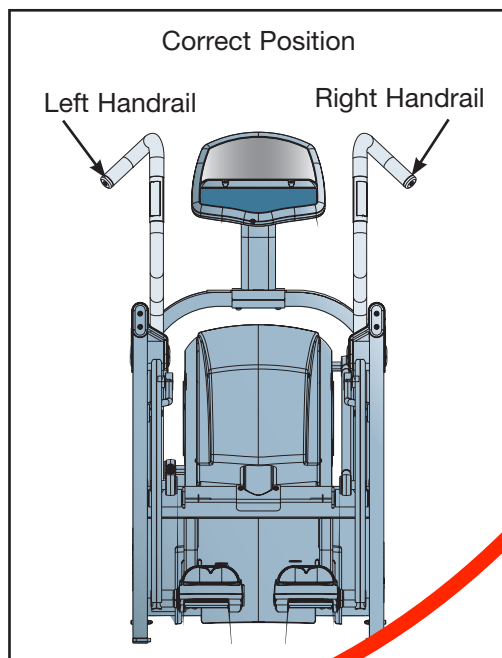


Figure 10

- F. Verify that handrails are now installed in the correct position as shown in Figure 10.

9. Connect Contact Heart Rate Cables.

- A. Locate contact heart rate wire exiting from the right handrail. See Figure 11.
- B. Plug heart rate cable into socket in main frame.
- C. Locate contact heart rate wire exiting from the left handrail.
- D. Plug heart rate cable into socket in main frame.

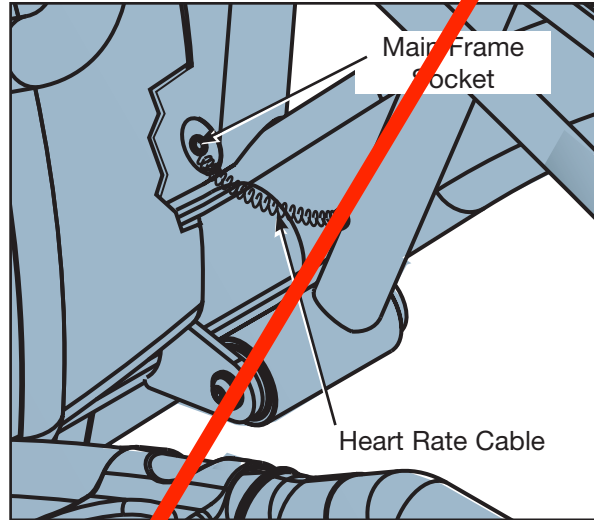


Figure 11

10. Attach the water bottle holder.

- A. Hold the water bottle holder (#3) with two hands and gently pull outward and continue to pull (hold open) during step 10B. See Figure 12.
- B. Place the water bottle holder (#3) over the frame with the larger side outside of the frame as shown in Figure 12.

NOTE: Water bottle holder may be placed on either side.

- C. Using a Phillips head screwdriver, attach the water bottle holder (#3) to the frame with the two 8-16-18 x 0.75 screws (#14). See Figure 13. **NOTE:** Do not overtighten.

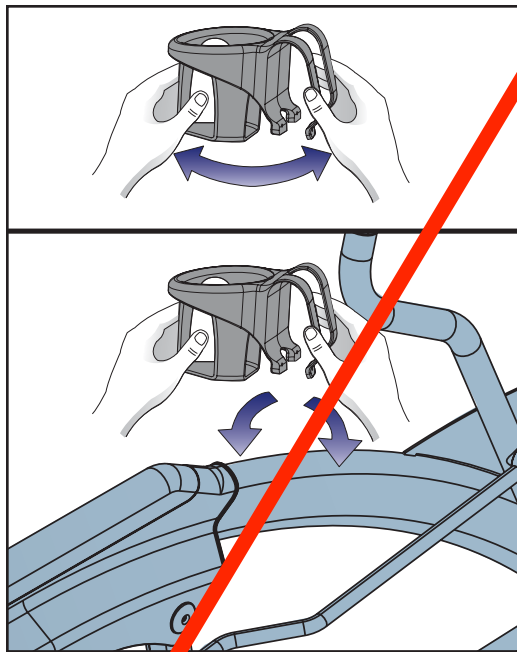


Figure 12

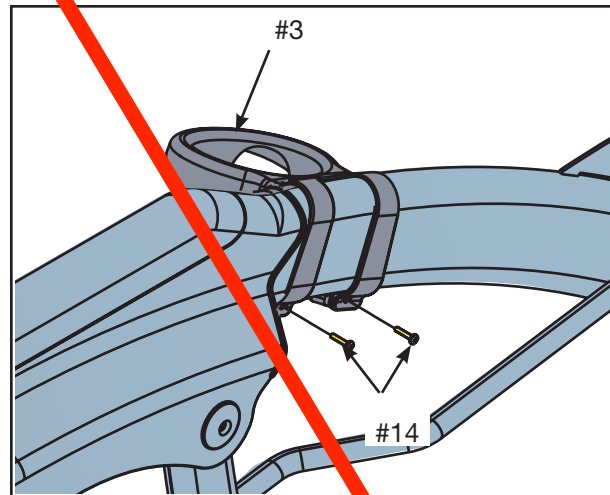


Figure 13

11. Attach the foot covers.

- A. Have one person lift the unit while a second person places a foot cover (#4) under each of the two back feet. See Figure 14.

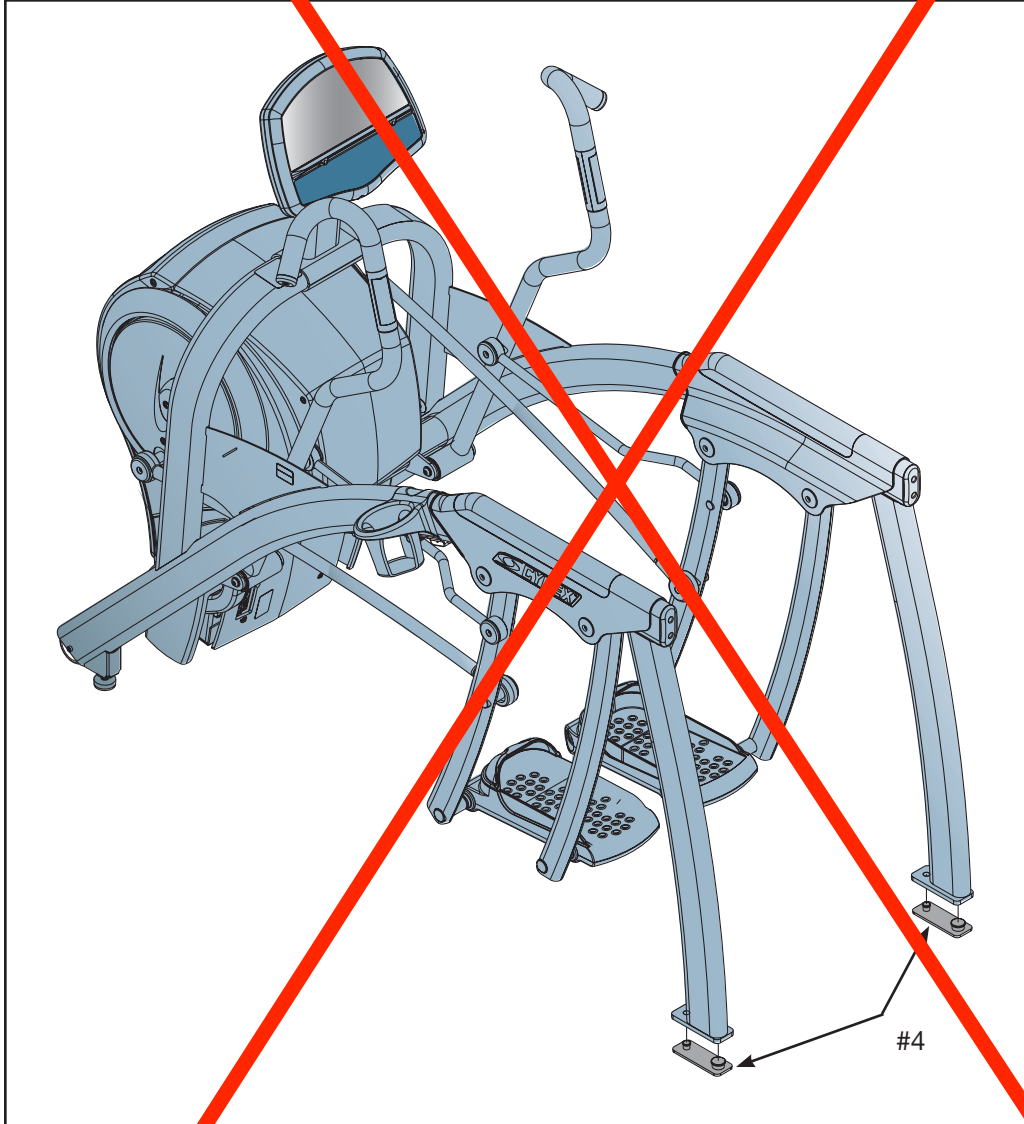


Figure 14

12. Level the unit.

- A. Confirm that the unit is on a level surface. If it is not, use a 9/16" open-end wrench to adjust the leveling feet up or down. See Figure 15.

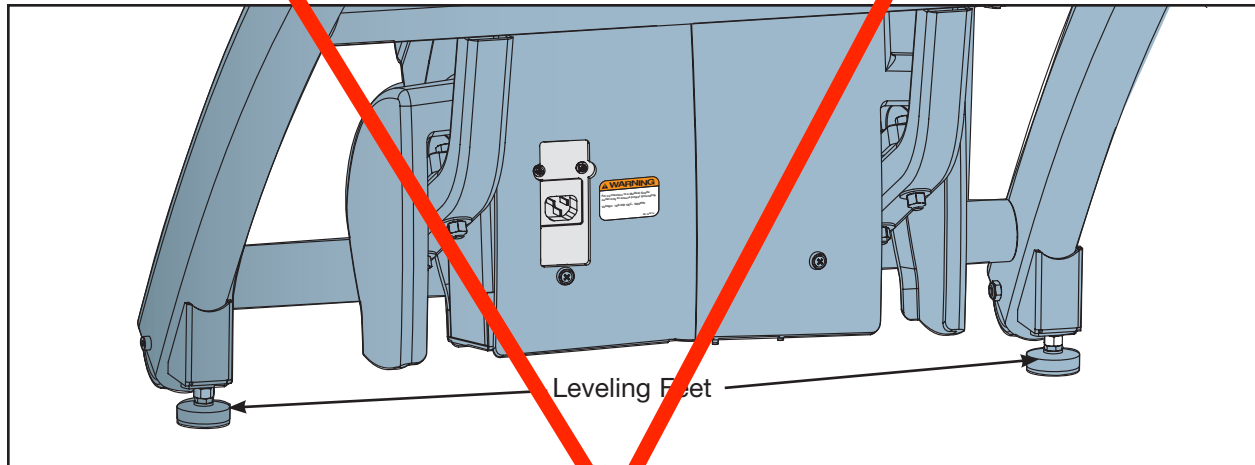


Figure 15

13. Connect the optional power cord.

NOTE: The power cord is included in the optional AC power kit.

- A. Plug the optional power cord (#5) into the inlet. **NOTE:** Do not plug the power cord into an outlet at this time. See Figure 16.

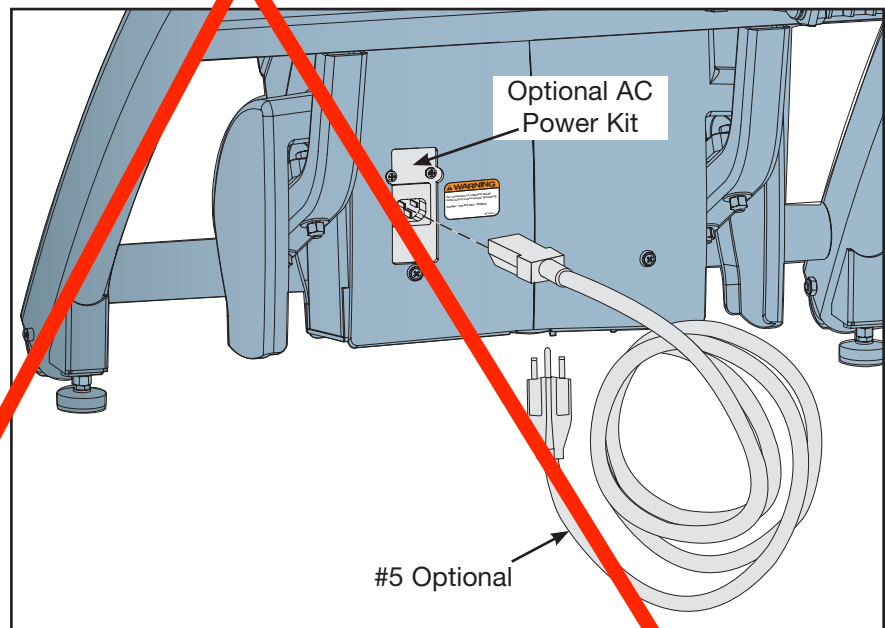


Figure 16

14. Visually inspect the unit.

- A. Carefully remove any package material from arms and rest of unit.
- B. Carefully examine the unit to ensure that the assembly is correct and complete.

! WARNING: Be sure that all electrical requirements are met as indicated in the specifications at the front of the manual and at the beginning of this chapter prior to proceeding.

Testing the Operation



Use the following instructions to test the full resistance and incline range of the unit.

1. Plug the optional power cord into a power outlet from a grounded circuit as described under Electrical Requirements in this chapter. **NOTE:** Coil up the remainder of the power cord and place it out of the way.
2. Observe that the control panel will illuminate and be in the Dormant Mode when using the optional power adapter.

NOTE: If you are not using the optional AC power kit, the display will not illuminate until step 4.

3. Hold the handrails to steady yourself while you step into the pedals.
4. Begin pedaling.
5. Press the **Quick Start** key.
6. Run the unit through its full resistance range. First press the **Resistance +** key until the unit reaches its highest load (the display will show "100"). Then press the **Resistance -** key until the unit reaches its lowest load (the display will show "0"). As you stride, you will feel the resistance change.

NOTE: When the unit reaches the set incline and resistance, the displays will stop flashing and remain steadily illuminated to indicate that the desired settings have been reached.

7. Run the unit through its full incline range. First press the Incline  key until the unit reaches its highest incline (the display will show "10"). Then press the Incline  key until the unit reaches its lowest incline (the display will show "0").

! WARNING: Wait until all moving parts come to a complete stop before dismounting.

8. Press **Pause/end** twice to bring the incline back to its start position, end the workout review, and return the display to Dormant Mode.
9. Wait until foot plates come to a complete stop before dismounting the unit. Hold the handrails to steady yourself while you step off the unit.

Setting Operation Options

NOTE: If using optional AC Power Kit, unplug unit from wall outlet.

1. Enter Test Mode by holding down any key for three seconds while pedaling the unit. The display will read "SArc".

NOTE: After changing any value, you must press **Enter** to save that value. When you press enter the display will read "updt" (updated) to confirm your selection.

2. Press the **Weight** key to set options, change values with **▲** and **▼** keys and press **Enter** to save your selection. Each time you press **Weight** the next set of data is displayed in the following order.

Unit - Choices are "Eng" (English) or "Euro" (metric) measurements. English is the default.

Scan - This turns on or off the data readout scan (unless a specific data key is pressed during a workout). Default is on.

Def - This is the default time for time based programs if user doesn't re-set **Time**. For example, if you press **Time** you can decrease or increase the set workout time up to the amount that the **Max** time is set. Choices (in minutes) include: 20, 30, 40, 50 and 60. Default is 20.

Max - This is the maximum amount of time the unit can run per use. You can limit the users time or choose "none" for unlimited time. Choices (in minutes) include: 20, 30, 40, 50, 60, 90, 120 and "none" for no time limit. Default is 60.

Idle (or Workout Review): - This is how long the unit retains and displays your current workout data during a pause in the workout or after a workout. Choices include: 20 seconds; 30 seconds; 40 seconds; 1 minute and 5 minutes; default is 20 seconds.

PD (Presence Detect) — This is how long the Arc will continue your workout session if the user steps off the pedals or stops moving. Choices are between 5 and 60 seconds. Default is 5 seconds. **NOTE:** See Presence Detect in Chapter 3 for further detail.

Remember: You must press Enter after changing a value for that value to be stored.

3. To exit Test Mode press the **Pause/end** key once.

Your unit is now ready for use. Follow the instructions in the Operation chapter to learn how to operate the unit.

! Warning: To prevent injury, this apparatus must be securely attached to the equipment in accordance with these installation instructions.

Cybox Personal Entertainment Monitor - Optional

Tools Required

- 3 mm Allen wrench (supplied with unit)
- 7/32" Allen wrench (supplied with unit)

1. Please read instructions thoroughly before beginning.

2. Verify the kit contents shown in Figure 17.

- A. Console with monitor mount (1), 630A-220
- B. Coax and power cables (1), 630A-104 (in Arc frame)
- C. Strain relief bushing (1), PP740000
- D. 3 mm Allen wrench (1), BK030210
- E. Poster (1), 630A-384 (not shown)
- F. Warranty sheet (1), LT-20219 (not shown)
- G. Cable tie (2), EW000028

3. Verify the monitor kit contents shown in Figure 18.

- H. Monitor (1), EE000005 or EE000007
- I. Remote control (1), EM000000
- J. Batteries, Remote control, AAA size (2) N/A
- K. Screws, Mounting, M4 x 0.7 x 10 mm (4), HC692860
- L. Washers, External Lock, (4), HS041300
- M. Washers, Flat, M4 (4), HS097600
- N. AC/DC Adapter (1), ET300038
- O. Power cord, 115 VAC 60 Hz (Country specific cords supplied with product), (1), EW600000
- P. Personal Entertainment Monitor Manual (1), LT-20191

4. Installing the coax and power cables in the console mount.

- A. Lay the console mount on the Arc Trainer as shown in Figure 19. **NOTE:** This will allow easier access to route the cable assembly.

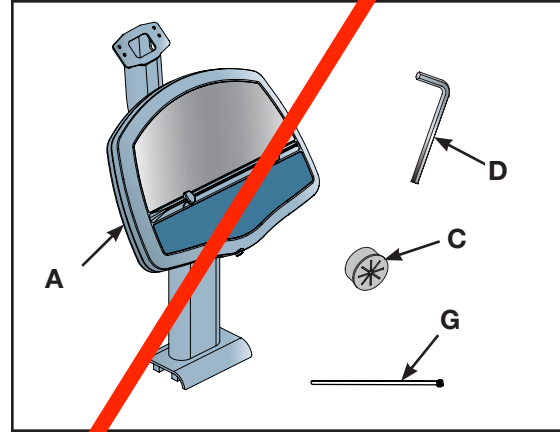


Figure 17

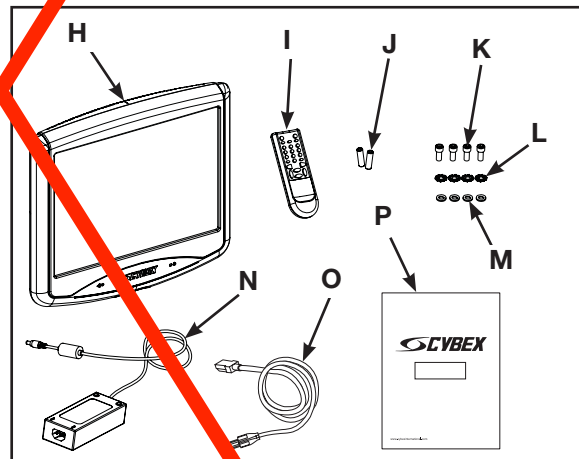


Figure 18

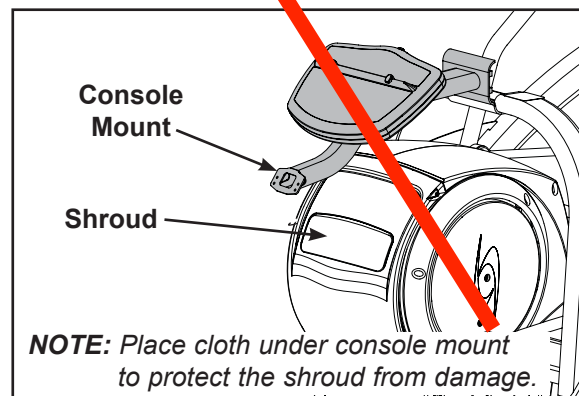


Figure 19

B. Locate the coax and power cables (B) exiting the top of the Arc frame.

C. Insert the coax and power cables (B) into the bottom of the console mount until 8" (20 cm) of cable exits the top. See Figure 20.

NOTE: Exactly 8" (20 cm) of cable must exit the top of the monitor mount.

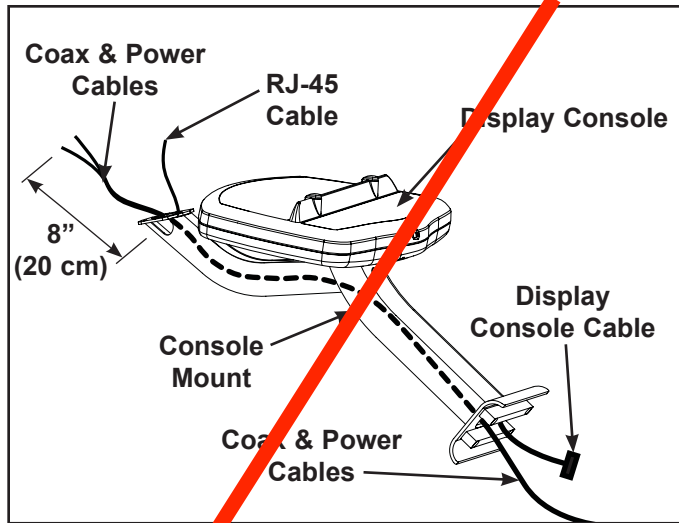


Figure 20

5. Attach the Console Assembly.

A. Locate the console assembly, four BHSCS (Button Head Socket Cap Screw) and four lockwashers.

B. Plug the upper display cable into the lower display cable in the main frame assembly. See Figure 21.

NOTE: Ensure cable connectors are securely fastened.

C. With 8" of coax and power cables (B) exiting the top of the console assembly, pull the extra coax and power cables out of the bottom of the main frame.

D. Place the console assembly in the correct position on the main frame assembly and hand thread each of the four BHSCS and four lockwashers. See Figure 21.

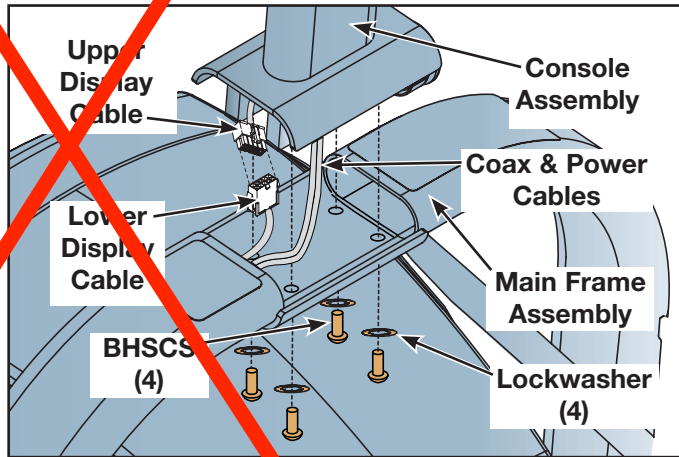


Figure 21

NOTE: Confirm that no cables are pinched lowering the console.

E. Securely fasten the four BHSCS using a 7/32" Allen wrench.

6. Install monitor

A. Locate monitor (H), four mounting screws (K), four lock washers (L) and four flat washers (M).

B. Remove the back cover from monitor (H) by pressing the bottom tabs of the cover in and rotating out. See Figure 22.

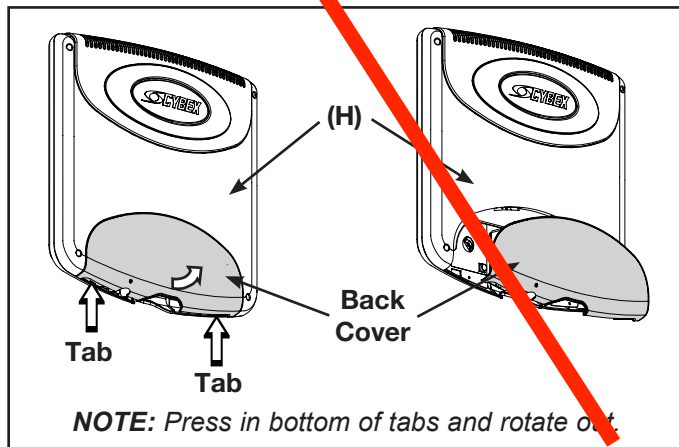


Figure 22

- C. Insert the power cable of (B) through hole on left side of monitor mount. See Figure 23.
- D. Insert the RJ-45 cable and the coax end of (B) through hole on right side of monitor mount. See Figure 23.
- E. Using a 3 mm Allen wrench secure the monitor bracket to the monitor mount using the four mounting screws (K), four lock washers (L) and four flat washers (M). See Figure 23.
- F. Insert the power cable, coax cable and RJ-45 cable into the monitor as shown in Figure 24. **NOTE:** Use of the CSAFE port is optional and requires a CSAFE cable and device.
- G. Secure the power cable to the monitor plate using the cable tie (G). See Figure 25.
- H. Install the back cover to the monitor (H). See Figure 26.

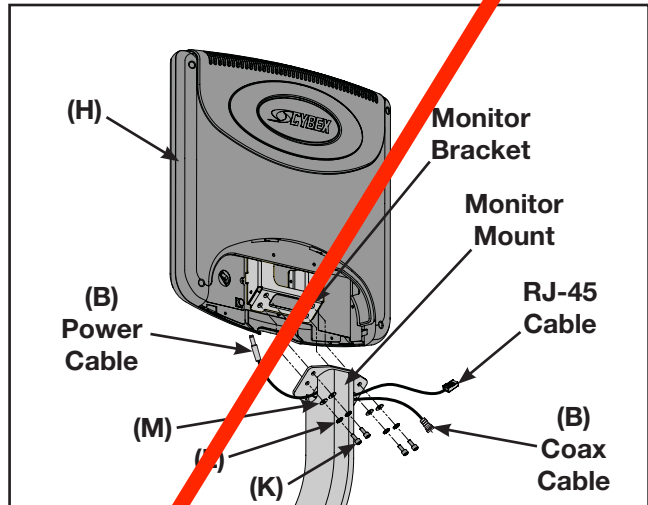


Figure 23

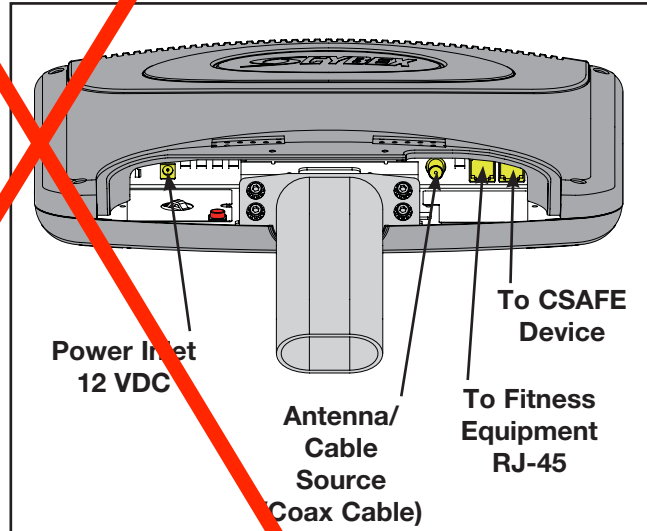


Figure 24

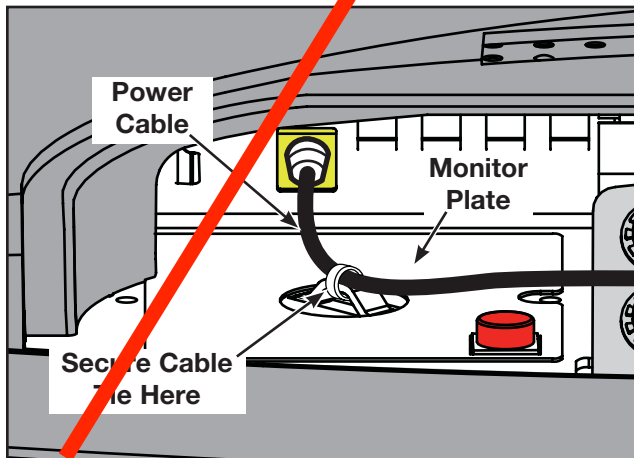


Figure 25

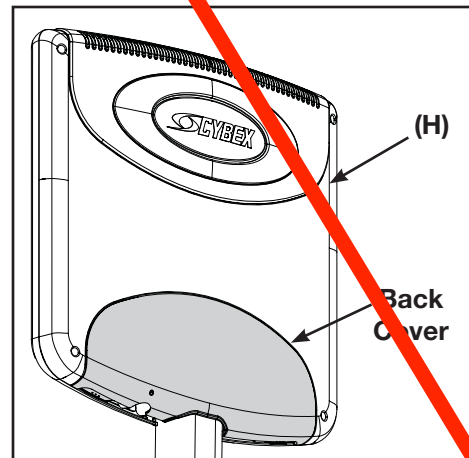


Figure 26

8. Plug in AC/DC Adapter and coax cables.

- A. Locate the AC/DC adapter (N) supplied with the monitor and plug into the power cable exiting the base of the Arc.
- B. Plug the power cord (O) into the AC/DC adapter (N). **NOTE:** Power cord (O) varies by country.
- C. Thread the antenna/cable source cable (supplied at the site location) into the coax cable exiting the base of the Arc.

9. Set up monitor for first time use.

- A. Locate the personal entertainment monitor manual (LT-20191) and follow the set up procedure in Chapter 5.
- B. Plug the power cord (O) into a wall outlet.
- C. Plug headphones (not supplied) into headphone jack located at base of console.
- D. Refer to Chapter 3 of the personal entertainment monitor manual (LT-20191) regarding use of the channel and volume keys located on the lower center of the Arc console. See Figure 27.

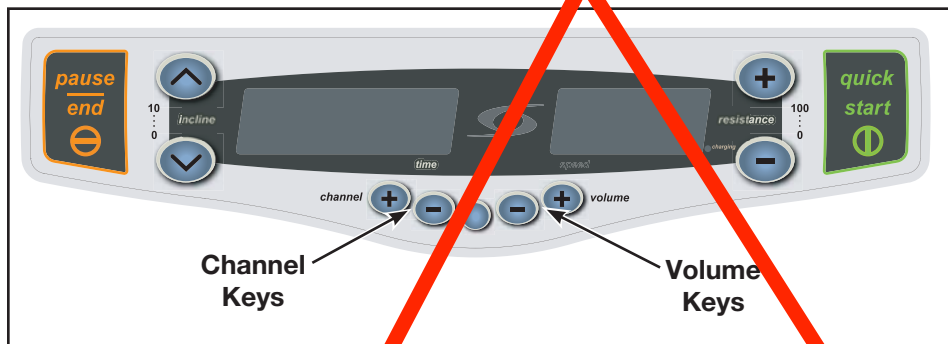


Figure 27

10. Continue on with Step 6 on page 5-6.

Total Access Arm Lock Assembly

NOTE: Total access arm lock assembly is only used on total access unit.

Tools Required

- 5/32" Allen wrench
- 7/16" Open end wrench
- Drill
- 9/32" Drill bit (supplied with unit)

1. Please read instructions thoroughly before beginning.

2. Verify kit contents. See Figure 1.

- A. Arm lock assembly, (1), 630A-150
- B. Locking assembly template, (1), 630A-345
- C. BHSCS .250-20 x .625, (3), HC620414
- D. Nylon locknut, (3), HN625200
- E. Washer SAE .250, (3), HS307600
- F. 9/32" Drill bit, (1), TE000009

3. Attach locking arm template.

- A. Attach locking arm template (B) to the outer right side plate and tape in place. See Figure 2.
- B. Using a drill and the 9/32" drill bit (F), drill four holes as shown on the locking arm template. See Figure 2.

C. Remove locking assembly template.

4. Attach locking arm assembly.

- A. Place locking arm assembly on the side plate. See Figure 3.
- B. Using a 5/32" Allen wrench and a 7/16" open end wrench, attach the four Button Head Socket Cap Screws (BHSCS) (C), washers (E) and nylon locknuts (D) securing the locking arm assembly (A) to the side plate. See Figure 3.

C. Test the unit to verify proper operation.

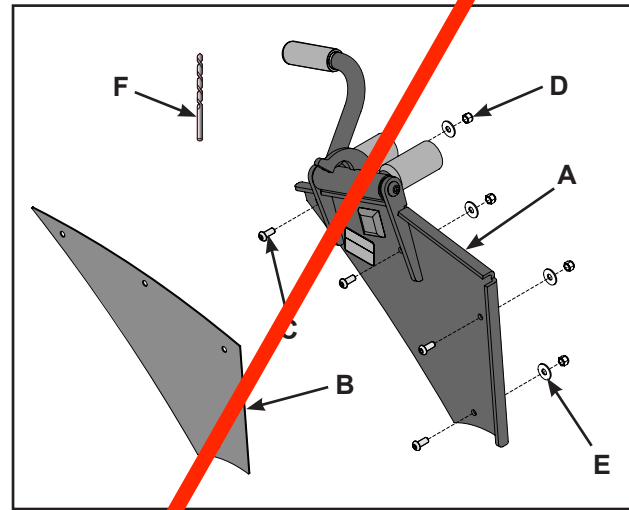


Figure 1

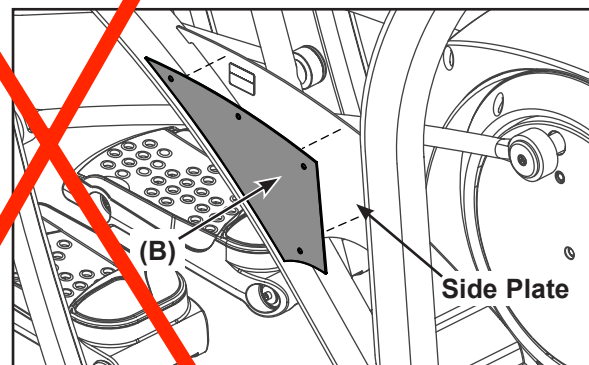


Figure 2

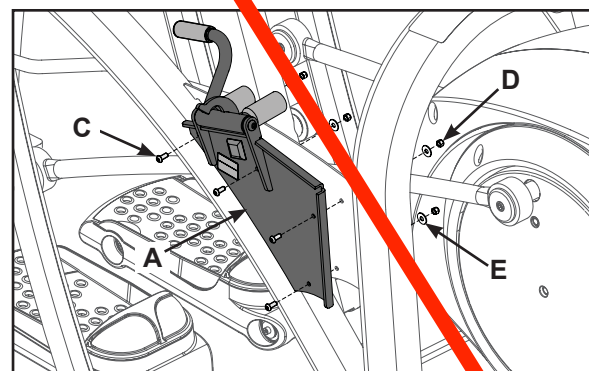


Figure 3

Side Handles - Optional

NOTE: (1) Standard for Total Access units.
(2) Optional for standard units.

Tools Required

- 7/32" Allen wrench (2)

1. Please read instructions thoroughly before beginning.

2. Verify kit contents. See Figure 1.

- A. Left hand side handle, (1), 610A-21
- B. Right hand side handle, (1), 610A-21
- C. Pivot shaft retainer, (4), 610A-377
- D. BHSCS .375-16 x 1.00 SS, (4), HX7004
- E. Loctite, (1), YA000201 (not shown)

3. Install the handles.

A. Using two 7/32" Allen wrenches, remove two of the four BHSCS securing one of the pivot covers. **NOTE:** Remove one of the two screws in the front and one of the two in the back. The other two screws will remain loctited into the shaft. See Figure 2.

B. If an inside screw broke from the loctite and an outside screw did not, then remove the shaft and reinstall it on the other side so that the handle bracket can be installed on the outside part of the frame.

C. Place a drop of loctite (E) on two new BHSCS. Place another drop of loctite in the shaft (where each BHSCS will be tightened into).

D. Install the side handle using the two retainers and BHSCS. Tighten both screws securely. See **NOTE:** Install the handle bracket so that the handle is toward the front. Figure 3.

E. Repeat steps 3A through 3D to install the other side handle.

F. Test the unit to verify proper operation.

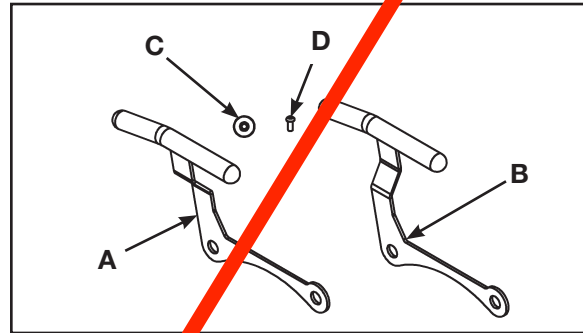


Figure 1

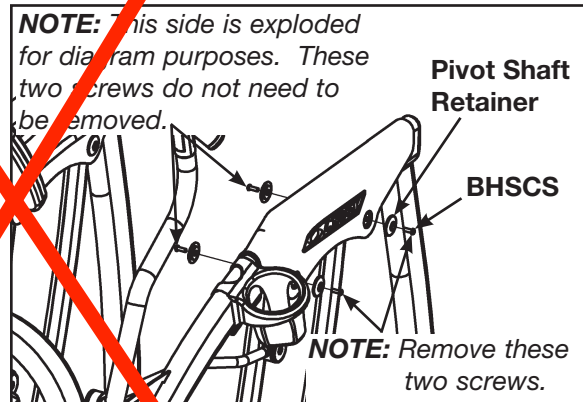


Figure 2

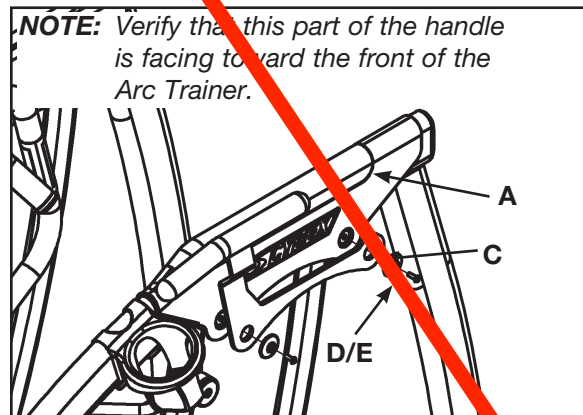
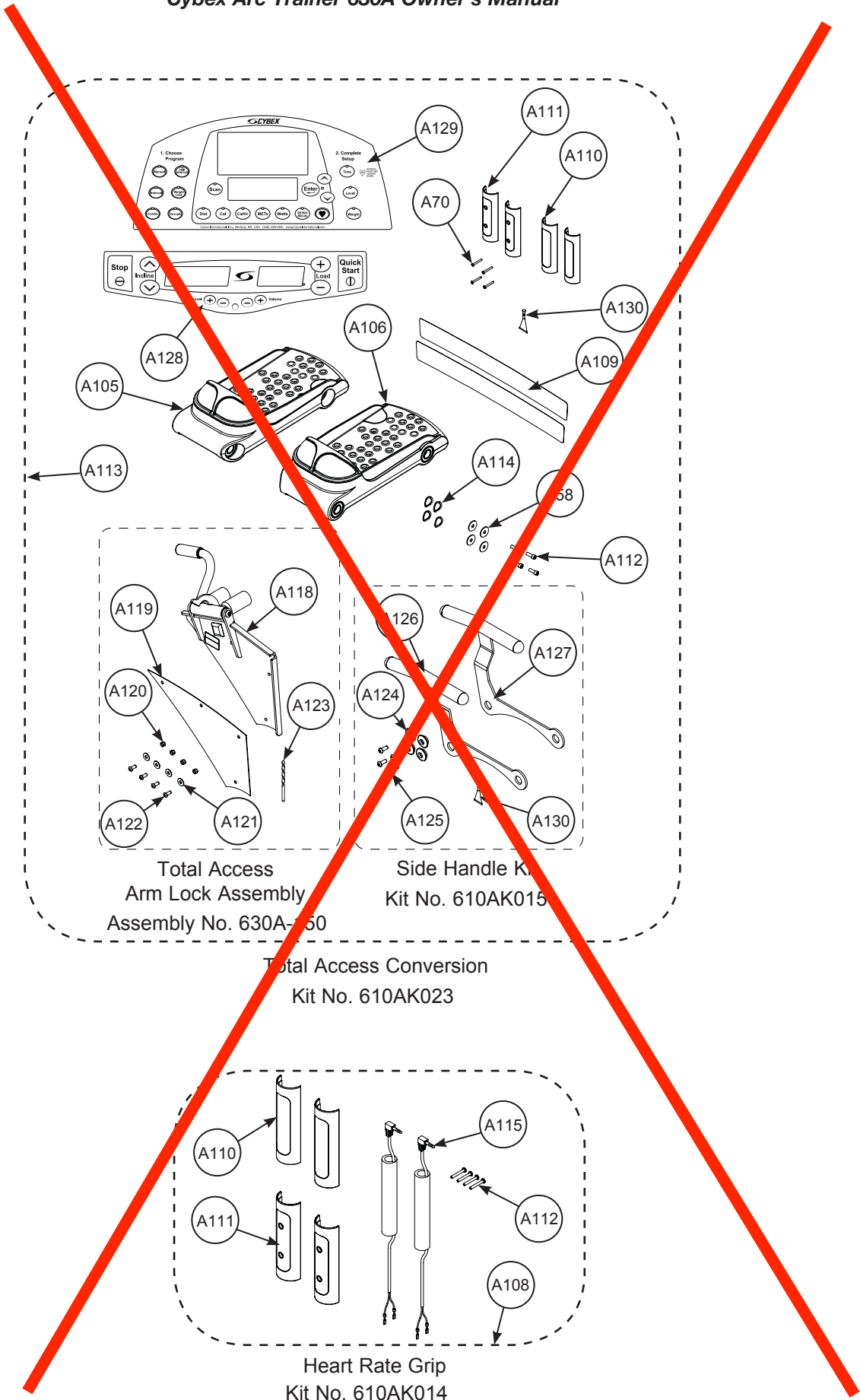


Figure 3



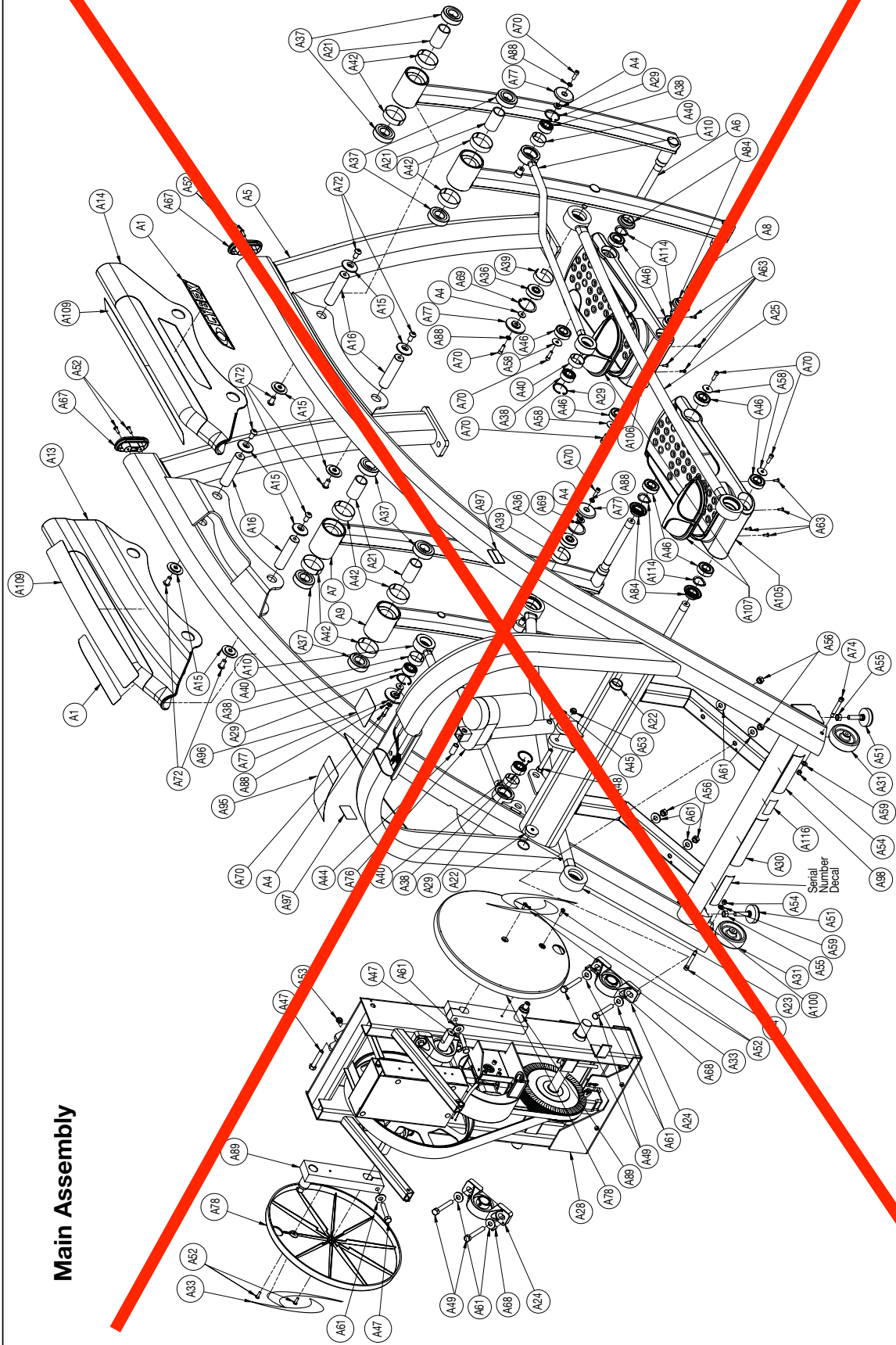
Total Access
Arm Lock Assembly
Assembly No. 630A-150

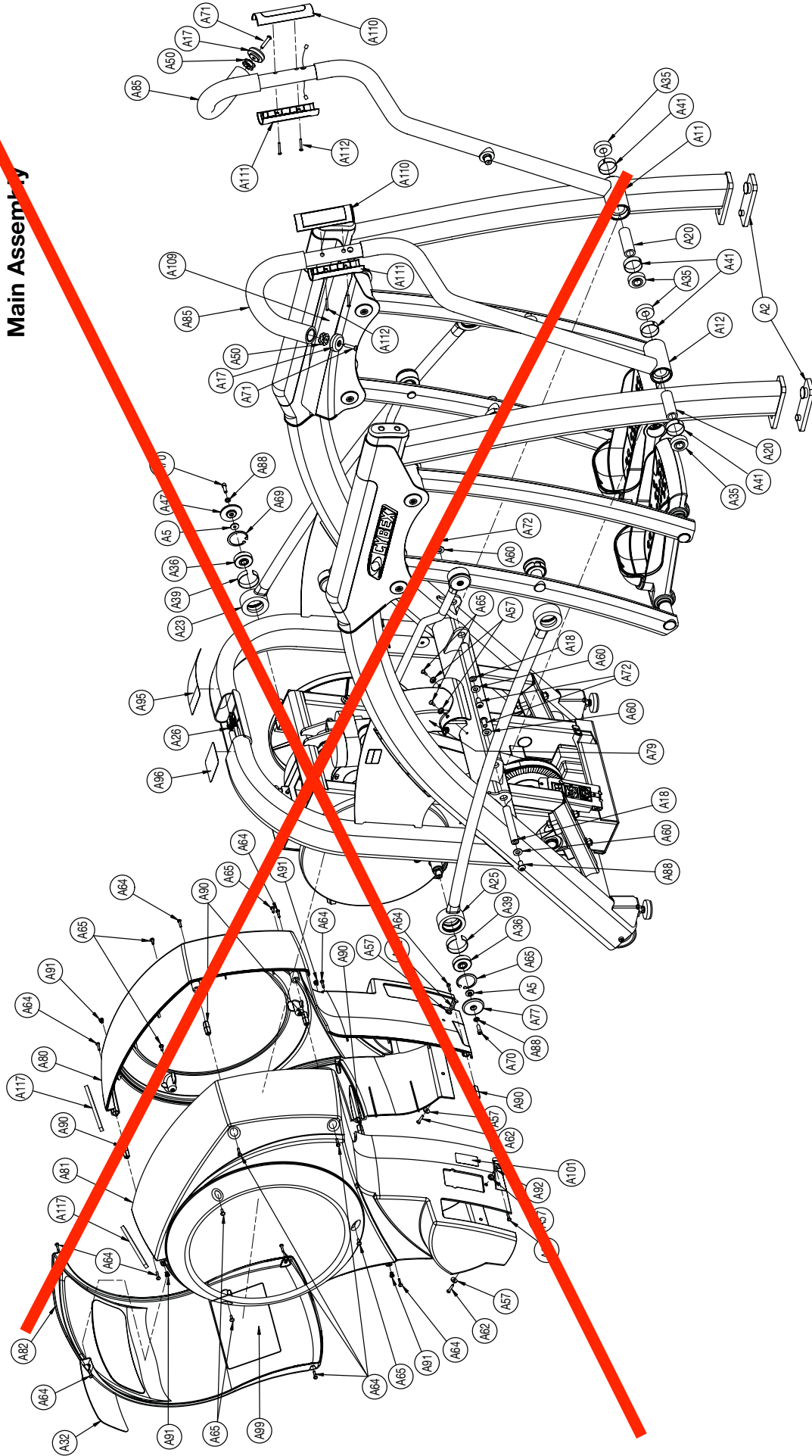
Side Handle Kit
Kit No. 610AK015

Total Access Conversion
Kit No. 610AK023

Heart Rate Grip
Kit No. 610AK014

Main Assembly





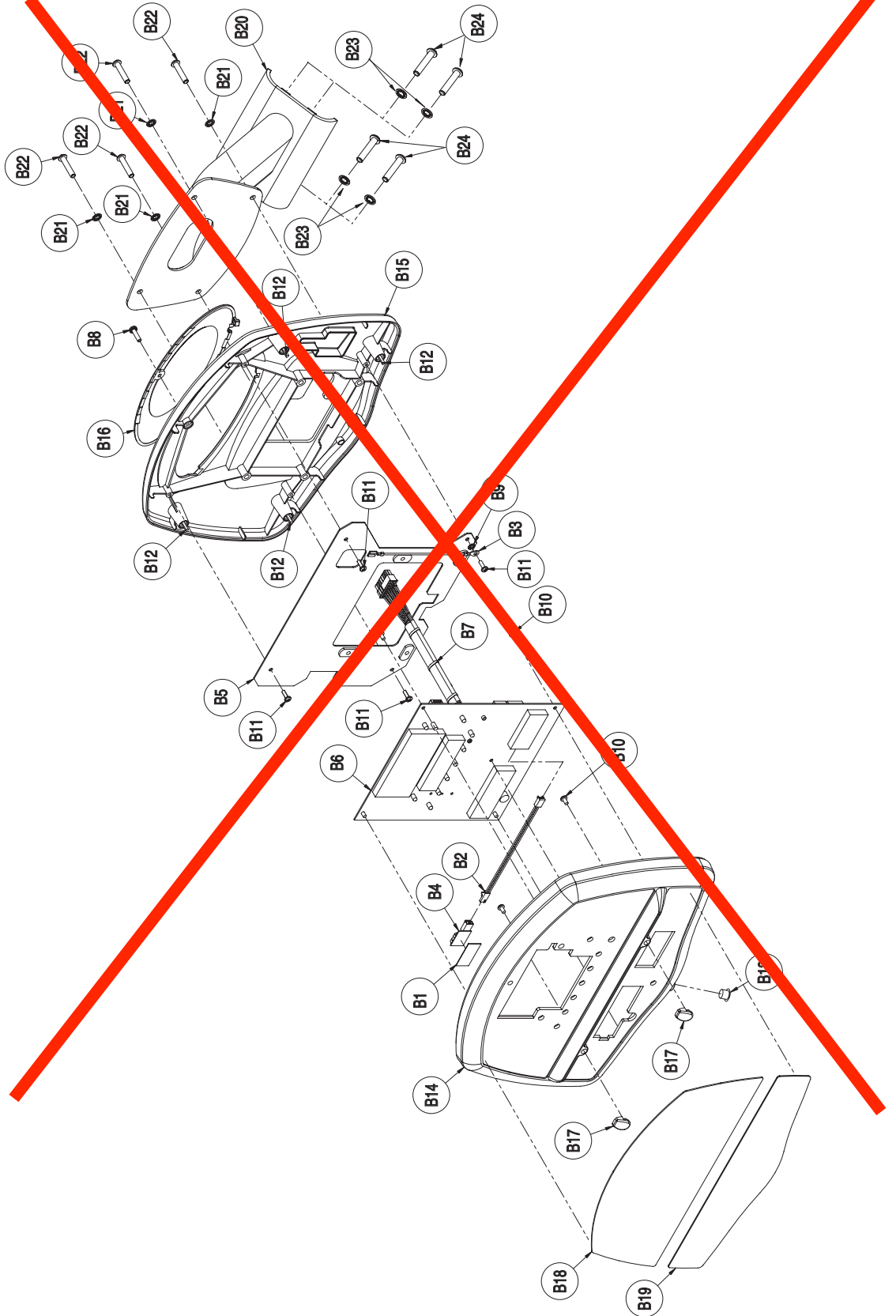
Main Assembly

NOTE: *Parts lists and exploded views of the console and handrail assembly are on the pages that follow.*

Console Assembly

ITEM	QTY	PART NO.	DESCRIPTION
B1	1	01250	Tape, Double Coated .75
B2	1	610A-103	Cable, Embedded Polar Jumper
B3	1	610A-104	Cable, Chr Chassis Ground
B4	1	EC-19236	Sensor, Polar Wireless Remote Mount
B5	1	610A-396	Plare, Console Mounting
B6	1	AD-19140	PCA, 630A Main Display
B7	1	AW-18440	Harness, 630A Console
B8	1	HJ582515	Screws, Sems, 10-32 x .72 Phil Pan, BLK Zinc
B9	1	HS087300	Lockwasher Ext Tooth No. 8 Zinc
B10	7	HT552509	Screw, Tap 8-16 x .31 Plastite
B11	4	HT552512	Pan HD Phil HD Self Tap, 8-16 x .50, Type WB
B12	4	HT552515	Pan HD Phil HD Self Tap, 8-16 x .75, Type WB BLK
B13	1	PP080207	Mount, Plastic .437 Dia .11 Gauge
B14	1	PP620003	Console, Front Plastic
B15	1	PP620004	Console, Top Plastic
B16	1	PP620005	Cover, Console Battery Door
B17	2	PP620006	Tab, Hook Holder
B18	1	SW-18276-*	Membrane, 610A Top, Univ
B19	1	SW-19296	Membrane, 610A Bottom W/O AV, Upper
B20	1	610A-396	W Console Mount
B21	4	HX607400	Lockwasher Int Tooth .250 SS
B22	4	HX620420	BHSCS .250-20 X 1.250 SS
B23	4	JS347400	Lockwasher In Tooth .375
B24	4	JC700422	BHSCS .375-16 X 1.50

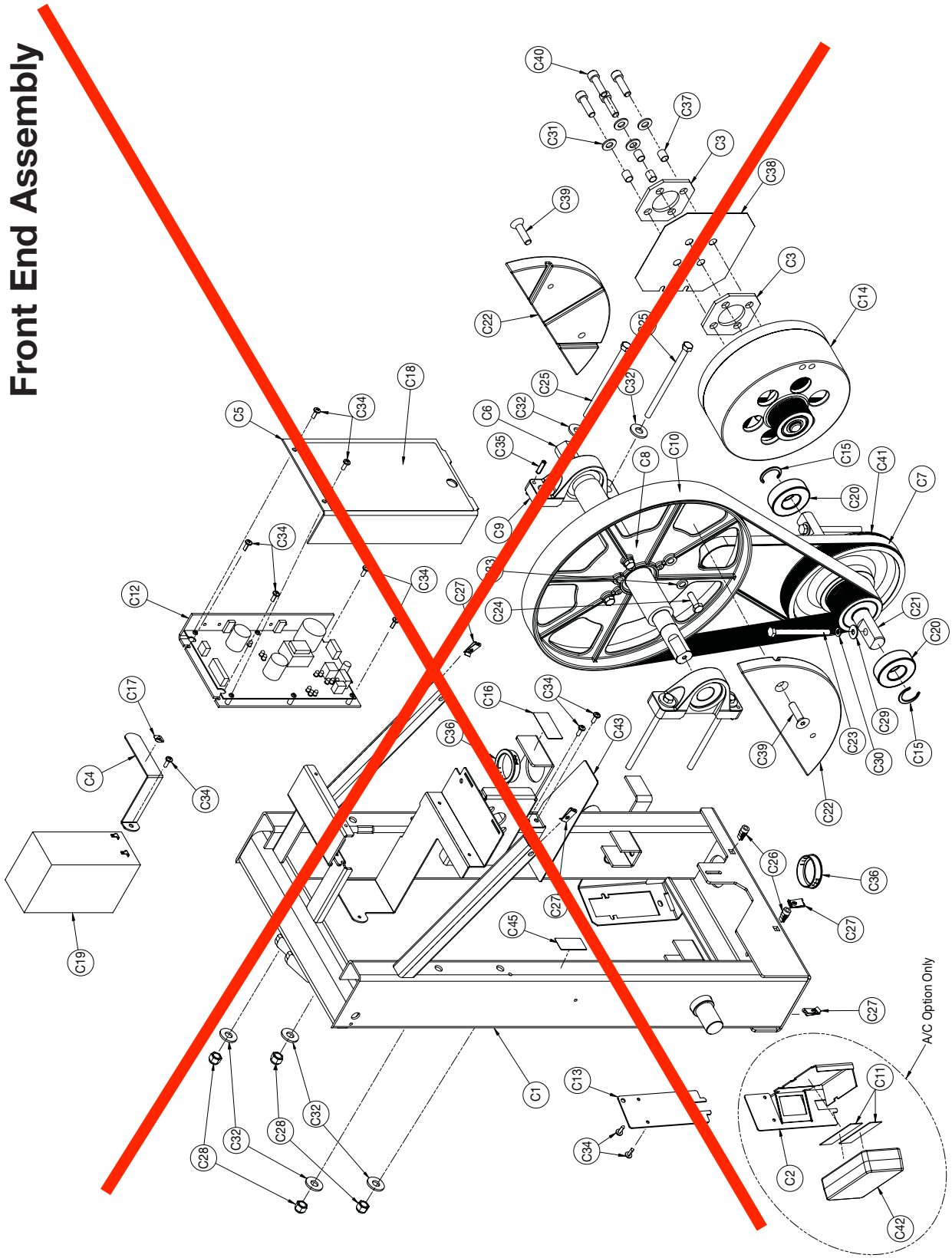
Console Assembly



Front End Assembly

ITEM	QTY	PART NO.	DESCRIPTION	ITEM	QTY	PART NO.	DESCRIPTION
C1	1	630A-200	Frame, Front	C27	4	HF579000	Nut, U type 10-24 Panel
C2	1	630A-201	Bracket, Transformer	C28	4	HN704901	Locknut, .375-16 Nylon
C3	2	630A-305	Spacer, Insulating	C29	2	HS307600	Washer, SAE .250
C4	1	630A-314	Clamp, Battery	C30	2	HS308300	Lockwasher Split #250
C5	1	630A-316	Controller Cover	C31	4	HS347600	Washer, Sae .375
C6	1	600A-313	Shaft	C32	8	HS347700	Washer, SAE .375
C7	1	630A-328	Belt, Secondary Drive 7 Rib	C33	4	HS760100	Spring Retaining Washer
C8	1	600A-337	Pully, Poly-V Die Cast, 16 Grooves	C34	11	HT572512	Screw, Tap No. 10 - 24 X .50 Pan Head
C9	2	600A-340	Bearing, 1.00 Inch Pillow Block	C35	2	HX-17023	Pin, Spring .1875 x .75 LG Type 420
C10	1	600A-343	Belt, Primary Drive 16 Rib	C36	2	HX-17050	Bushing, 1.275 ID x 1.87 OD, Nylon
C11	2	01250	Double Sided Foam Tape, 0.75	C37	4	630A-27	Sleeve, Generator Isolation
C12	1	AD-18442	PCA, Control Board	C38	1	HY-19504	Spacer, Generator Isolation
C13	1	AF-19518	Plate, Power Inlet, Blank	C39	2	JC700922	Screw, FHSCS .375-16 X 1.50
C14	1	AX-19550	Assembly, Brake Generator	C40		JC702820	Screw, Soc Hd Cap .375 X 16 X 1-1/4
C15	2	BR030221	Ring Retaining, Exterior Crescent	C41	1	PW-16521	Pulley, Drive
C16	1	DE-17155-*	Warning Decal	C42	1	TH-18448	Transformer, 24v DC IEC-320 Input
C17	1	DE-19586	Decal, Warning Icon, Battery	C43	1	630A-315	Plate
C18	1	DE-19593-*	Decal, Lower Control Cover	C44	1	AW-18447	Battery Cable (Not Shown)
C19	1	EC-18267	Battery, 12 VDC	C45	1	CM000243	Label, Calibration
C20	2	FB030243	Bearing, 25 MM ID X 52 MM OD 6205				
C21	1	FM-16859	Shaft, Lower				
C22	2	FM-19507	Counterweight, Pulley				
C23	2	HC661240	Screw, Hex Head Cap .312-18 x 3.75				
C24	4	HC661217	HX HD Cap Screw .312-18 x 1.00				
C25	4	HC701254	HX HD Cap Screw .375-16 x 5.50				
C26	2	HF540201	Nut, Conomet, Spacer				

Front End Assembly



This page intentionally left blank

