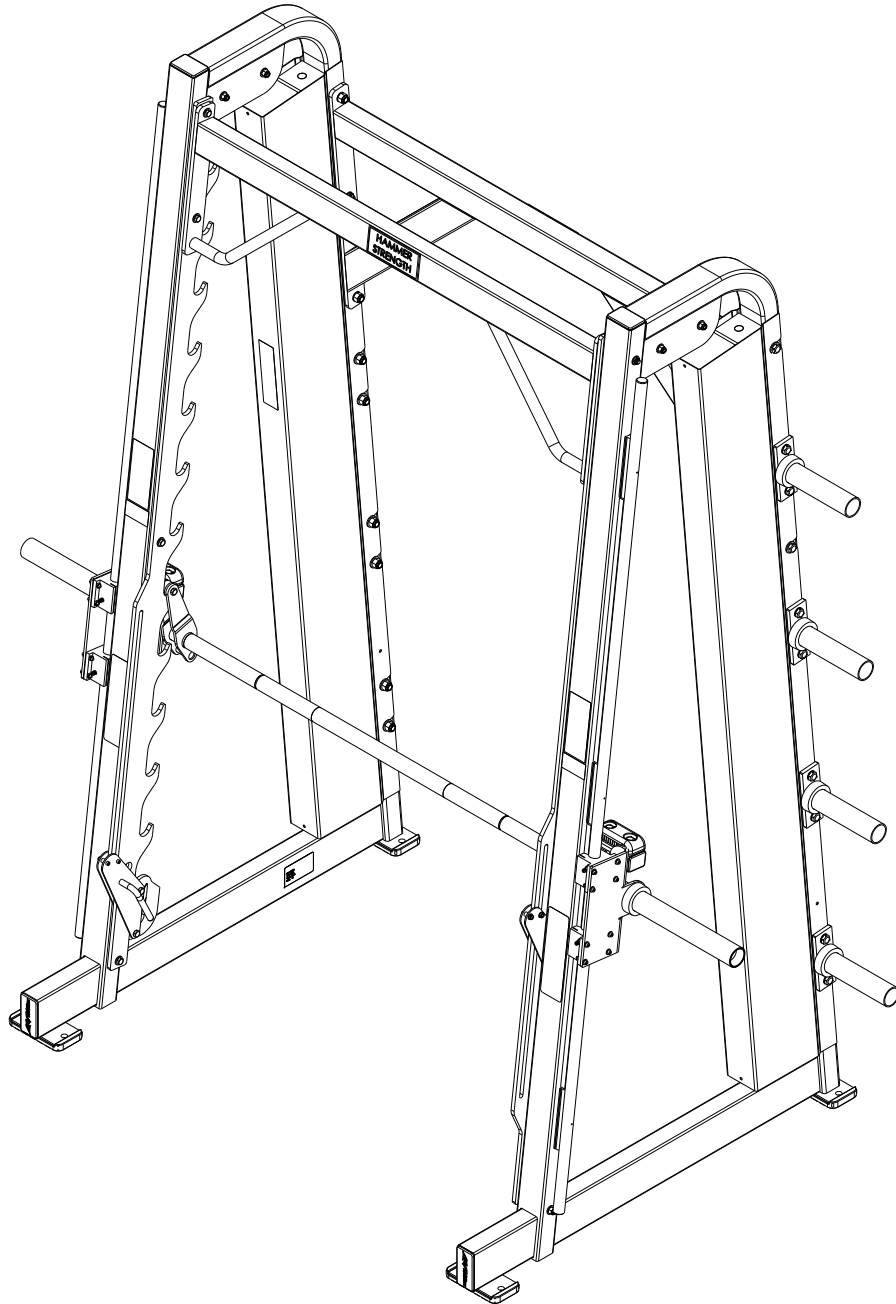




HAMMER STRENGTH
PLSM
PLATE LOADED SMITH MACHINE



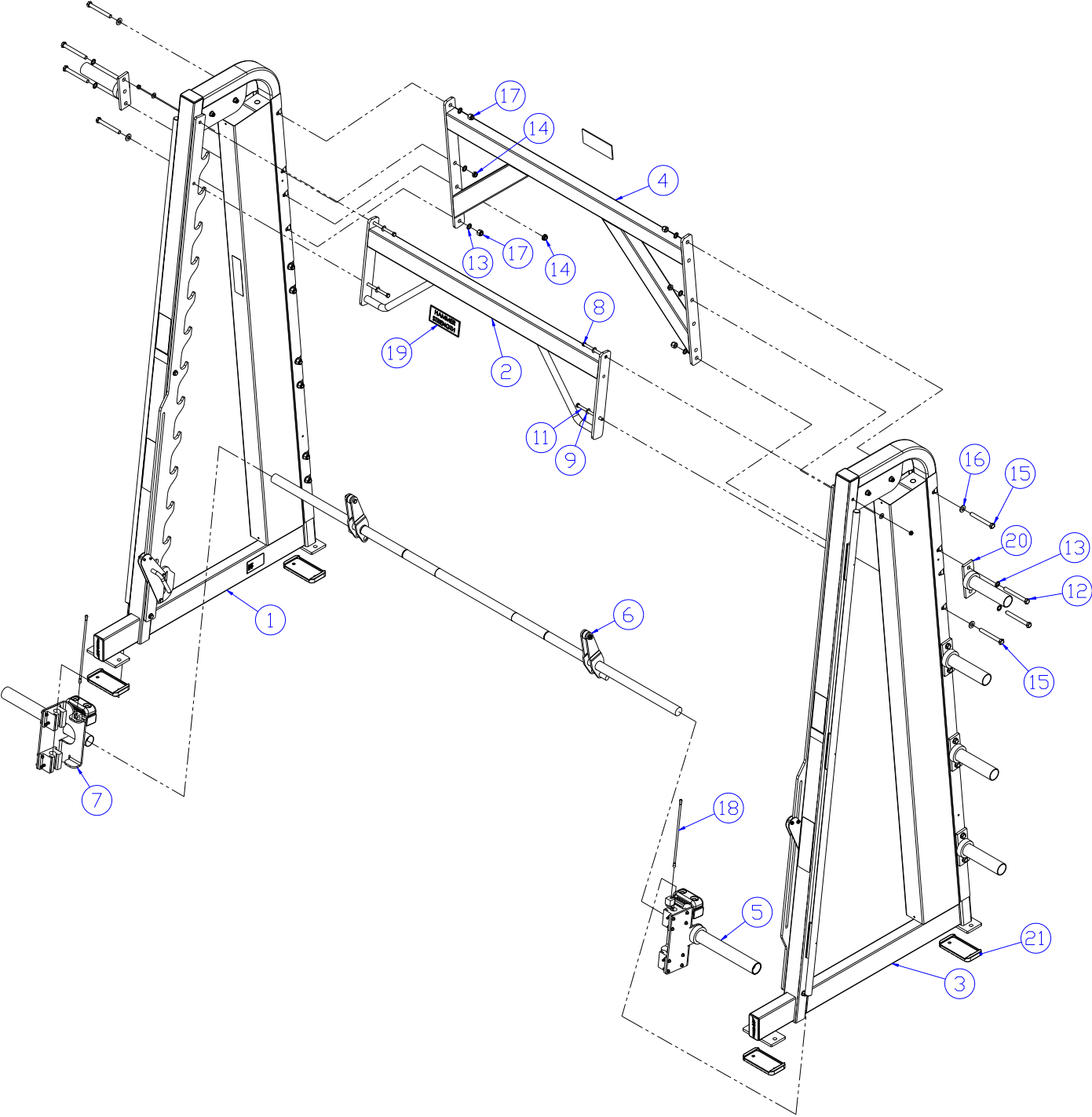
Customer Support Services
PARTS LIST

PLSM PLATE LOADED SMITH MACHINE

Contents

- Component Assembly 3
- Component Assembly Legend 4
- Left Side Frame Assembly 5
- Left Side Frame Assembly Legend 6
- PLSM Left Carriage Assembly 7
- PLSM Bar Assembly 8
- Right Side Frame Assembly 9
- Right Side Frame Assembly Legend 10
- PLSM Right Carriage Assembly 11
- PLSM Counter Weight Assembly 12
- Weight Horn Assembly 13

PLSM PLATE LOADED SMITH MACHINE COMPONENT ASSEMBLY



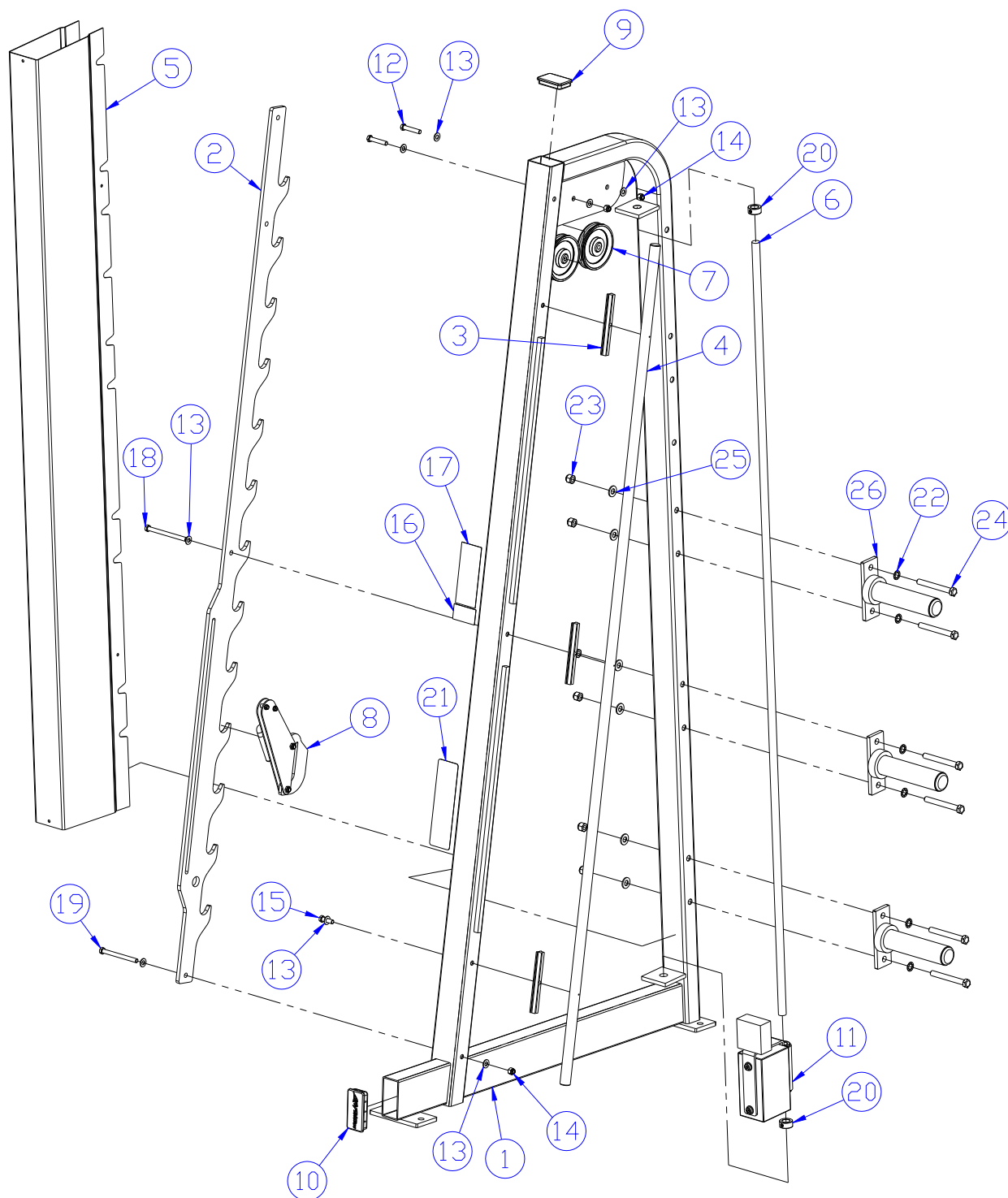
SEE PAGE 4 FOR LEGEND

PLSM PLATE LOADED SMITH MACHINE COMPONENT ASSEMBLY LEGEND

ITEM NO.	QTY.	PART NO.	DESCRIPTION
1	1	7666901	ASSY, PLSM SIDE FRAME RIGHT
2	1	7669601	WLDMT, PLSM FRONT BRACE
3	1	7669101	ASSY, PLSM SIDE FRAME LEFT
4	1	7670101	WLDMT, PLSM BACK BRACE
5	1	NLA	ASSY, PLSM CARRIAGE RIGHT
6	1	7666401	ASSY, PSLM BAR
7	1	NLA	ASSY, PLSM CARRIAGE LEFT
8	2	3223315	3/8-16 X 4.50 HEX HEAD BOLT
9	6	3236601	WASHER, 3/8 SAE SS
10	2	3102807	NUT, NYLOCK 3/8-16 LOW HT
11	2	3223317	3/8-16 X 5.00 HEX HEAD BOLT
12	4	3239318	1/2-13 X 4.50 UNS HEX FHB G5 ZN
13	12	3239505	WSH, .500 IN-D ST ZN
14	4	3102804	NUT, NYLOCK-JAM 1/2-13 ST ZN
15	4	3239317	1/2-13 X 4.25 UNS HEX FHB G5 ZN
16	4	3102507	WASHER, TYPE A PLAIN
17	4	3102801	NUT, NYLOCK 1/2-13 ST ZN
18	2	7671701	CABLE, PLSM
19	2	M051-00289-A000	HAMMER STRENGTH NAME PLATE
20	2	7760201	ASSY, WEIGHT HORN
21	4	7388201	FOOTPAD, PS RUBBER

CARRIAGE ASSEMBLIES (#5 & 7) NO LONGER AVAILABLE

PLSM PLATE LOADED SMITH MACHINE LEFT SIDE FRAME ASSEMBLY - 7669101

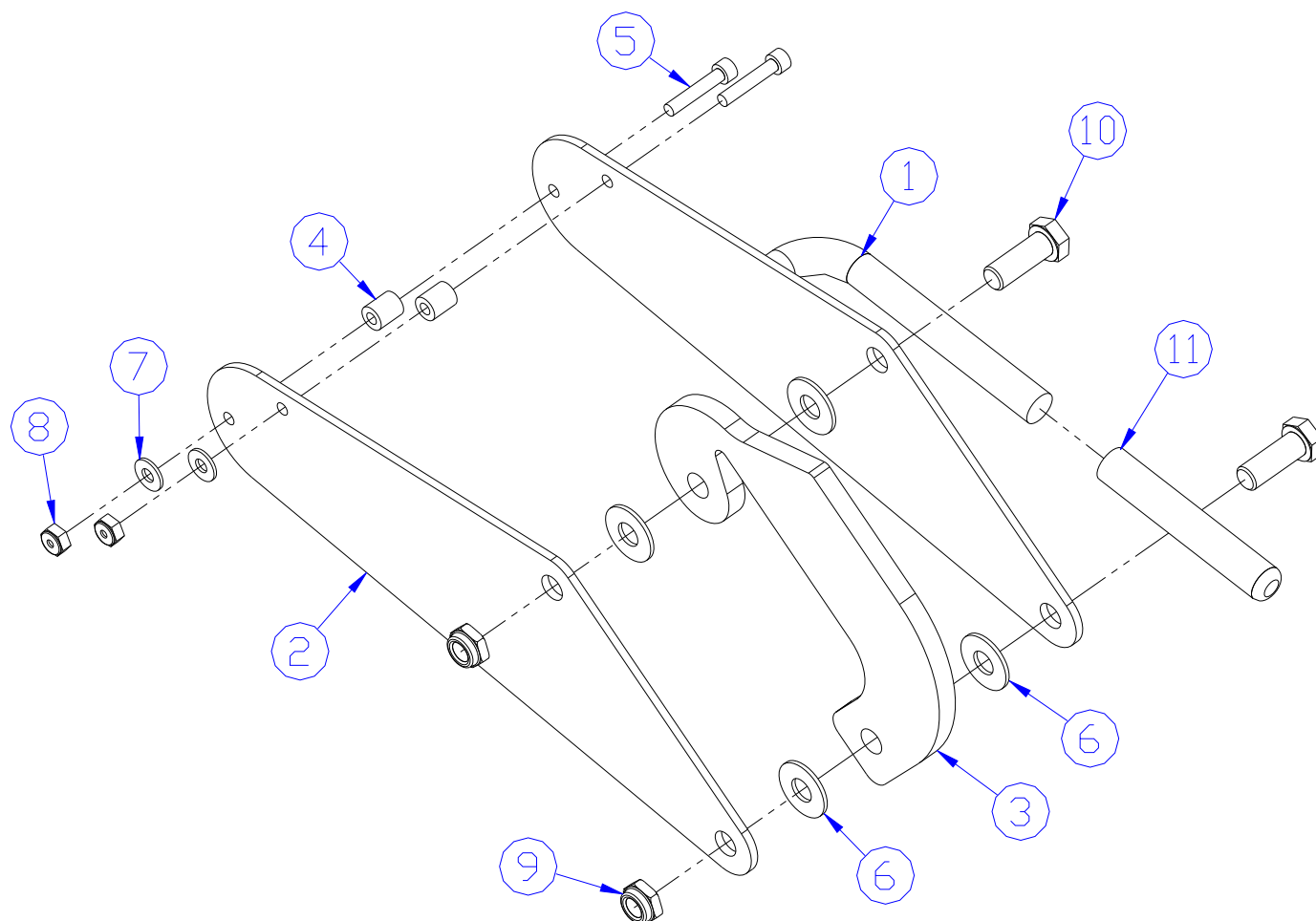


SEE PAGE 6 FOR LEGEND

PLSM PLATE LOADED SMITH MACHINE LEFT SIDE FRAME ASSEMBLY LEGEND

ITEM NO.	QTY.	PART NO.	DESCRIPTION
1	1	7669201	WLDMT, PLSM SIDE FRAME LEFT
2	1	7667601	GUNRACK, PLSM
3	3	7959301	RAIL SUPPORT, PLSM
4	1	7667901	GUIDE ROD, 1" OD X 83
5	1	7668002	SHIELD, PLSM CW BLK
6	1	7328617	GUIDE ROD, .75 OD SOLID 79.88
7	2	3237801	PULLEY, 4.5" OD
8	1	8013701	ASSY, PLSM BAR STOP - LT
9	1	7352301	CAP, END 2 X 3
10	1	7352401	CAP, END 2 X 4
11	1	7668401	ASSY, PLSM COUNTER WEIGHT
12	2	3223305	3/8-16 X 2.50 HEX HEAD BOLT
13	8	3236601	WASHER, 3/8 SAE SS
14	3	3102802	NUT, NYLOCK 3/8-16
15	1	3223302	3/8-16 X 1.25 HEX HEAD BOLT
16	1	7422003	LABEL, MOVING PARTS
17	1	7689801	LABEL, PLSM ASTM WARN
18	1	3223316	3/8-16 X 4.75 HEX HEAD BOLT
19	1	3223314	3/8-16 X 4.25 HEX HEAD BOLT
20	2	3103301	SHAFT COLLAR, 3/4 I.D. ZINC
21	1	8016001	LABEL, PLSM BAR STOP
22	6	3239505	WSH, .500 IN-D ST ZN
23	6	3102801	NUT, NYLOCK 1/2-13 ST ZN
24	6	3239317	1/2-13 X 4.25 UNS HEX FHB G5 ZN
25	6	3102507	WASHER, TYPE A PLAIN
26	3	7760201	ASSY, WEIGHT HORN

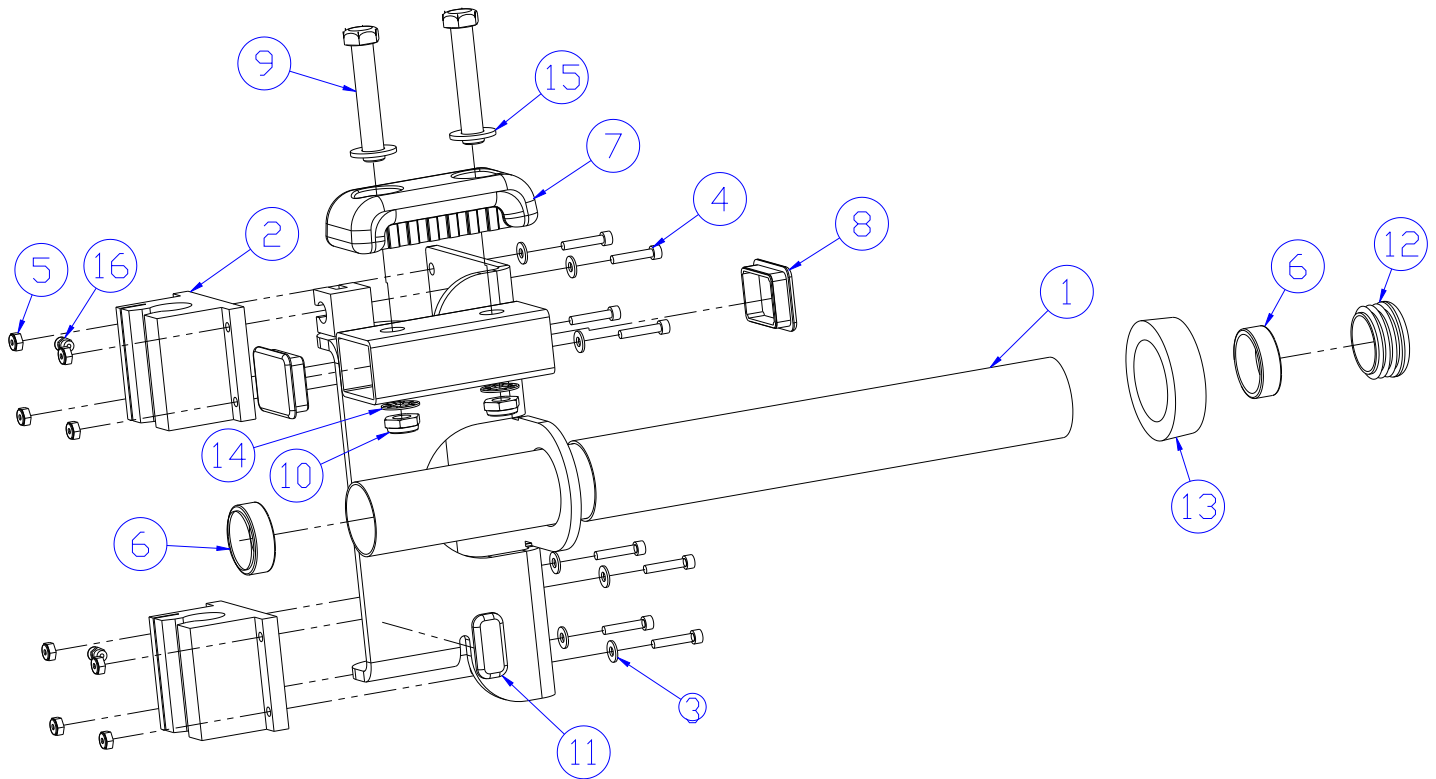
PLSM PLATE LOADED SMITH MACHINE LEFT BAR STOP ASSEMBLY - 8013701



ITEM NO.	QTY.	PART NO.	DESCRIPTION
1	1	8013901	WLDMT, PLSM BAR STOP - LT
2	1	8013501	PLATE, PLSM BAR STOP - SIDE
3	1	8016102	PLATE, PLSM BAR STOP BLK
4	2	7669001	SPACER, NYLON PLSM STOP
5	2	3248204	#10-24 X 1.00 HXS SOC CS G8 BZ
6	4	3227200	WASHER, FLAT NYLON
7	2	3248101	WSH 10 FL-D ST ZN
8	2	3248301	NUT 10 -24 NYLOC D ST ZN
9	2	3102807	NUT, NYLOCK 3/8-16 LOW HT
10	2	3223301	3/8-16 X 1.00 HEX HEAD BOLT
11	1	3238502	CAP, 1/2 X 3

PLSM PLATE LOADED SMITH MACHINE PLSM CARRIAGE LEFT ASSEMBLY

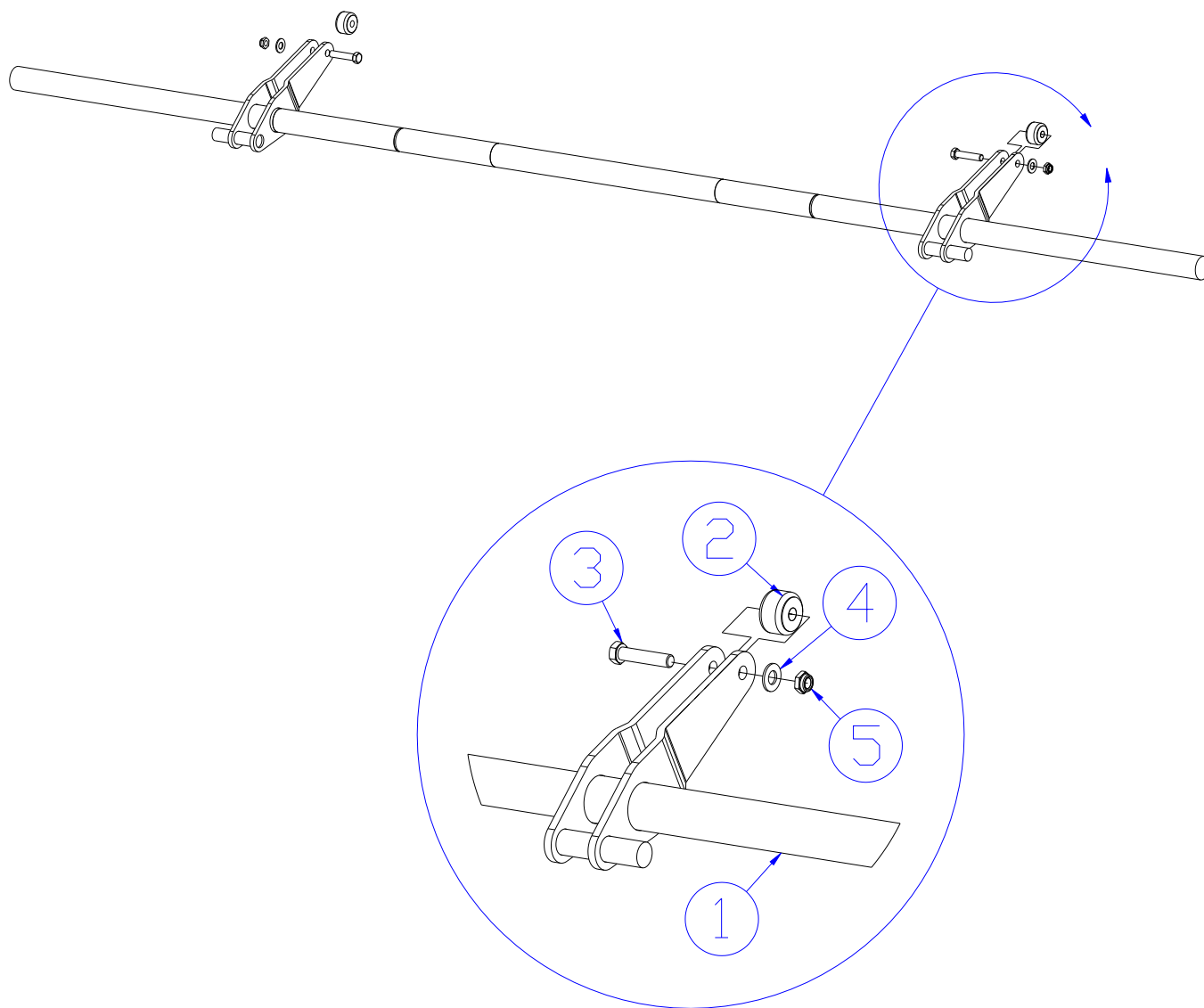
ASSEMBLY NO LONGER AVAILABLE - ORDER PARTS INDIVIDUALLY AS NEEDED



ITEM NO	QTY	PART NO	DESCRIPTION
1	1	7666302	WLDMT, PLSM CARRIAGE LEFT BLK
2	2	3248501	BEARING: BAL 1.000 X 442 SSUPBO 16
3	8	3248101	WSH 10 FL-D ST ZN
4	8	3248204	#10-24 X 1.00 HXS SOC CS G8 BZ
5	8	3248301	NUT 10 -24 NYLOC D ST ZN
6	2	3248601	BEARING: NDLE 1.375ID 1.625OD .5L
7	1	7352001	BUMPER, 2-1/8 X 4-5/8
8	2	7352201	CAP, END 1-1/2 X 2
9	2	3239311	1/2-13 X 2.75 UNS HEX FHB G5 ZN
10	2	3102804	NUT, NYLOCK-JAM 1/2-13 ST ZN
11	1	7570801	Guard, Paint 1.25"x.75"x.25"
12	1	8078002	CAP, END, 1.75 OD W/EMBOSS, BLK
13	1	7671601	MM5 Ring
14	2	3239505	WSH, .500 IN-D ST ZN
15	2	3102507	WASHER, TYPE A PLAIN
16	2	0017-00042-0999	GREASE FITTING

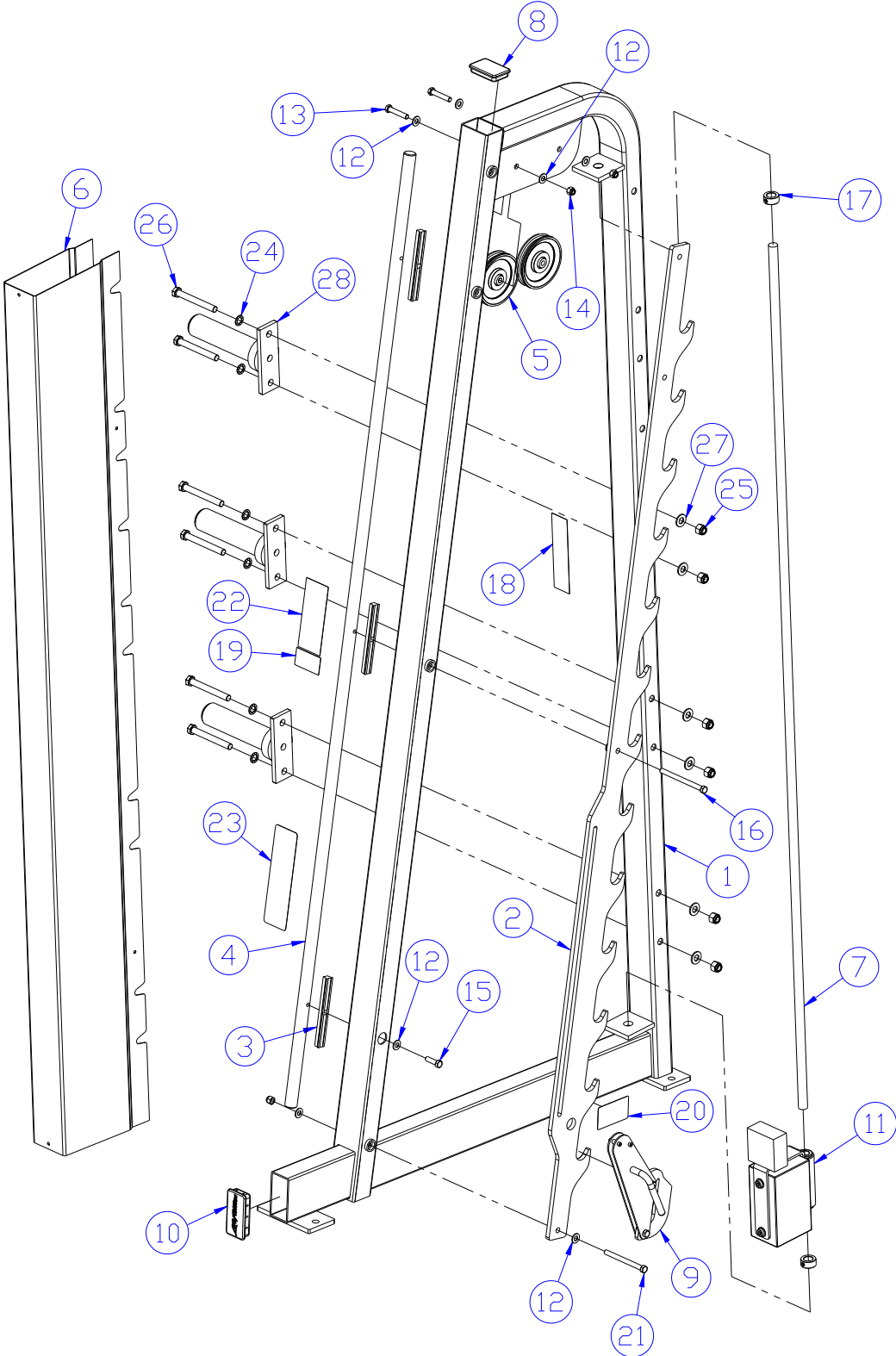
PLSM PLATE LOADED SMITH MACHINE

PLSM BAR ASSEMBLY - 7666401



ITEM NO	QTY	PART NO	DESCRIPTION
1	1	7666502	WLDMT, PLSM BAR BLK
2	2	3248401	CAM FOLLOWER TORRINGTON YCR-20
3	2	3223304	3/8-16 X 1.75 HEX HEAD BOLT
4	2	3236601	WASHER, 3/8 SAE SS
5	2	3102807	NUT, NYLOCK 3/8-16 LOW HT

PLSM PLATE LOADED SMITH MACHINE RIGHT SIDE FRAME ASSEMBLY - 7666901

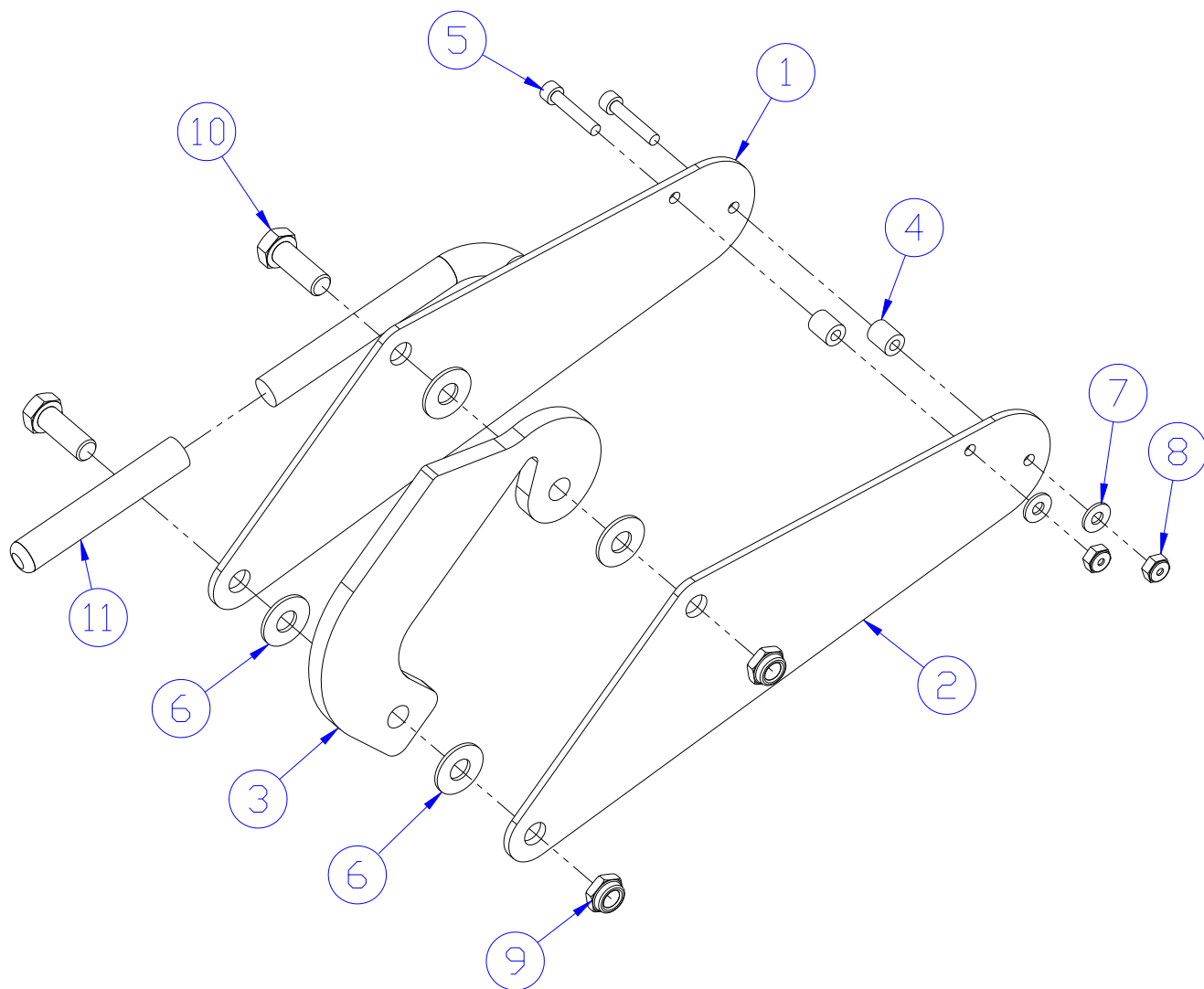


SEE PAGE 10 FOR LEGEND

PLSM PLATE LOADED SMITH MACHINE RIGHT SIDE FRAME ASSEMBLY LEGEND

ITEM NO.	QTY.	PART NO.	DESCRIPTION
1	1	7667001	WLDMT, PLSM SIDE FRAME
2	1	7667601	GUNRACK, PLSM
3	3	7959301	RAIL SUPPORT, PLSM
4	1	7667901	GUIDE ROD, 1" OD X 83
5	2	3237801	PULLEY, 4.5" OD
6	1	7668002	SHIELD, PLSM CW BLK
7	1	7328617	GUIDE ROD, .75 OD SOLID 79.88
8	1	7352301	CAP, END 2 X 3
9	1	8013601	ASSY, PLSM BAR STOP - RT
10	1	7352401	CAP, END 2 X 4
11	1	7668401	ASSY, PLSM COUNTER WEIGHT
12	8	3236601	WASHER, 3/8 SAE SS
13	2	3223305	3/8-16 X 2.50 HEX HEAD BOLT
14	3	3102802	NUT, NYLOCK 3/8-16
15	1	3223302	3/8-16 X 1.25 HEX HEAD BOLT
16	1	3223316	3/8-16 X 4.75 HEX HEAD BOLT
17	2	3103301	SHAFT COLLAR, 3/4 I.D. ZINC
18	1	7422004	LABEL, 2" ASTM WARN
19	1	7422003	LABEL, MOVING PARTS
20	1	7571302	LABEL, SERIAL NUMBER HAMMER
21	1	3223314	3/8-16 X 4.25 HEX HEAD BOLT
22	1	7689801	LABEL, PLSM ASTM WARN
23	1	8016001	LABEL, PLSM BAR STOP
24	6	3239505	WSH, .500 IN-D ST ZN
25	6	3102801	NUT, NYLOCK 1/2-13 ST ZN
26	6	3239317	1/2-13 X 4.25 UNS HEX FHB G5 ZN
27	6	3102507	WASHER, TYPE A PLAIN
28	3	7760201	ASSY, WEIGHT HORN

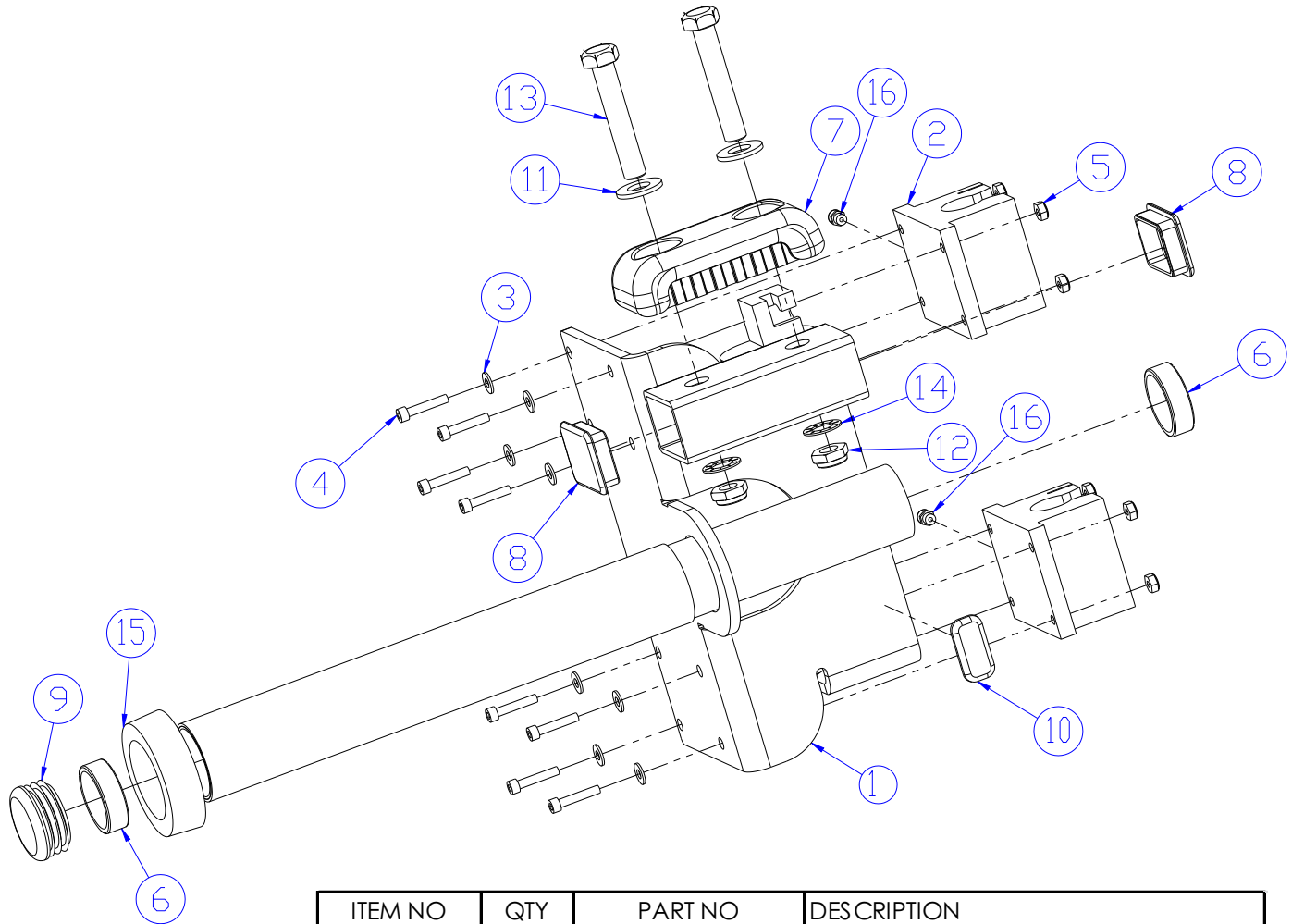
PLSM PLATE LOADED SMITH MACHINE RIGHT BAR STOP ASSEMBLY - 8013601



ITEM NO.	QTY.	PART NO.	DESCRIPTION
1	1	8013801	WLDMT, PLSM BAR STOP - RT
2	1	8013501	PLATE, PLSM BAR STOP - SIDE
3	1	8016102	PLATE, PLSM BAR STOP BLK
4	2	7669001	SPACER, NYLON PLSM STOP
5	2	3248204	#10-24 X 1.00 HXS SOC CS G8 BZ
6	4	3227200	WASHER, FLAT NYLON
7	2	3248101	WSH 10 FL-D ST ZN
8	2	3248301	NUT 10 -24 NYLOC D ST ZN
9	2	3102807	NUT, NYLOCK 3/8-16 LOW HT
10	2	3223301	3/8-16 X 1.00 HEX HEAD BOLT
11	1	3238502	CAP, 1/2 X 3

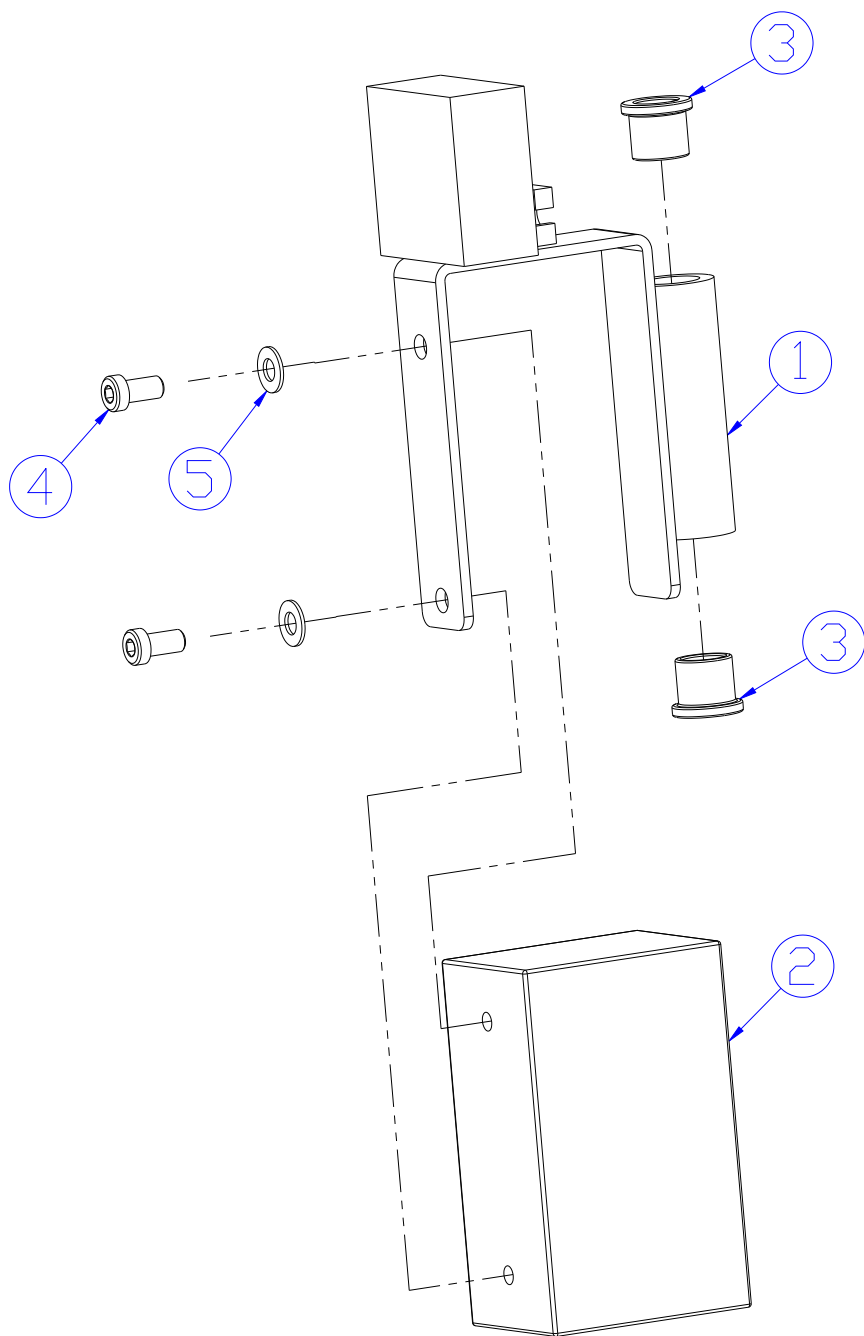
PLSM PLATE LOADED SMITH MACHINE PLSM CARRIAGE RIGHT ASSEMBLY

ASSEMBLY NO LONGER AVAILABLE - ORDER PARTS INDIVIDUALLY AS NEEDED



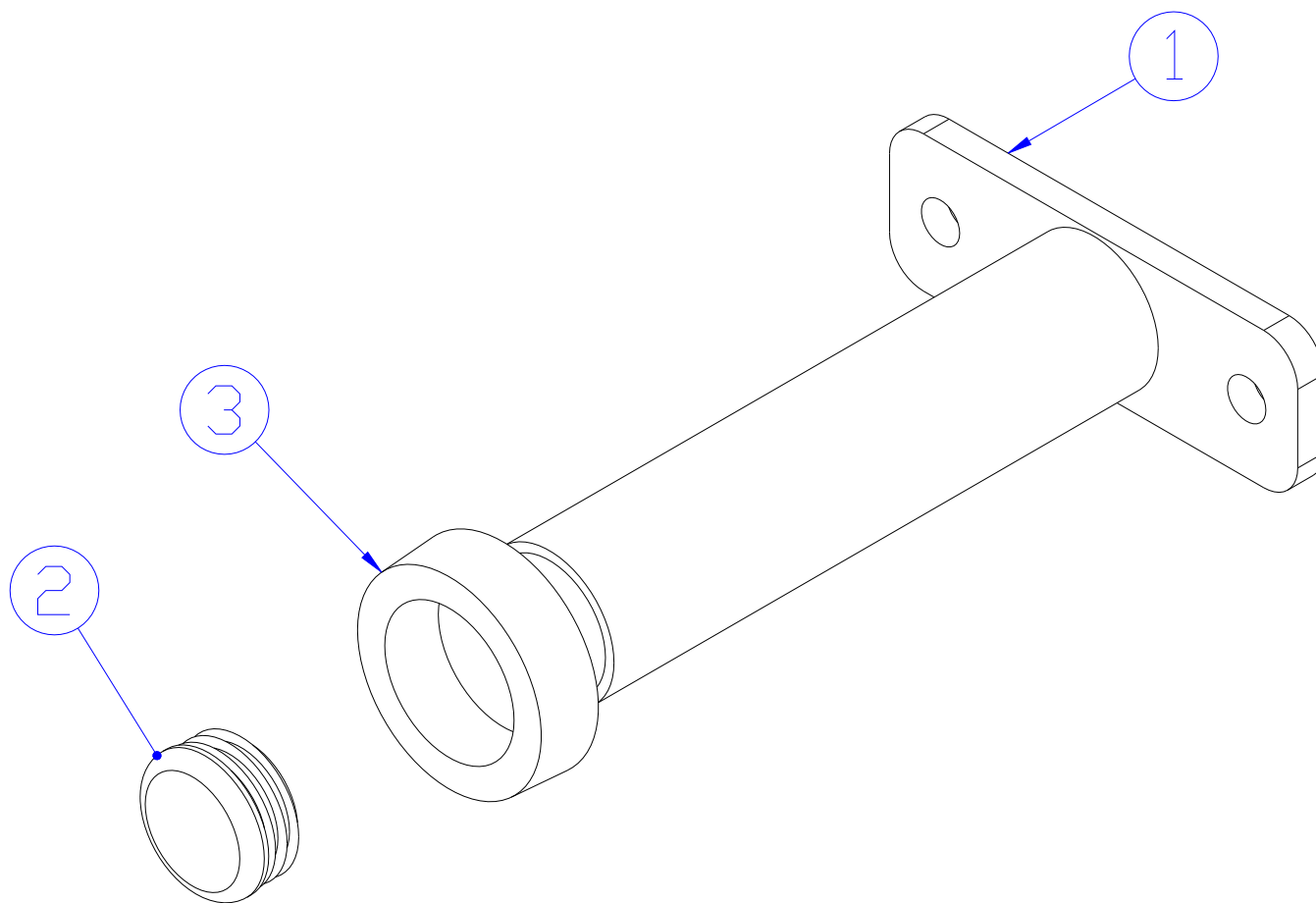
ITEM NO	QTY	PART NO	DESCRIPTION
1	1	7665702	WLDMT, PLSM CARRIAGE RIGHT BLK
2	2	3248501	BEARING: BAL 1.000 X 442 SSUPBO 16
3	8	3248101	WSH 10 FL-D ST ZN
4	8	3248204	# 10-24 X 1.00 HXS SOC CS G8 BZ
5	8	3248301	NUT 10 -24 NYLOC D ST ZN
6	2	3248601	BEARING: NDLE 1.375ID 1.625OD .5L
7	1	7352001	BUMPER, 2-1/8 X 4-5/8
8	2	7352201	CAP, END 1-1/2 X 2
9	1	8078002	CAP, END, 1.75 OD W/EMBOSS, BLK
10	1	7570801	Guard, Paint 1.25"x.75"x.25"
11	2	3102507	WASHER, TYPE A PLAIN
12	2	3102804	NUT, NYLOCK-JAM 1/2-13 ST ZN
13	2	3239311	1/2-13 X 2.75 UNS HEX FHB G5 ZN
14	2	3239505	WSH, .500 IN-D ST ZN
15	1	7671601	MM5 Ring
16	2	0017-00042-0999	GREASE FITTING

PLSM PLATE LOADED SMITH MACHINE PLSM COUNTER WEIGHT ASSEMBLY - 7668401



ITEM NO	QTY	PART NO	DESCRIPTION
1	1	7668502	WLDMT, PLSM C-WEIGHT BLK
2	1	7354595	WEIGHT, COUNTER MED SHADOW GRAY
3	2	3104905	.75" ID 1.00" OD BRONZE BUSHING
4	2	3236201	SCREW, M10 X1.5 20MM
5	2	3236601	WASHER, 3/8 SAE SS

PLSM PLATE LOADED SMITH MACHINE PLSM WEIGHT HORN ASSEMBLY - 7760201



ITEM NO	QTY	PART NO	DESCRIPTION
1	1	7662701	WEIGHT HORN
2	1	8078002	CAP, END, 1.75 OD W/EMBOSS, BLK
3	1	7671601	MM5 Ring

PLSM PLATE LOADED SMITH MACHINE IMAGE (Shown with optional bench)

