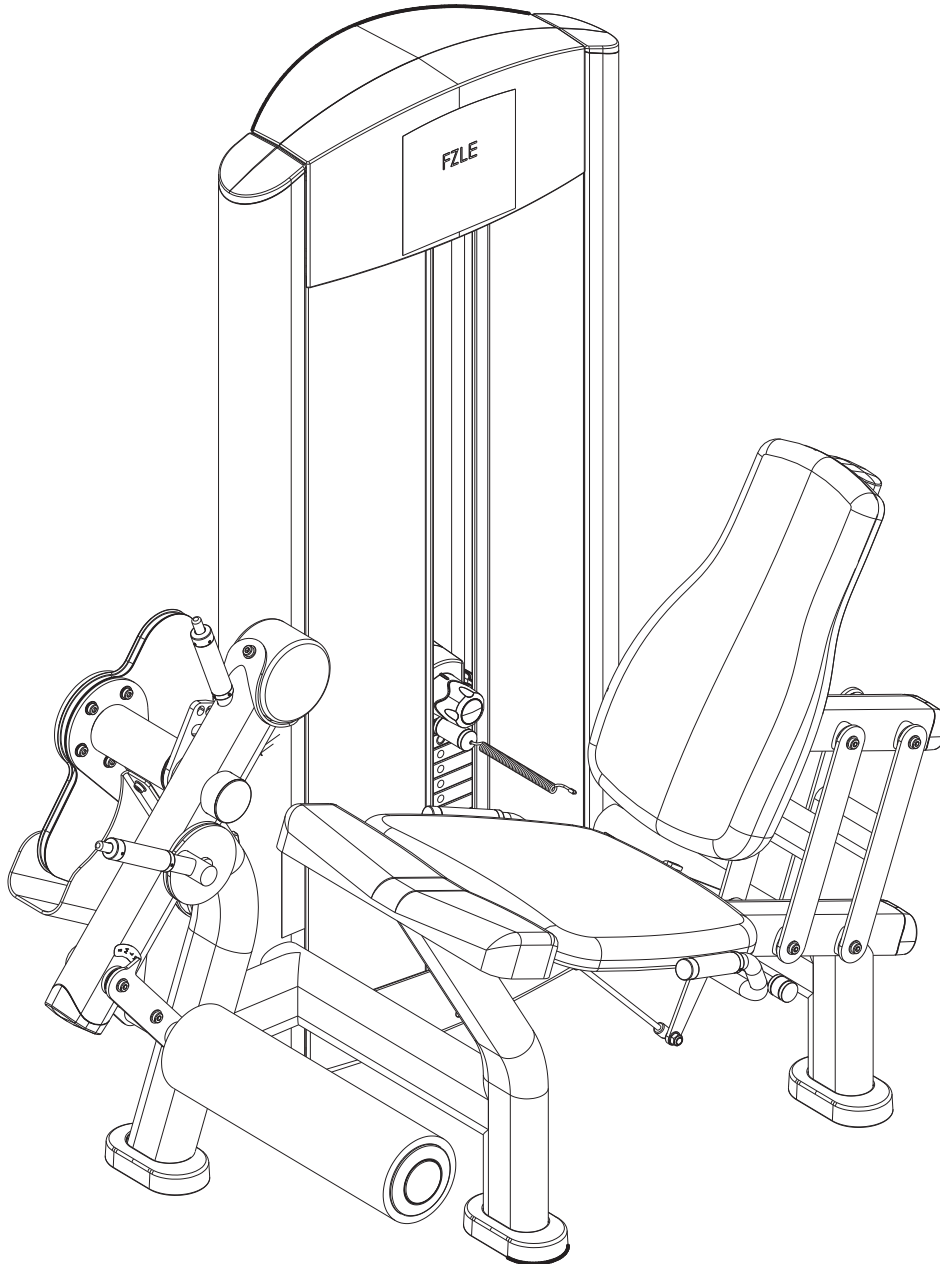




SIGNATURE SERIES  
FZLE LEG EXTENSION



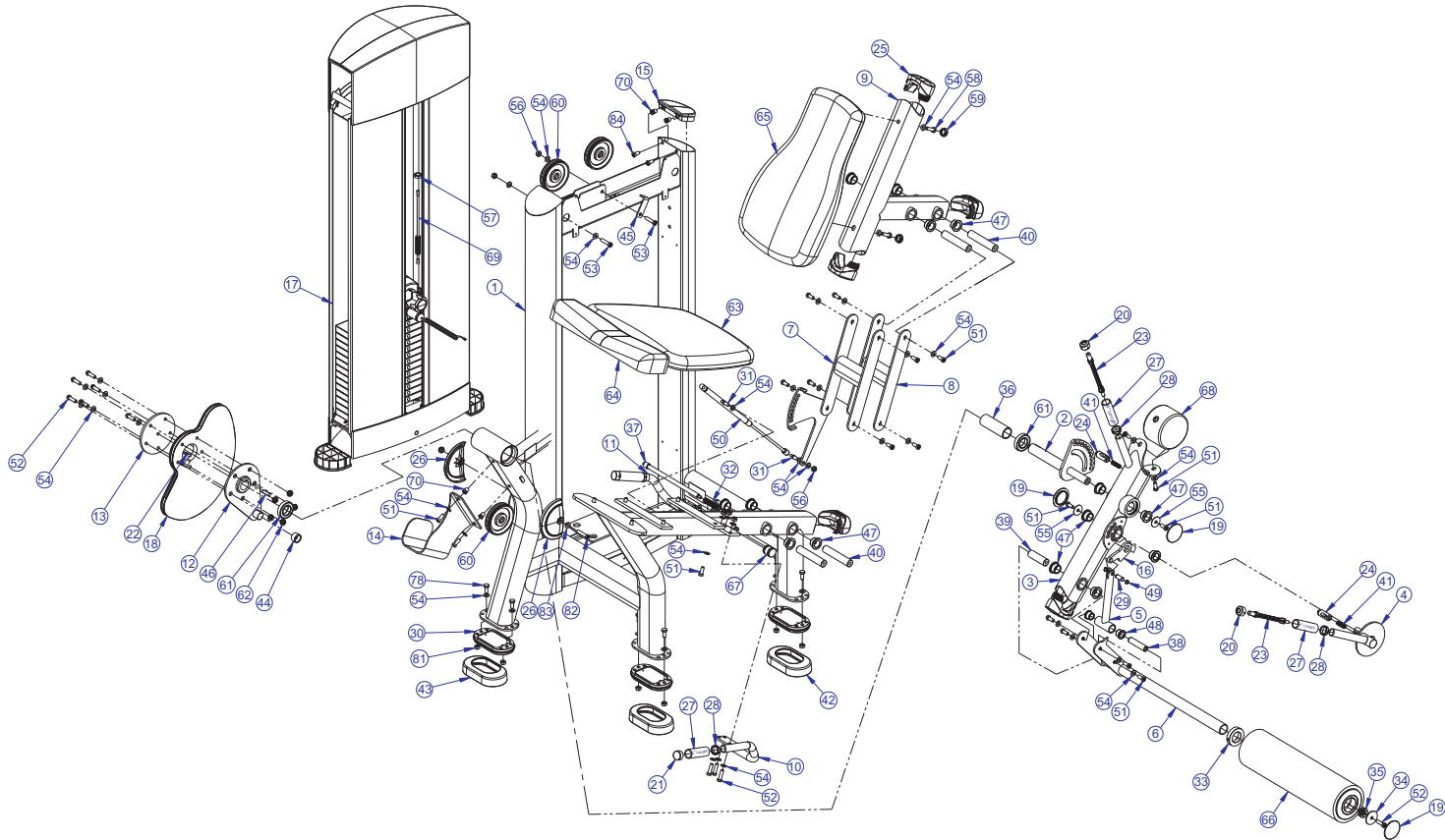
Customer Support Services  
**PARTS MANUAL**

# FZLE LEG EXTENSION CONTENTS

---

	PAGE
COMPONENT ASSEMBLY	3
COMPONENT ASSEMBLY II	4
COMPONENT ASSEMBLY LEGEND	5
MID-14 TOWER ASSEMBLY	6
PLASTIC TOWER ASSEMBLY	7
MID-14 WEIGHT STACK ASSEMBLY	8
5 LB. INCREMENT WEIGHT ASSEMBLY	9
10 LB. INCREMENT WEIGHT ASSEMBLY	10
15 LB. INCREMENT WEIGHT ASSEMBLY	11
HEAD PLATE ASSEMBLY	12
HEAD PLATE ASSEMBLY LEGEND	13
IMAGE	14

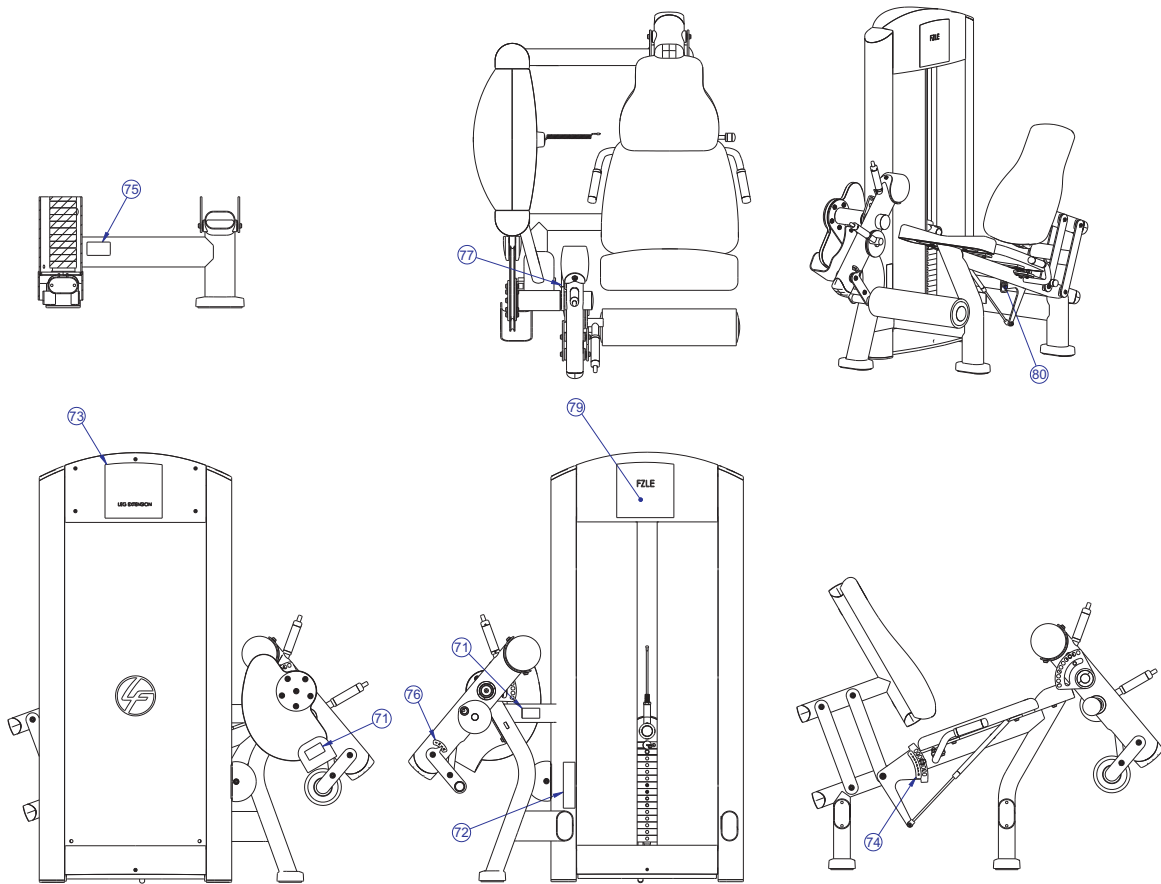
# FZLE LEG EXTENSION COMPONENT ASSEMBLY



SEE PAGE 5 FOR LEGEND

# FZLE LEG EXTENSION COMPONENT ASSEMBLY

---

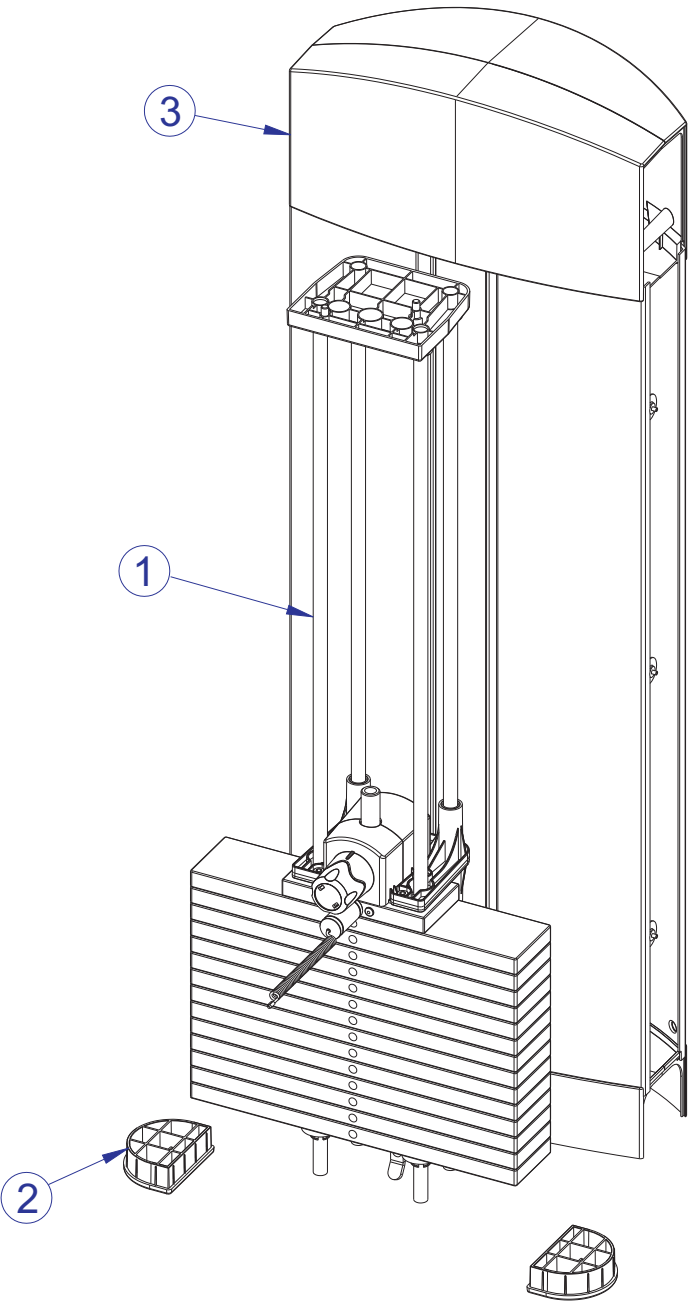


SEE PAGE 5 FOR LEGEND

# FZLE LEG EXTENSION COMPONENT ASSEMBLY LEGEND

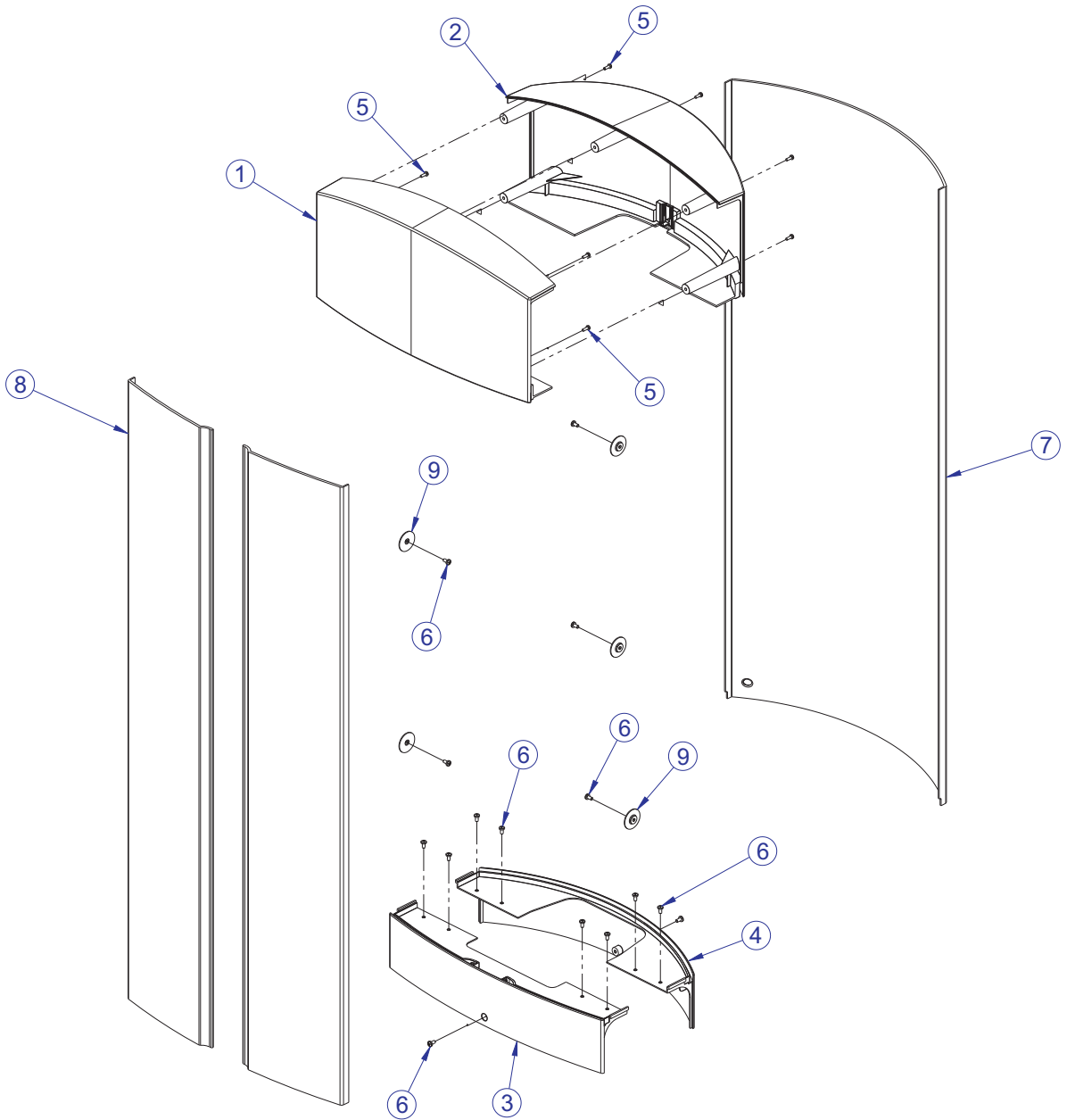
ITEM NO.	QTY.	PART NO.	DESCRIPTION	ITEM NO.	QTY.	PART NO.	DESCRIPTION
1	1	7319201	WLDMT, FZLE, FRAME	43	1	7419601	COVER, FOOT-20 DEG.
2	1	7774601	WLDMT, FZLE ADJ START	44	1	7690101	BUMPER, SLEEVE - 1 INCH DIA
3	1	7320701	WLDMT, FZLE, PIVOT ARM	45	1	6757701	CLIP, CABLE 2-7/8 X 1 X 1
4	1	7322401	WLDMT, FZLE, TIBIA ADJ HANDLE	46	1	7511601	KEY, .375 SQUARE X 1.25
5	1	7324501	WLDMT, FZLE, TIBIA ADJ LINK	47	14	3104903	1.00" ID 1.25" OD BRONZ BUSHING
6	1	7321901	WLDMT, FZLE, ROLLER PAD SPVRT	48	2	3104901	.75" ID 1.00" OD BRONZE BUSHING
7	1	7411101	WLDMT, FZ, 4-BAR INDEX	49	2	3232409	RING, RETAINING, EXTERNAL
8	1	7411001	WLDMT, FZ, 4-BAR	50	1	3235701	SPRING, GAS 150N
9	1	7410901	WLDMT, FZ, BACK PAD SPVRT	51	24	3236202	SCREW, M10 X1.5 25MM
10	1	7517401	WLDMT, FZ, HANDLE LEFT	52	13	3236204	SCREW, M10 X1.5 35MM
11	1	7517501	WLDMT, FZ, HANDLE RIGHT	53	2	3236206	SCREW, M10 X1.5 45MM
12	1	7323101	WLDMT, FZLE, CAM SPVRT	54	54	3236601	WASHER, 3/8 SAE SS
13	1	7329101	PLATE, FZ, CAM COVER	55	2	3236701	WASHER, FENDER 3/8"ID X 1.5"OD SS
14	1	7517101	BRKT, FZLE, CAM GUARD	56	9	3236801	NUT, M10 HEX NYLOCK SS
15	2	7326201	CAP, D-TUBE - TOP	57	1	3236902	NUT, M16 X 2 HEX JAM SS
16	1	7329601	PLATE, TIBIA LINK	58	2	3251204	SCREW, M10 X1.5 X 35MM HEX ZN
17	1	7420401	ASSY, MID TOWER-14	59	2	3237403	PLUG, 1" HOLE
18	1	7329901	CAM, FZLE	60	3	3237801	PULLEY, 4.5" OD
19	3	7308701	CAP, BEARING HOUSING	61	2	3243201	BEARING, 6007 BALL
20	2	7663001	CAP, GRIP W/HOLE 1.25 OD	62	6	7335401	NUT, M10 X 1.5 SOCKET HEAD
21	2	7662900	CAP, GRIP	63	1	74015XX	PAD, SEAT LE/SLC
22	1	7342201	PLATE, CABLE END	64	1	77678XX	PAD, SEAT LEADING EDGE
23	2	7780101	ROD, PUSH PIN	65	1	74741XX	PAD, LARGE BACK
24	2	8032401	PIN, PUSH	66	1	73928XX	ASSY, ROLLER PAD - LONG
25	5	7333901	CAP, LARGE FLOV- END	67	1	7424801	KNOB, POP PIN
26	2	8094101	COVER, PULLEY-BOLTED PARTIAL	68	1	7801901	COUNTER WEIGHT, SMALL - COATED
27	4	3235801	GRIP, 1.25" OD X 4" FZLE	69	1	7423708	CABLE, FZLE 118-3/4
28	4	7662801	RING, GRIP 1.25 OD	70	6	3238601	M10X1.5 THREADED INSERT (HEX)
29	1	7331702	SHAFT, PIVOT X 1.040	71	2	7422003	LABEL, MOVING PARTS
30	3	7334001	FOOT, 2.50 X 4.49 FLOV	72	1	7422004	LABEL, 2" ASTM WARN
31	2	7414301	STUD, M10 BALL END M10 X 1.5	73	1	7507601	LABEL, FZAB PLACARD REAR
32	1	7351501	SPRING; PULL PIN LARGE	74	1	7524101	LABEL, 1-8 CURVED
33	1	7357901	SHAFT COLLAR, 1-1/2" ID ALUM	75	1	7571301	LABEL, SERIAL NUMBER
34	1	7322301	PLATE, 1.97 OD X .44 ID 10GA	76	1	7524201	LABEL, S-XL CURVED
35	1	7347301	NUT, SPIDER M10 X 1.5	77	1	7777801	LABEL, 12-3 STRAIGHT
36	1	7511504	SPACER, FZ/PS INTERNAL 4.845	78	6	3251202	SCREW, M10 X1.5 X 25MM HEX ZN
37	1	7425101	PIN, PULL X 12.25	79	1	7507501	LABEL, FZLE PLACARD FRONT
38	1	7324801	SHAFT, TAPPED 0.75 DIA X 3.330	80	1	7794301	LABEL, 1-8 CURVED INSIDE
39	1	7324901	SHAFT, TAPPED 1 DIA X 3.330	81	6	3254703	NUT, M10 X 1.5 HEX ZINC
40	4	7324902	SHAFT, TAPPED 1 DIA X 5.330	82	1	3236207	SCREW, M10 X1.5 50MM
41	2	8024501	SPRING, 1/2 OD X 1-1/2	83	1	7630101	RETAINER, CM/MJ, PULLEY
42	2	7340201	COVER, FOOT - STRAIGHT	84	4	3236201	SCREW, M10 X1.5 20MM

# FZLE LEG EXTENSION MID-14 TOWER ASSEMBLY - 7420401



ITEM NO.	QTY.	PART NO.	DESCRIPTION
1	1	7420101	ASSY, WEIGHT STACK MID-14
2	2	7326301	CAP, D-TUBE-BTM
3	1	7419801	ASSY, TOWER PLASTICS-MID

# FZLE LEG EXTENSION PLASTIC TOWER ASSEMBLY - 7419801

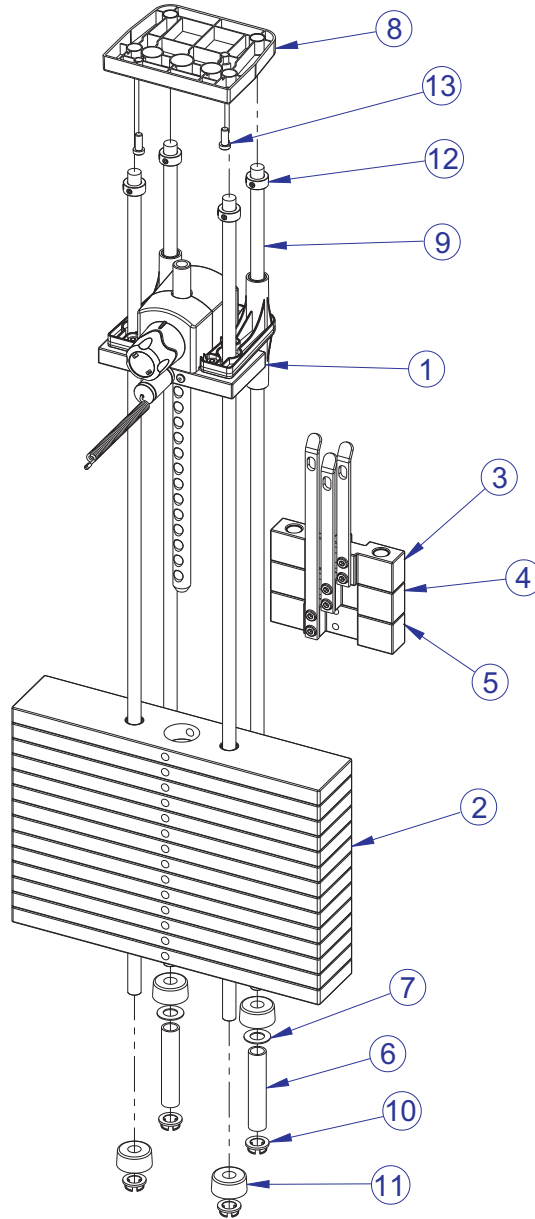


ITEM NO.	QTY.	PART NO.	DESCRIPTION
1	1	7318601	COVER, TOWER- TOP FRONT
2	1	7318701	COVER, TOWER- TOP REAR
3	1	7318801	COVER, TOWER- BOTTOM FRONT
4	1	7318901	COVER, TOWER- BOTTOM REAR
5	9	3236501	M4 X 0.7 PHL PAN MS ST ZN
6	16	3239101	SCREW, M5X10 PHL PAN TT ST
7	1	7765701	SHROUD, TOWER- REAR SHORT
8	2	7765601	SHROUD, TOWER- FRT SHORT RH
9	6	7583501	RETAINER, FZ SHROUD

# FZLE LEG EXTENSION MID-14 WEIGHT STACK ASSEMBLY - 7420101

## WEIGHT STACK LABELS

7927201	LABEL, 390 LB STACK
7927301	LABEL, 195 KG STACK

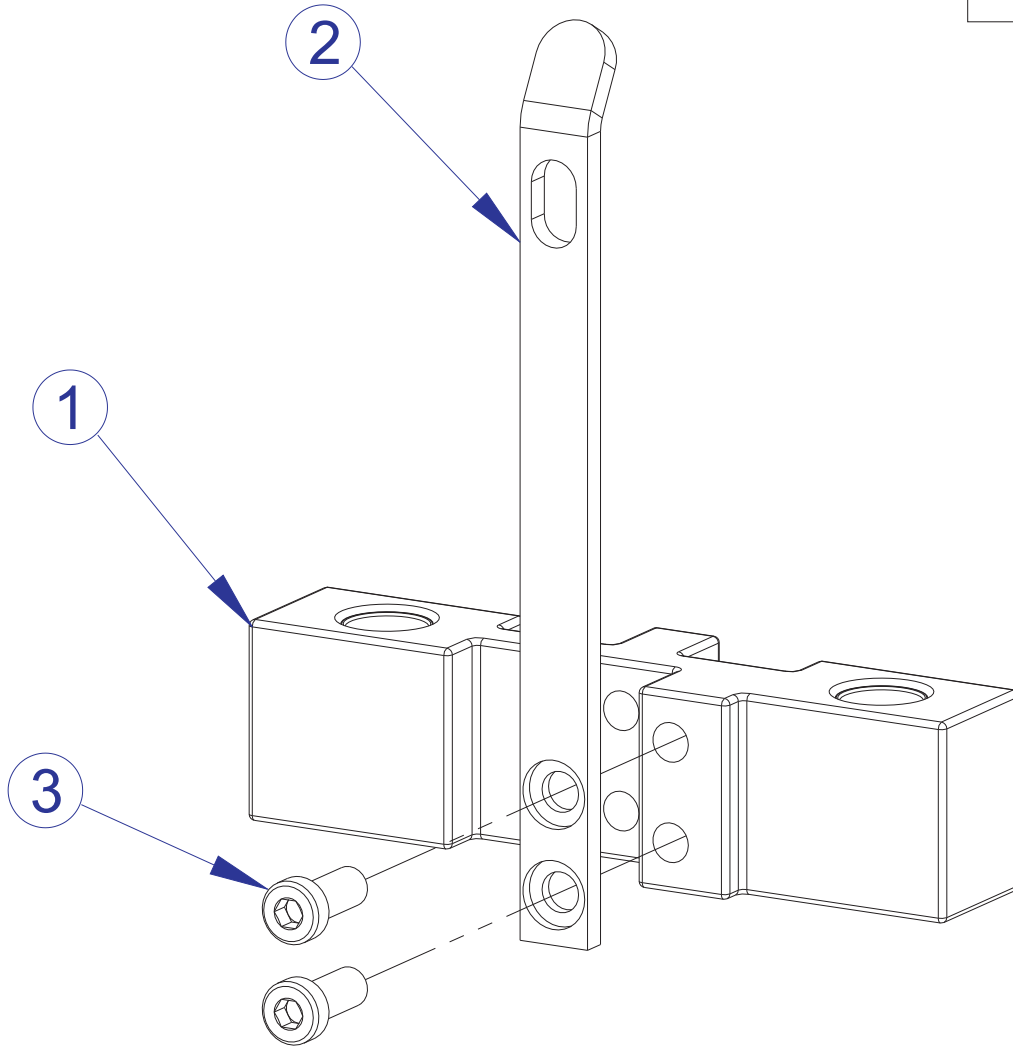
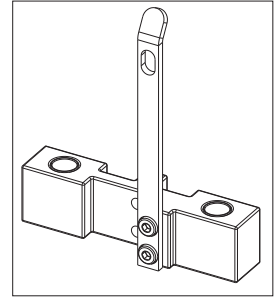


ITEM NO.	QTY.	PART NO.	DESCRIPTION
1	1	7350701	ASSY, HEAD PLATE (14)
2	14	7328401	WEIGHT PLATE, 20 LB
3	1	7327601	ASSY, INCREMENT WT-5LB
4	1	7327701	ASSY, INCREMENT WT-10LB
5	1	7327801	ASSY, INCREMENT WT-15LB
6	2	7328701	SPACER, INC WT STACK 14 PLT
7	2	7351001	SPACER, INC WT STACK
8	1	7621101	RETAINER, GUIDE ROD-TOP
9	4	7328602	GUIDE ROD, .75 OD SOLID X 53.50
10	4	7337901	BUSHING, GUIDE ROD
11	4	7352101	CUSHION, WEIGHT STACK
12	4	3103301	SHAFT COLLAR, 3/4" ID ZINC
13	2	3236202	M10 X 1.5 X 25 HXS SOC CS SS



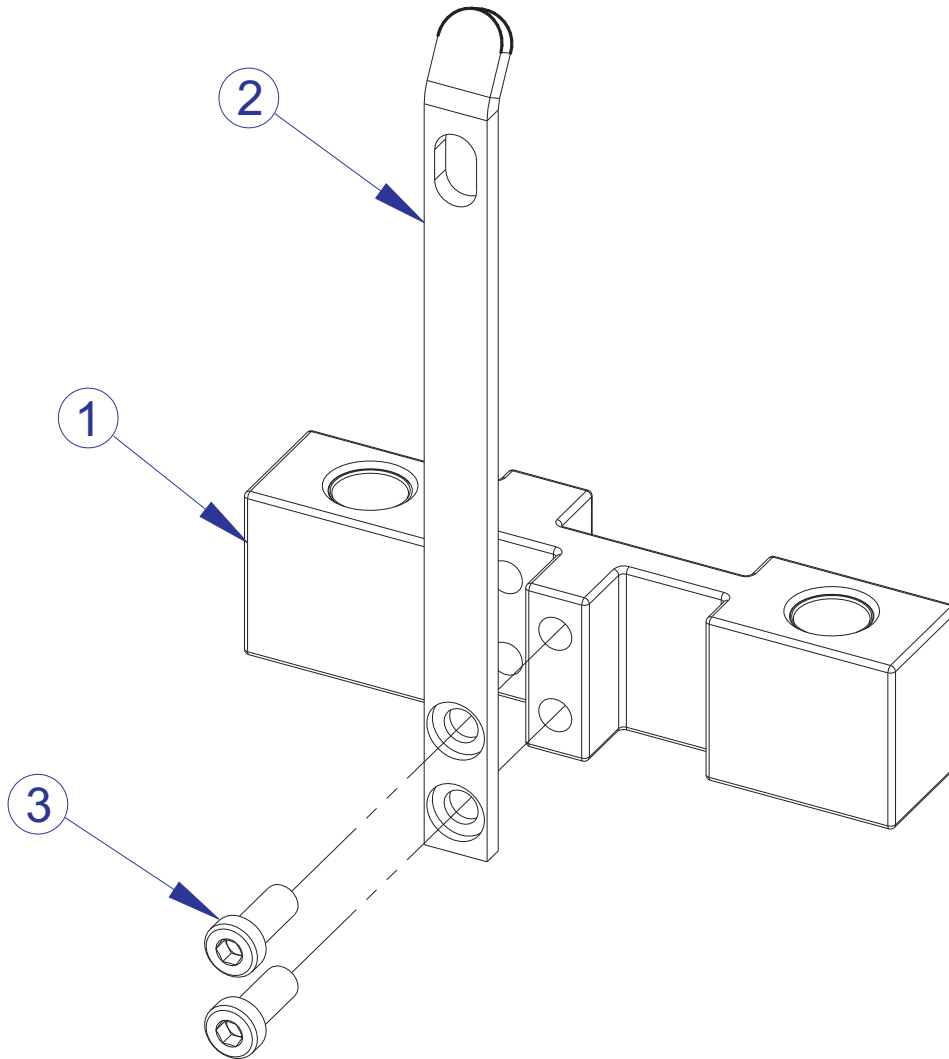
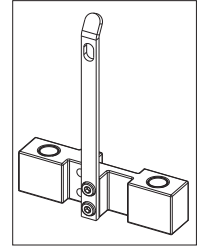
# FZLE LEG EXTENSION

## 5 LB. INCREMENT WEIGHT ASSEMBLY - 7327601



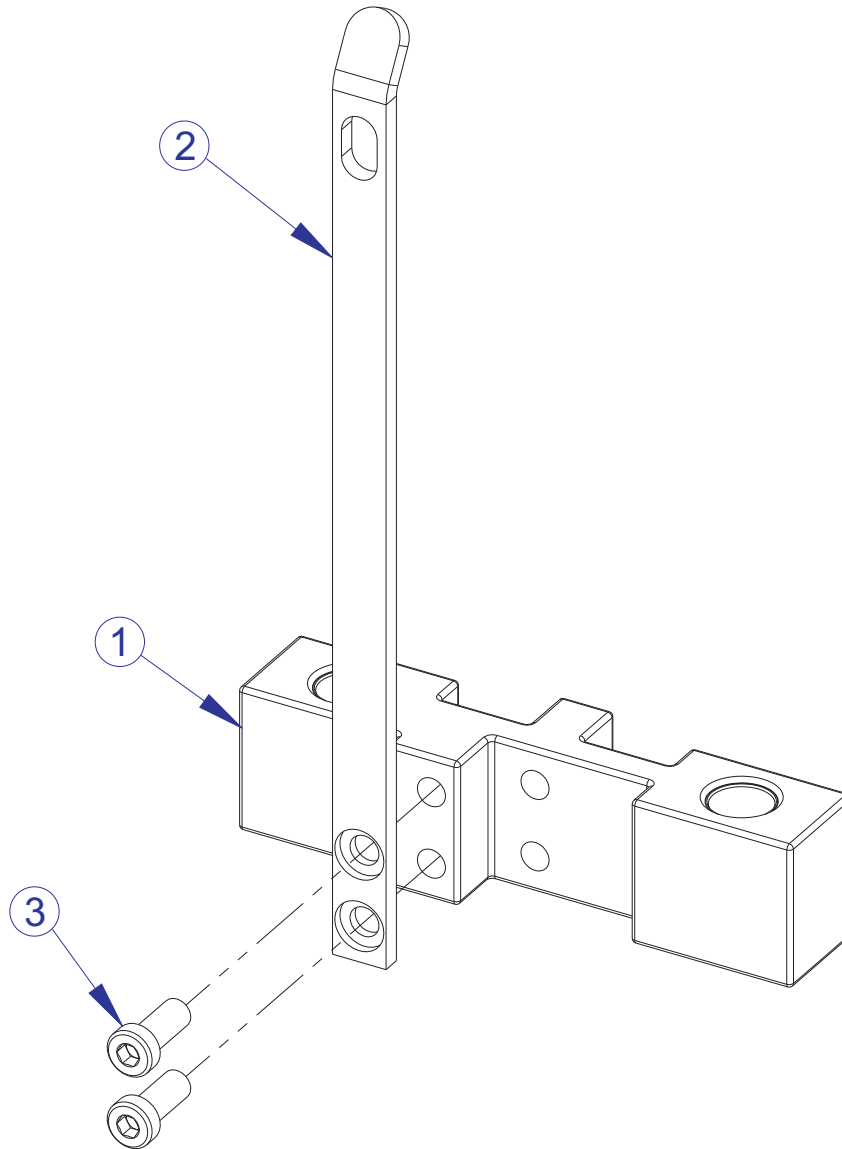
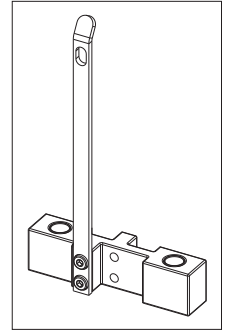
ITEM NO.	QTY.	PART NO.	DESCRIPTION
1	1	7968501	ASSY, FZ INC WEIGHT 5LB
2	1	7328001	BRKT, INCREMENT WT - 5 LB
3	2	3236202	SCREW, M10 X1.5 25MM

# FZLE LEG EXTENSION 10 LB. INCREMENT WEIGHT ASSEMBLY - 7327701



ITEM NO.	QTY.	PART NO.	DESCRIPTION
1	1	7968501	ASSY, FZ INC WEIGHT 5LB
2	1	7328101	BRKT, INCREMENT WT - 10 LB
3	2	3236202	SCREW, M10 X1.5 25MM

# FZLE LEG EXTENSION 15 LB. INCREMENT WEIGHT ASSEMBLY - 7327801

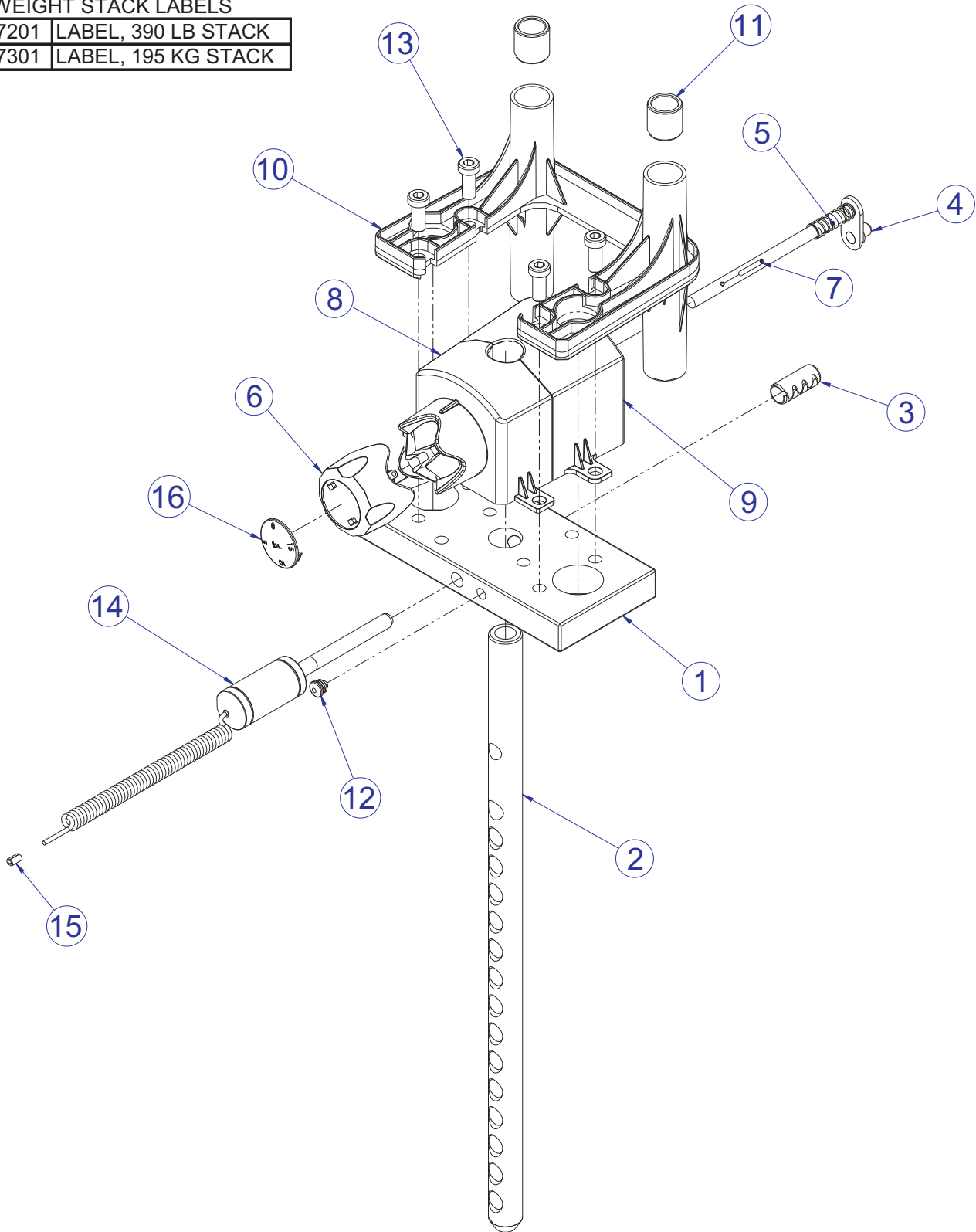


ITEM NO.	QTY.	PART NO.	DESCRIPTION
1	1	7968501	ASSY, FZ INC WEIGHT 5LB
2	1	7328201	BRKT, INCREMENT WT - 15 LB
3	2	3236202	SCREW, M10 X1.5 25MM

# FZLE LEG EXTENSION HEAD PLATE ASSEMBLY - 7350701

## WEIGHT STACK LABELS

7927201	LABEL, 390 LB STACK
7927301	LABEL, 195 KG STACK



SEE PAGE 13 FOR LEGEND

# FZLE LEG EXTENSION HEAD PLATE ASSEMBLY LEGEND

---

ITEM NO.	QTY.	PART NO.	DESCRIPTION
1	1	7326701	HEAD PLATE
2	1	7347801	STEM, 9 PLATE
3	1	3236001	BUSHING, SPRING PIN
4	1	7327201	WLDMT, INCREMENT WT PIN
5	1	8024501	SPRING, 1/2 OD X 1-1/2
6	1	7326101	KNOB, INC WT SELECTOR
7	1	3110008	ROLL PIN, 1/8 X 1-1/4
8	1	7326401	HOUSING, SELECTOR - FRONT
9	1	7326501	HOUSING, SELECTOR - REAR
10	1	7362101	STABILIZER, HEAD PLATE
11	4	7459601	BUSHING, HEAD PLT STABILIZER
12	1	7356501	PLUG, LANYARD ATTACHMENT
13	4	3236202	SCREW, M10 X1.5 25MM
14	1	7338101	ASSY, WT STACK SELECTOR PIN
15	1	7523601	CRIMP, CABLE
16	1	7398601	CAP, SELECTOR KNOB, LBS
	OR		
	1	7398701	CAP, SELECTOR KNOB, KG

# FZLE LEG EXTENSION IMAGE

---

