

# FRENCH FITNESS

FFS-LHBP / FFB-LHBP

FRENCH FITNESS FFS/FFB SILVER/BLACK  
LEVERAGE HORIZONTAL BENCH PRESS  
PLATE LOADED (NEW)

ASSEMBLY MANUAL



OR



## FEATURES

- 11 Gauge Steel
- Steel pipe size: 50mm x 80mm x 3mm
- Each frame receives an electrostatic powder coat finish to ensure maximum adhesion and durability
- Contoured cushions utilize a molded foam for superior comfort and durability
- Hand Grips:
- Grips retained with aluminum collars, preventing them from slipping during use
- Hand grips are a durable urethane composite
- Number of Weight Horns for Storage: 2

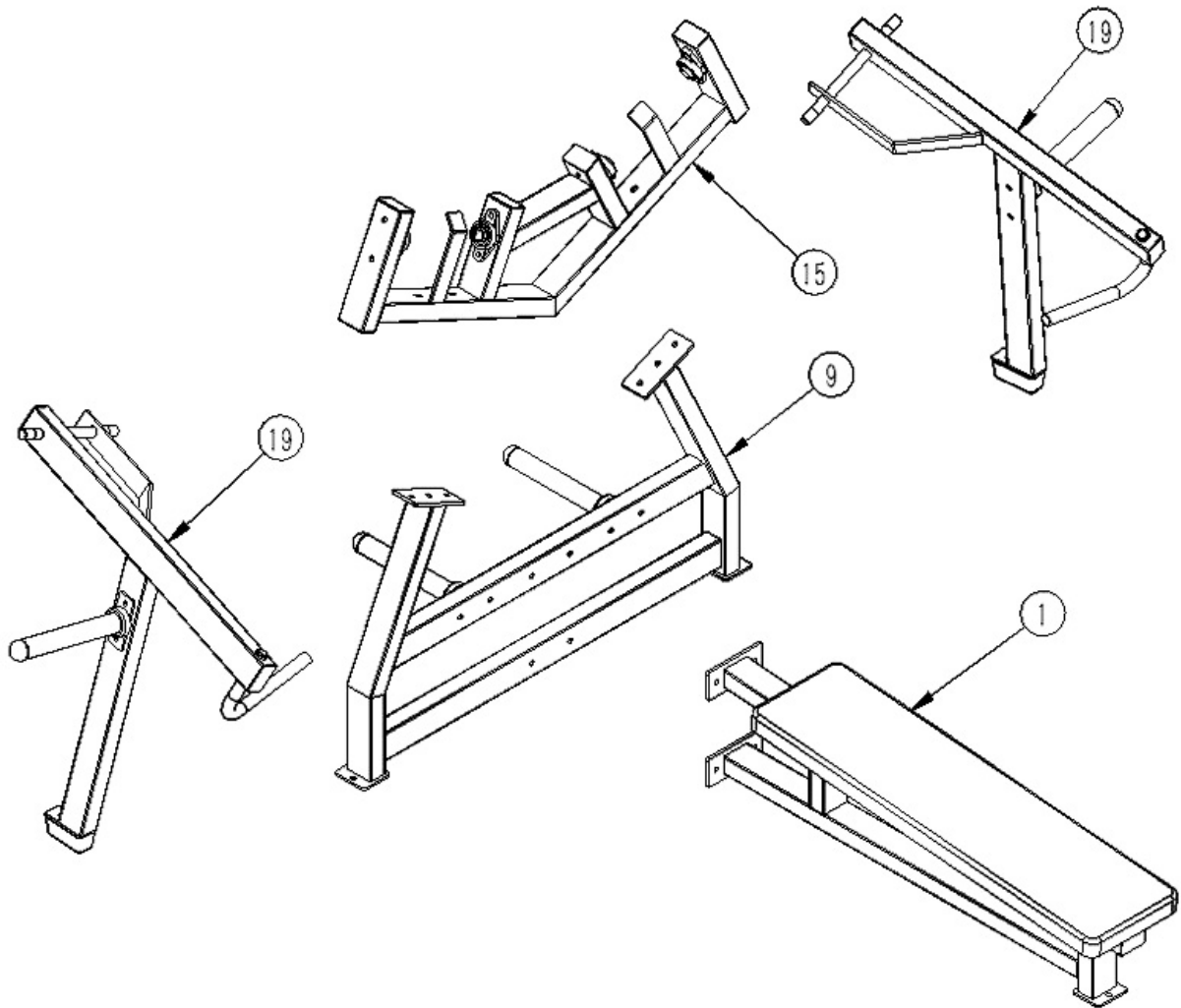
## TECH SPECS

- Weight Horns: 11.8" (300 mm)
- Starting (Boom) Weight: 28.5lbs / 13kg per side (57lbs / 26kg Total)
- Maximum Load Weight: 275lbs / 125kg per side (550lbs / 250kg Total)
- Machine Weight: 220lbs (100kg)
- Dimensions: 67.5"L x 67.3"W x 42.2"H (1715.24 x 1710.37 x 1071.85mm)
- User Height Range: 4'10" to 6'6" (147.32 cm to 198.12 cm)

## WARRANTY

- **10 Years Parts, 1 Year Labor (Commercial)**
- **California Residents see Prop 65 WARNING**

## EXPLODED VIEW



Item No	Part No	Quantity
9	LF-1301-0100-ZP Rear connecting frame welding assembly	1
1	LF-1301-0200-ZP Seat frame welding assembly	1
15	LF-1301-0300-ZP Upper connecting frame welding assembly	1
19	LF-1301-0400-ZP Boom welding assembly-right	1
19	LF-1301-0500-ZP Boom welding assembly-left	1
	50X312-Barbell bar-stainless steel welding assembly-T3-0006- ZP	4

