

FRENCH FITNESS

FF-WMMFT

FRENCH FITNESS WALL MOUNTED
MIRROR FUNCTIONAL TRAINER

ASSEMBLY MANUAL



FEATURES

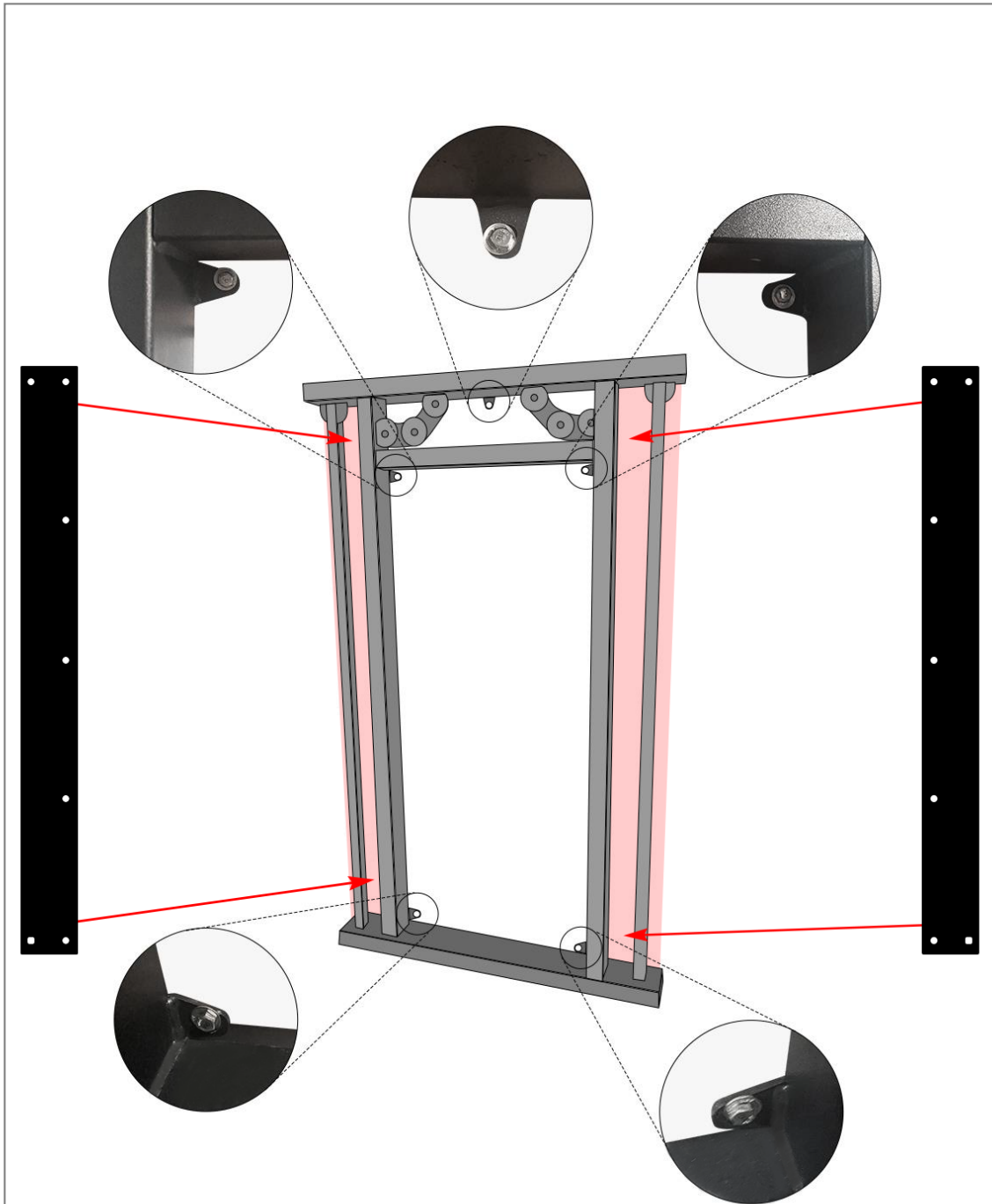
- Rubber Feet
- Wall Mounting Holes: 5 on Back
- Front mirror
- 2:1 Weight to Pulley Ratio (110 lbs per side will feel like 55 lbs per side)
- Excellent surface painting finish
- Smooth welding
- Heavy duty steel construction
- Quick and easy adjustments

TECH SPECS

- 101" cable reach
- 26 cable column adjustments
- 48.5"W x 5"D Frame (9" Deep w/Cables) x 84"H
- (10) 11 lb weights per side = 110 lbs per side
- 2:1 Weight to Pulley Ratio (110 lbs per side will feel like 55 lbs per side)
- Wall Mounting Holes: 5 on Back
 - Hole 1: Centered near Top of Machine
 - Holes 2-5: (2) are 3 5/8" High, (2) 71 5/8" High ... *Both are 26 1/4" Width Apart

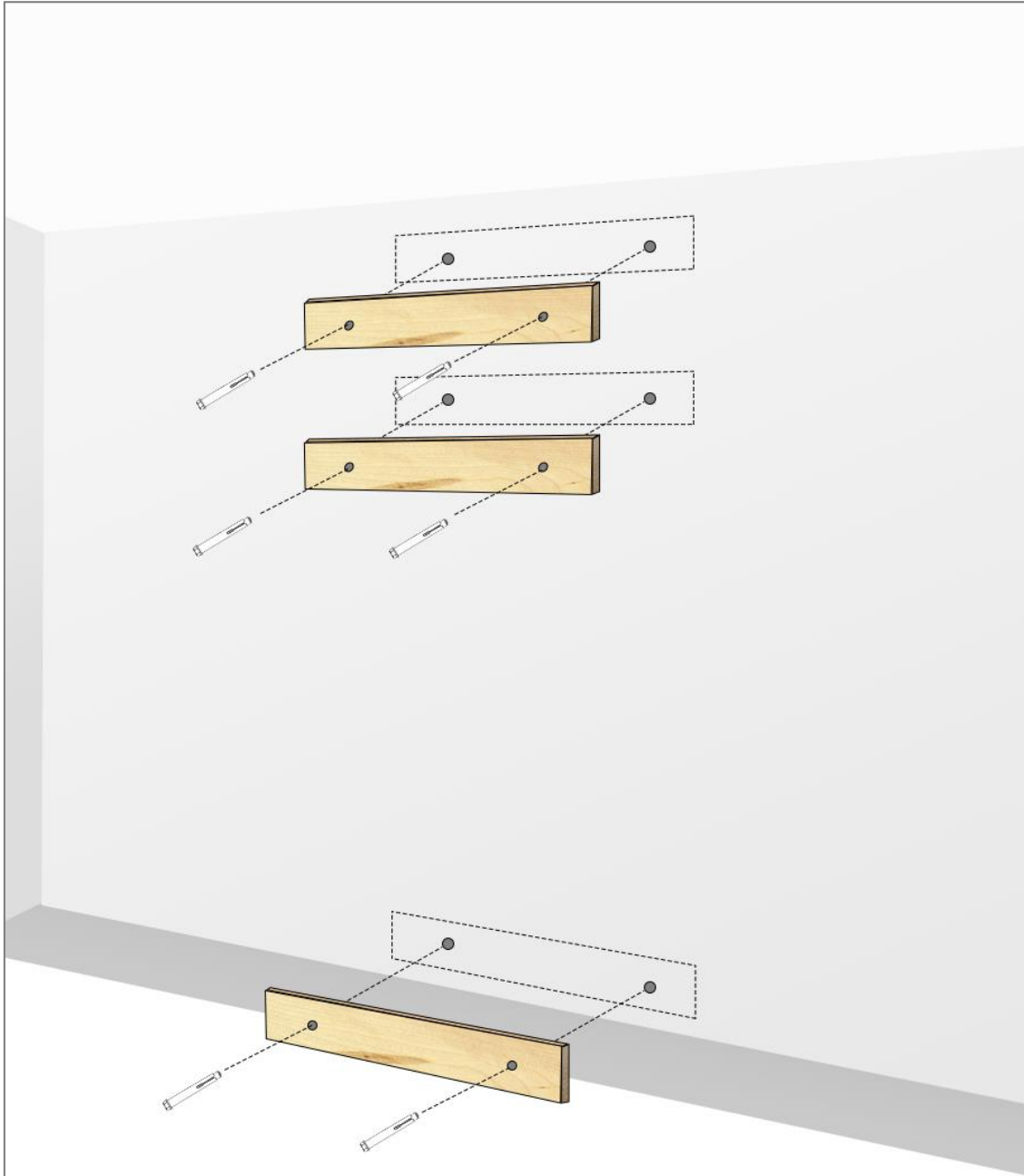
WARRANTY

10 Years Parts, 1 Year Labor (Home)

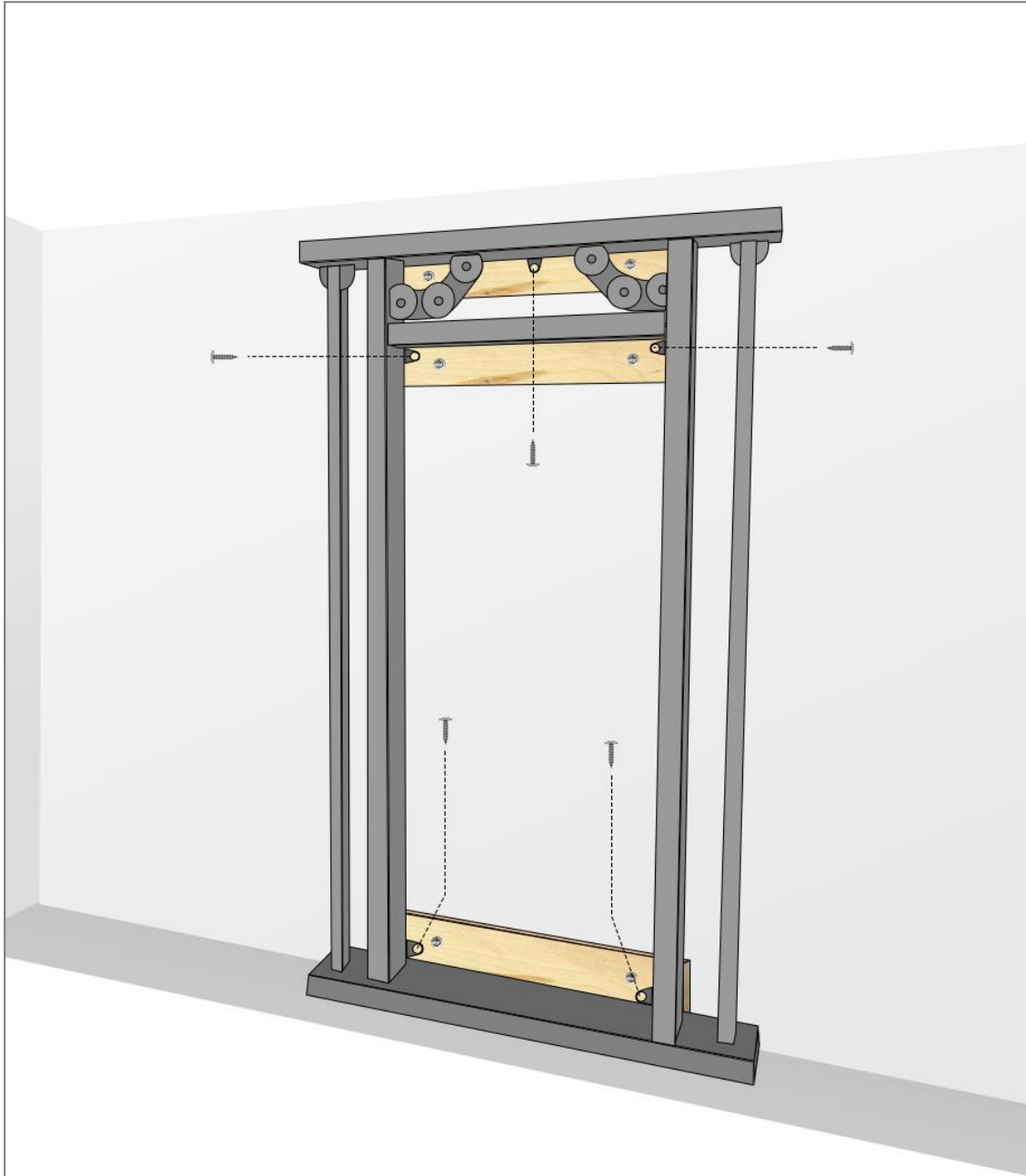


1. Stand the Functional Trainer Upright.
2. Install the metal shrouds at the back of the column, follow the holes where the bolts will go through as shown.
3. Locate the wall mounting holes in the functional trainer. The wall mounting bolts will go through the holes.

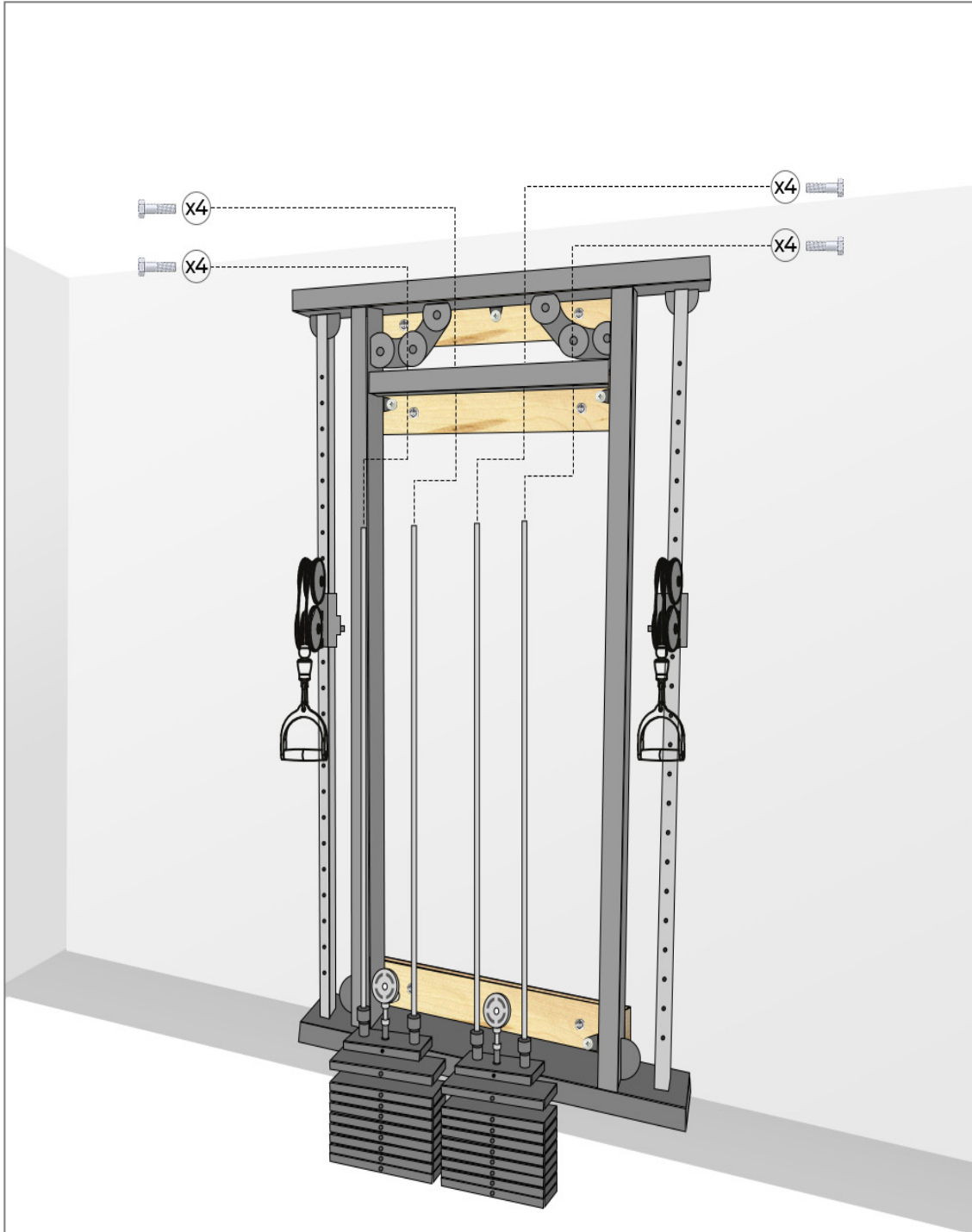
Note: Cables and pulleys come pre-routed. This is not shown in the pics.



- 4) Locate Concrete or Wooden 2x4 / 4x4 studs in the wall. Mount (3) 2x4's horizontally onto the wall to align with the holes. Mount each into 2 different wooden studs along the wall making at least 6 holes in the wall total



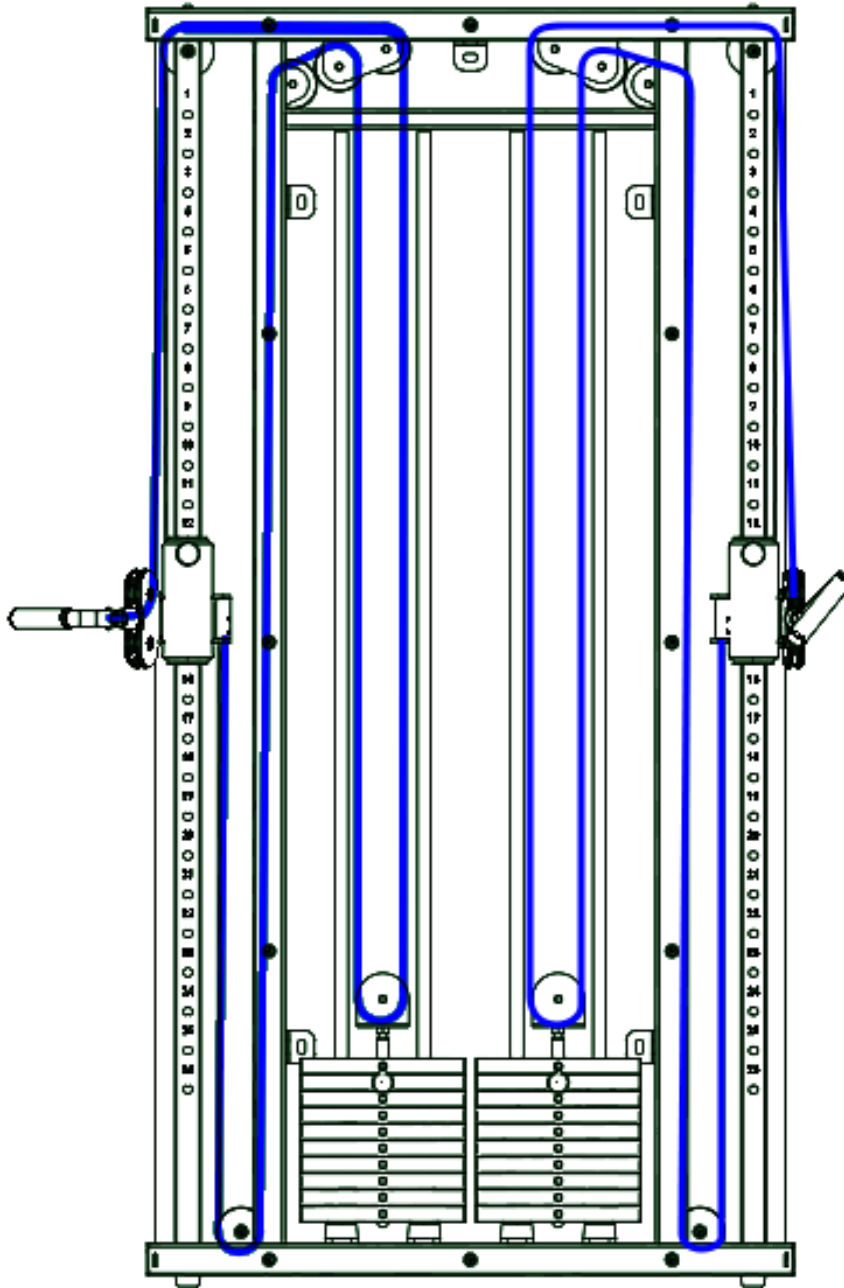
- 5) Mount the 5 included mounting bolts through the 5 back holes on the machine into the 2x4's that have been mounted to your wall



6) Install the weights. The large weights will go in first on each side evenly while the small weight goes in last.

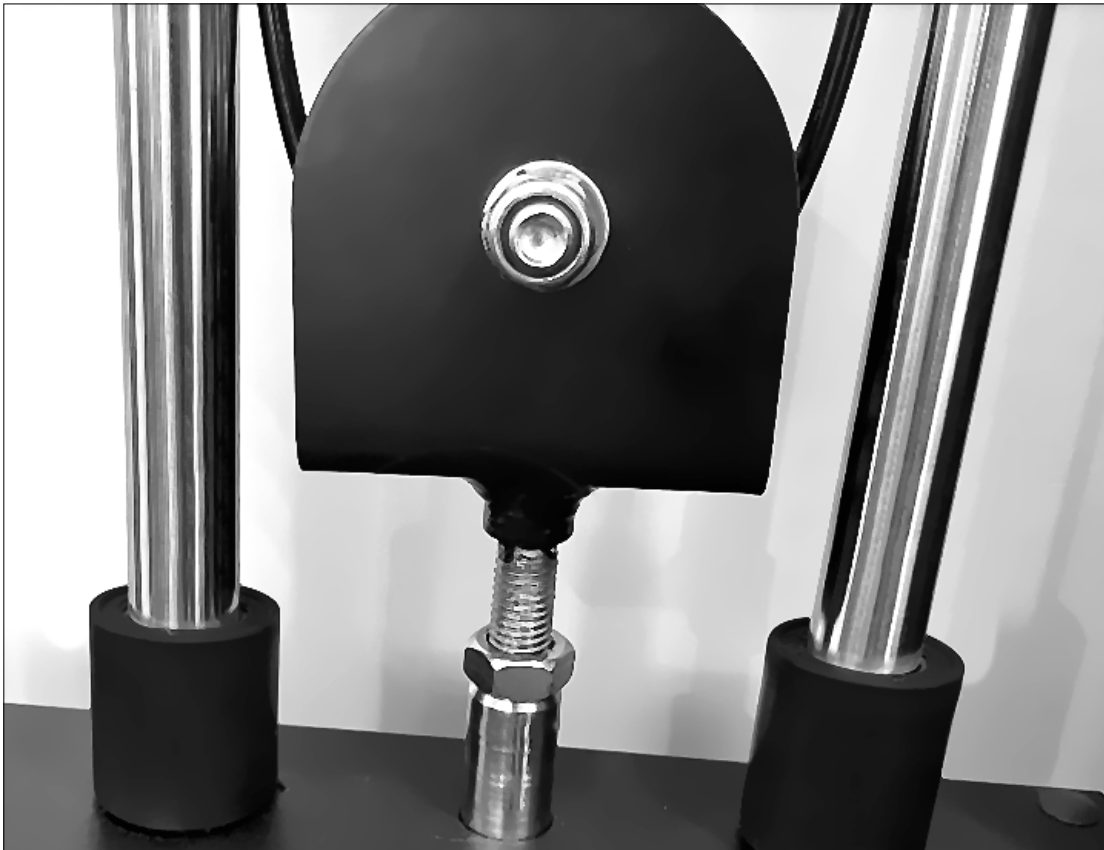
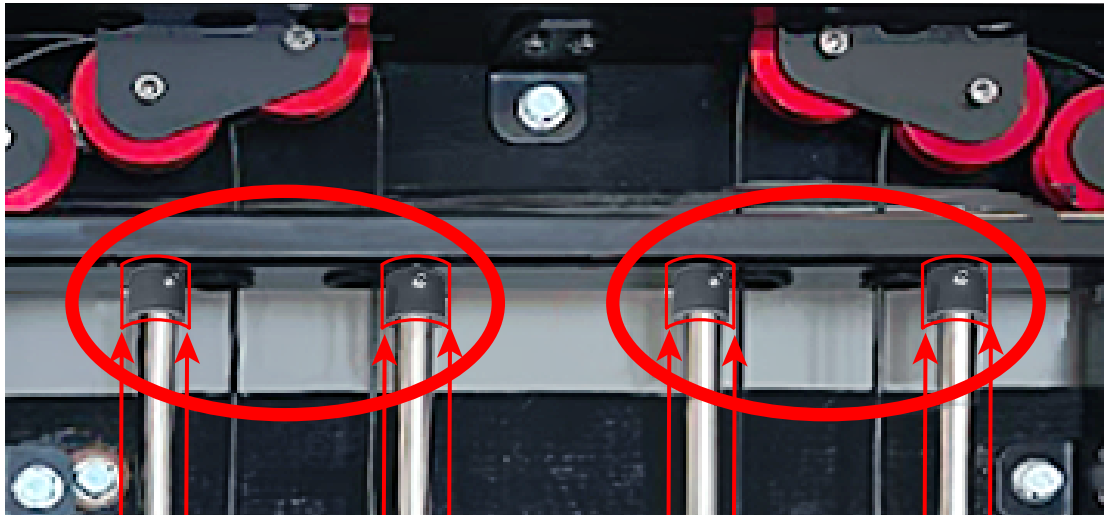
CABLE ROUTING

The blue lines below which represent the route of the cables.



SLIDE (4) SILVER CYLINDERS

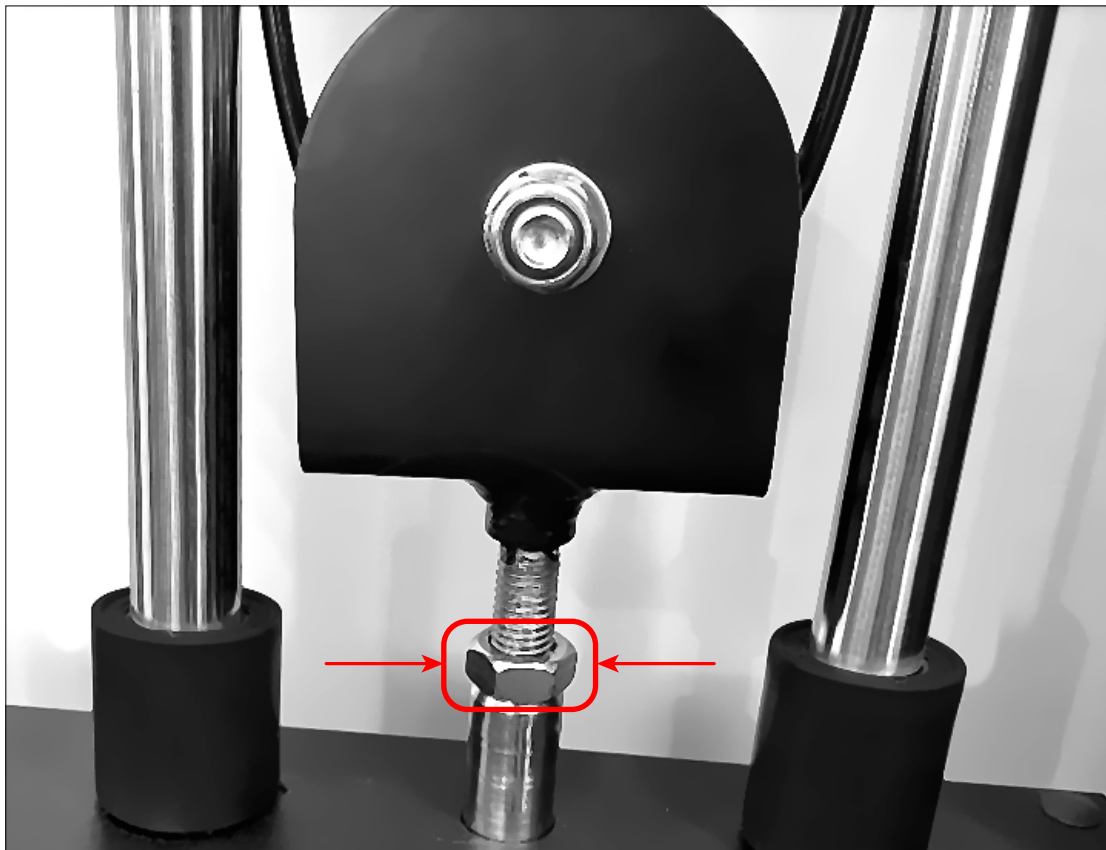
Glide the (4) Silver Cylinders w/Set Screws to the top of the guide rods, at a point where the cylinders touch the top of the frame. Once in place, tighten the set screws so they are secure.



CABLE TENSION ADJUSTMENT

Adjust Cable Tension by adjusting the nut which is shown in the pic below in red. Do this using a wrench on both stacks

You will need to find a point where cable tension is tight, but the top plate does not lift. If cable tension ever loosens or top plate raises, then adjust here.



CLEAN GUIDE RODS

Step must be completed prior to installing. Failure to do so can leave residue from packaging and other sources stuck in the bushings. It causes buildup in the bushings of the top plates. They just need to be cleaned out as well as the guide rods.

Guide rods need to make sure they are cleaned prior to installation otherwise this will cause the top plate to get stuck. It causes buildup in the bushings of the top plates. They just need to be cleaned out as well as the guide rods.

Use Silicon Spray and fiber to remove any excess residue. These can be found around the house or at a nearby hardware store, pics below. Use silicon Spray and steel wool.

We use "B'laster 16-SL Industrial Strength Silicone Lubricant" and Steel Wool, Grade #0000 Super Fine Grade

