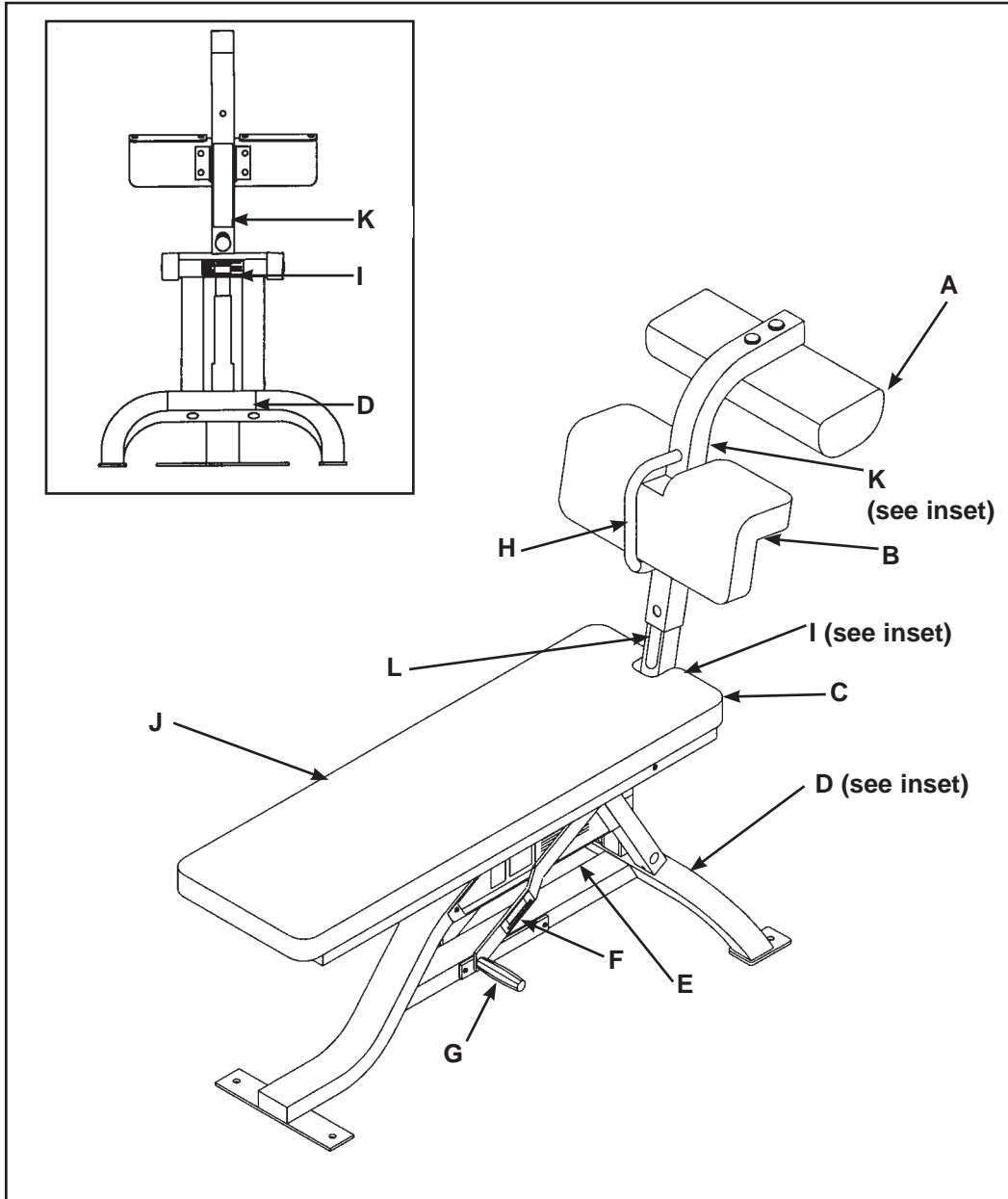


Bent Leg Ab Board

Product No. 5208

Parts List



DESCRIPTION	PART NO.
A. Contour Cushion.....	5208S069-0
B. Leg Cushion.....	5208S060-0
C. Bench Cushion.....	5208s052-0
D. Cyber Decal Black.....	3900-445
D. Cyber Decal Silver.....	3900-446
E. Right Placard Decal	5208Y083
F. Caution Decal	CM000219

DESCRIPTION	PART NO.
G. Foot Pedal Grip.....	PP400200
H. Grip	5208M046
I. Serial Number Decal	
J. Left Placard Decal.....	5208Y084
K. Warning Decal	5220-364
L. Adjusting Tube Decal	5208-302

Cybox Free Weight Owner's Manual

5208 - Bent Leg Ab Board

ITEM	QTY	PART NO.	DESCRIPTION
1	1	4000M218	Detent Pin
2	1	5208M040	Lower Pivot Shaft
3	1	5208M041	Upper Pivot Shaft
4	1	5208P042	Adjusting Post
5	1	5208P043	Spring Guide Rod
6	1	5208P044	Latch Bolt
7	2	5208M045	Wear Pad
8	1	5208M046	Grip 12.75 L
9	2	5208P048	Spacer
10	1	5208Y083	Right Hand Placard Decal
11	1	5208Y084	Left Hand Placard Decal
12	1	BS070201	Compression Spring .56 x .66 x .50 L
13	3	BS110200	Die Spring 1.23 x .65 x 2.07 L
14	1	3900-445	Cybox Decal 1.00 Horiz. Black
14	1	3900-446	Cybox Decal 1.00 Horiz. Silver
14			Removed 7-03
15	2	CM000219	Angle Adjust Caution Decal
16	1	FB030211	Cam Follower Bearing .75
17	2	FB050209	Flange Bearing 1.00 x 1.25 x .75 L
18	1	HC621228	HHCS .25-20 x 2.25
19	1	HC702822	SHCS .375-16 x 1.50
20	2	HC701224	HHCS .375-16 x 1.75
21	1	HD403326	Shoulder Bolt .625 x 2.00 .50-13
22	1	HD423348	Shoulder Bolt .75 x 4.75 .625-11
23	1	HN624100	Hex Nut .25-20
24	1	HN784000	Hex Nut .50-13
25	4	HN814400	Jam Nut .625-11
26	1	HS308300	Split Lockwasher .25
27	1	GP000002	Pulley Shoulder Adapter
28	2	HS348300	Split Lockwasher .375
29	10	HT102214	Tap Screw #10-12 x .625 A (Phillips)
30	2	HY662912	Set Screw .312-18 x .50 Cup point
31	1	JN714200	Hex Nut .375-24
32	1	JN814200	Hex Nut .625-11
33	4	JS407100	Machinery Bushing .625
34	1	JS408400	Split Lockwasher .625
35	4	PN660200	Plastic Insert 1.00 Dia. x 11 G
36	3	PP080202	Plastic Insert 1.19 Dia. x 11 G
37	4	PP090001	Plastic Insert 1.50 x 2.50 x 11 G
38	1	PP090210	Plastic Insert 2.00 Sq x 10-14 G
39	1	PP090202	Plastic Insert 1.50 x 3.00 x 11 G
40	2	PP400200	Foot Pedal Grip
41	1	PP460200	Plastic Knob .312-18
42	1	PR060003	Recess Bumper
43	2	PP080207	Plastic Insert .437 Dia. x 11 G
44	2	5208C049	Guard
45	1	HN784400	Jam Nut .50-13
46	1	5208W002	Base
47	1	5208W008	Bench
48	1	5208W017	Adjusting Tube
49	1	5208W020	Foot Lever
50	1	5208W026	Lower Adjustment
51	1	5208W037	Cushion Plate
52	1	5208S052-0	Bench Cushion
53	1	5208S060-0	Leg Cushion
54	1	5208S069-0	Contour Cushion
55	2	HC701236	HHCS .375-16 x 3.25
56	2	HS010000	Screw Cap Washer .375
57	8	JC700420	BHSCS .375-16 x 1.25
58	4	JC700936	FHSCS .375-16 x 3.25
59	2	PP080005	Screw Cap
60	1	4121K117	Detent Pin Kit
61	1	5220-364	Warning Decal
62	1	5208-302	Adjusting Tube Decal
63	1	51198	Strength Warranty Sheet (not shown)
64	10	JS347400	Internal Tooth Lockwasher

5208 - Bent Leg Ab Board

