



Cybex Arc Trainer®
Owners Manual and Service Manual
Cardiovascular Systems
Part Number 5750-4 G

Table of Contents

FCC Compliance Information	3
--------------------------------------	---

Safety

Ground and Voltage Information	4
Important Safety Instructions	5
Warning and Caution Decals	7
CSAFE Port	10

Assembly and Set Up

Warning and Caution Decals	11
Choosing and Preparing Site	11
Electrical Power Requirements	11
Technical Specifications - 750A	12
750A Top View	13
750AT Top View	13
Technical Specifications - 750AT	14
Tools Required	15
750A Contents	15
750A Hardware Pack	17
750AT Contents	18
750AT Hardware Pack	19
Testing Operation	33
Setup Screen	34

Preventive Maintenance

Warnings	65
Cleaning Unit	65
Preventive Maintenance Activities	66
Remove Access Cover	66
Attach Access Cover	67
Drive Belts	67
Recommended Service Schedule	68
Statistics	69
Error Codes	70
Rechargeable Battery	71
Environment	71

Customer Service

Product Registration	72
Contacting Service	72
Serial Number	73
Ordering Parts	74
Servicing of Double-Insulated Products	74
Return Material Authorization (RMA)	74
Damaged Parts	75

Cybox® and the Cybox logo are registered trademarks of Cybox International, Inc.

Polar® is a registered trademark of Polar Electro Inc.

iPOD® is registered trademark of Apple.

DISCLAIMER: Cybox International, Inc., makes no representations or warranties regarding the contents of this manual. We reserve the right to revise this document at any time or to make changes to the product described within it without notice or obligation to notify any person of such revisions or changes.

© Copyright 2011, Cybox International, Inc. All rights reserved. Printed in the United States of America.

10 Trotter Drive Medway, MA 02053 • 508-533-4300 • FAX 508-533-5183

www.cyboxintl.com • techhelp@cyboxintl.com • 5750-4 G

FCC Compliance Information



WARNING: *Changes or modifications to this unit not expressly approved by the party responsible for compliance could void the user's authority to operate the equipment!*

This equipment has been tested and found to comply with the limits for a Class B digital device, pursuant to Part 15 of the FCC Rules. These limits are designed to provide reasonable protection against harmful interference in a residential installation.

This equipment generates, uses and can radiate radio frequency energy and (if not installed and used in accordance with the instructions) may cause harmful interference to radio communications. There is no guarantee that interference will not occur in a particular installation.

If equipment does cause harmful interference to radio or television reception, (determine by turning the equipment off and on) the user is encouraged to try to correct the interference by one or more of the following methods:

- Reorient or relocate the receiving antenna.
- Increase the separation between the equipment and receiver.
- Connect the equipment into an outlet on a different circuit from the receiver.
- Consult dealer or an experienced radio/TV technician.

Safety

IMPORTANT: Read all instructions and warnings before using.

Ground and Voltage Information

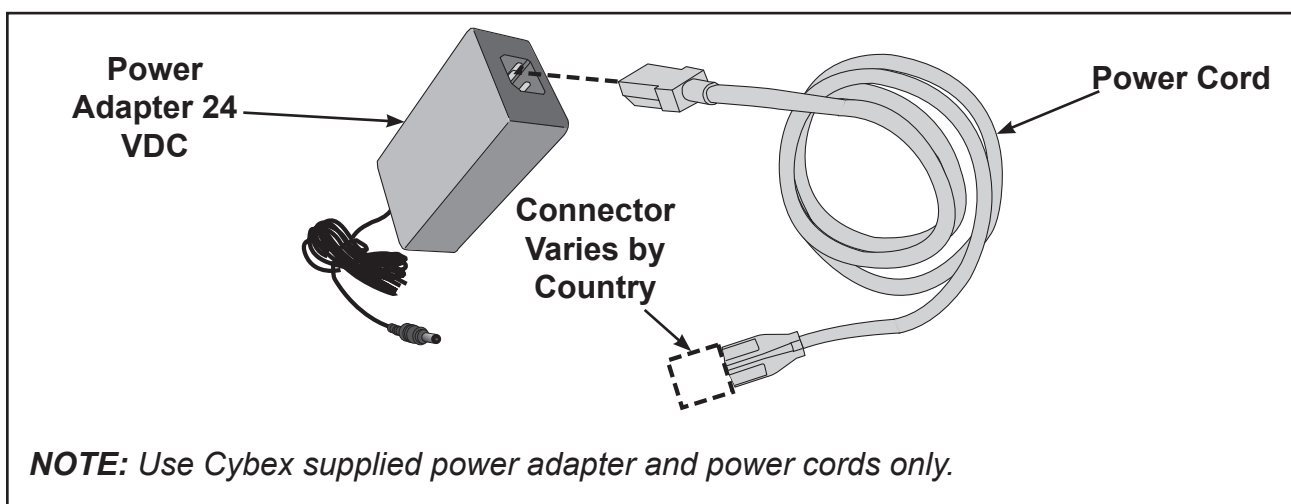
! DANGER: Improper connection of equipment grounding conductor can result in a risk of electric shock. Check with a qualified electrician or service provider if in doubt as to whether the unit is properly grounded.

For Optional Power Supply

- Unit must be grounded. This unit is equipped with an optional equipment-grounding conductor cord and a grounding plug.
- Do not use a ground plug adapter to adapt the power cord to a non-grounded outlet.
- Plug must be plugged into an appropriate outlet that is properly installed and grounded in accordance with all local codes and ordinances.
- If unit malfunctions, grounding provides path of least resistance for electric current to reduce risk of electric shock.

Cybox is not responsible for injuries or damages as a result of cord or plug modification.

- Verify voltage requirements of unit match local voltage requirements.
- Verify unit outlet is the same configuration as the plug.



Important Safety Instructions

(Save These Instructions)




DANGER: To reduce the risk of electrical shock, always unplug unit from electrical outlet immediately after use and before cleaning.



WARNING: Serious injury could occur if these listed precautions are not observed. Follow precautions to reduce the risk of burns, fires, electric shock or injury.

User Safety Precautions

Obtain medical exam before beginning any exercise program.

- **WARNING:** Heart rate monitoring systems may be inaccurate. Over exercise may result in serious injury or death. If you feel faint stop exercising immediately.
- Stop exercising if feeling faint, dizzy or experiencing pain and consult your physician.
- Obtain instruction before using. *Lisez les instructions avant l'utilisation.*
-  Read and understand the Owner's Manual and all warnings posted on the unit before using.
- Keep children away. Teenagers and disabled must be supervised. *Tenez les enfants éloignés. Les adolescents et les handicapés doivent être surveillés.*
- Use the handrails for support and to maintain balance.
- Wait until foot plates come to a complete stop before dismounting. *Attendre l'arrêt complet des repose pieds avant de descendre.*
- Keep foot plate surface clean and dry.
- **DO NOT** wear loose or dangling clothing while using.
- Keep all body parts and other items free and clear of moving parts.
- **DO NOT** use unit if user weight exceeds 400 lbs (180 kg). This is the rated maximum user weight.
- Report any malfunctions, damage or repairs to the facility.
- Replace any warning labels if damaged, worn or illegible.

Facility Safety Precautions

NOTE: *It is the sole responsibility of the user/owner or facility operator to ensure that regular maintenance is performed.*

- Enforce all user and safety precautions.
- Read and understand the Owner's Manual completely before assembling, servicing or using unit.
- Verify all users are properly trained on using the equipment.
- Do not use unit outdoors.
- Verify that each unit is setup, leveled and operated on a solid, level surface. Do not install equipment on an uneven surface.
- Verify there is enough room for safe access and operation of unit.
- Use Cybex AC power adapters only.
- Do not use the optional power adapter in damp or wet locations.
- Do not use the unit if: (1) the unit is plugged into an optional power adapter that has a damaged cord; (2) the unit is not working properly or (3) if the unit has been dropped or damaged. Seek service from a qualified technician.
- EQUIPMENT is not suitable for use in the presence of aerosol (spray), FLAMMABLE ANAESTHETIC MIXTURE WITH AIR or WITH OXYGEN or NITROUS OXIDE.
- Perform regular maintenance checks on unit. Performance level can be maintained only if examined regularly. Pay close attention to all areas most susceptible to wear, including (but not limited to) cables, pulleys, belts and grips.
- Replace any warning labels if damaged, worn or illegible.
- Immediately replace worn or damaged components. If unable to immediately replace worn or damaged components, then remove unit from service until repair is made.
- Do not attempt repairs; electrical or mechanical. Seek qualified repair technician when servicing. Failure to do so could result in serious injury. **Customer Service** for contact information.
- Use only Cybex supplied components to maintain/repair unit.
- Keep a repair log of all maintenance activities.
- Disconnect the optional power adapter before servicing unit.
- Do not use attachments unless recommended for the unit by Cybex.
- The unit may generate electromagnetic or other forms of interference, or it may be affected by interference from other equipment nearby. If this is suspected, take precautions by separating the equipment or otherwise shielding it to avoid such interference.

Unit with A/V Options

Devices connected to Cybox equipment must comply with appropriate safety standards. This includes but not limited to: UL 1647 and EN 60335-1.

There must be adequate mechanical mounting of the device in all combinations (configurations).

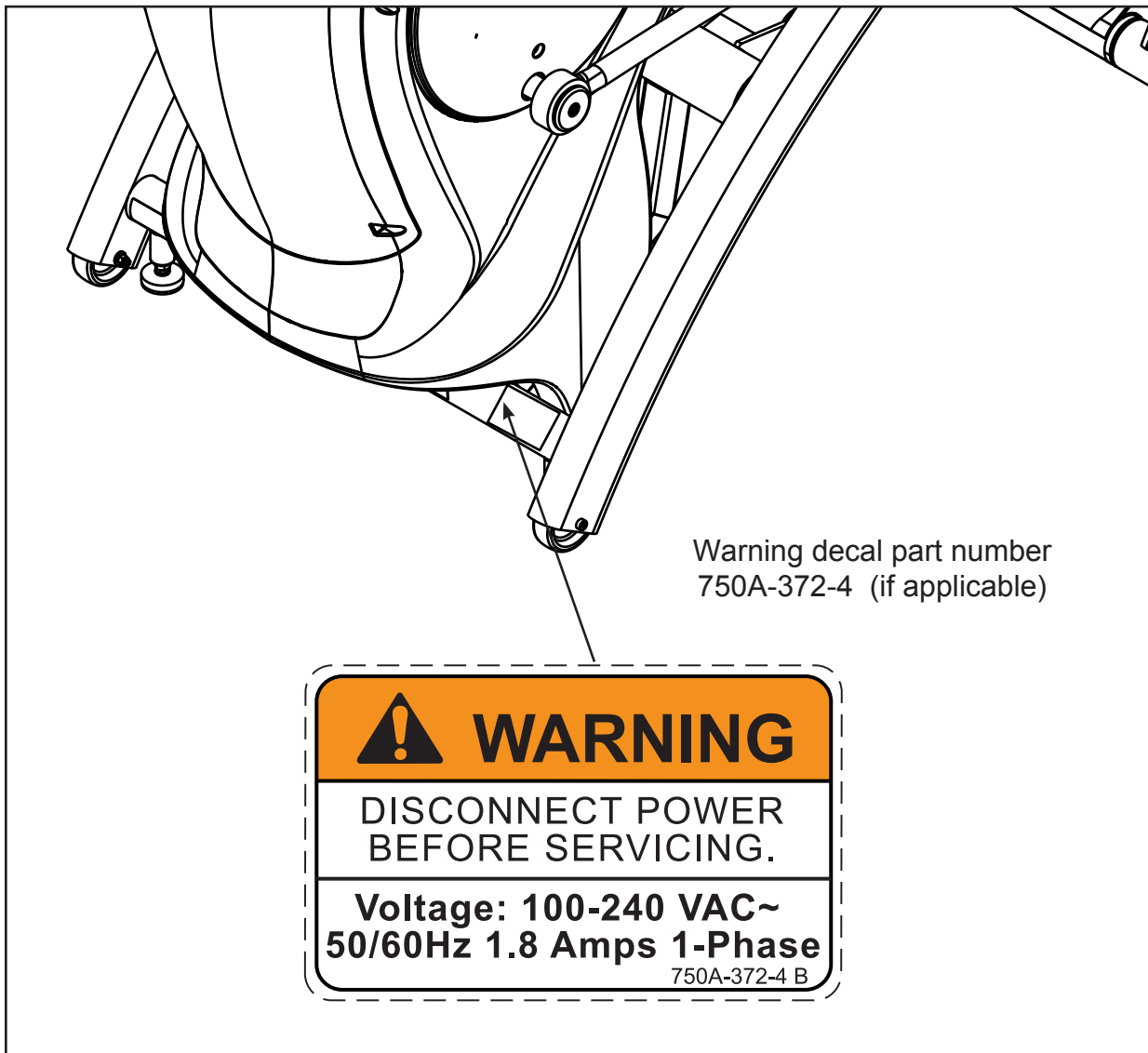
Device must be stable on the unit in all configurations.

Warning and Caution Decals

NOTE: To replace any worn or damaged labels, Customer Service for contact information.

Warning decals indicate a potentially hazardous situation which, if not avoided, could result in death or serious injury.

Carefully read and understand the following caution and warning labels before using the unit.



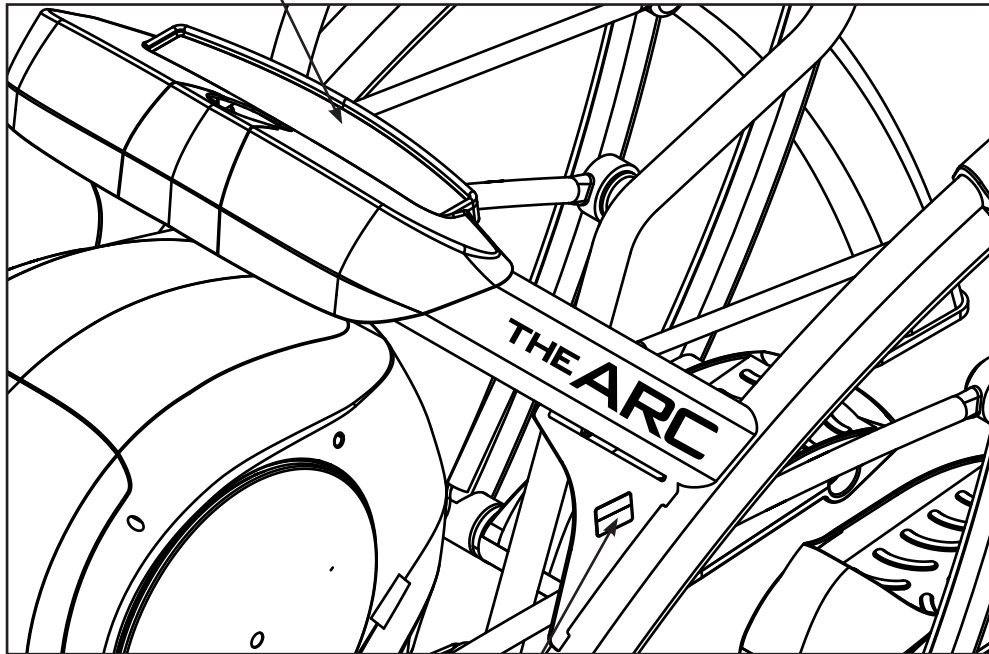
⚠ WARNING

SERIOUS INJURY COULD OCCUR IF THESE PRECAUTIONS ARE NOT OBSERVED

1. Obtain a medical exam before beginning any exercise program.
2. **WARNING!** Heart rate monitoring systems may be inaccurate. Over exercise may result in serious injury or death. If you feel faint stop exercising immediately.
3. Stop exercising if feeling faint, dizzy, or experiencing pain and consult your physician.
4. Obtain instruction before using. *Lisez les instructions avant l'utilisation.*
5. Read and understand the Owner's Manual and all warnings posted on the unit before using.
6. Keep children away. Teenagers and disabled must be supervised. *Tenez les enfants éloignés. Les adolescents et les handicapés doivent être surveillés.*
7. Use the handrails for support and to maintain balance.
8. Wait until foot plates come to a complete stop before dismounting. *Attendez l'arrêt complet des repose pieds avant de descendre.*
9. Keep foot plate surface clean and dry.
10. DO NOT wear loose or dangling clothing while using.
11. Keep all body parts and other items free and clear of moving parts.
12. DO NOT use unit if user exceeds 400 lbs. (180 kg). This is the rated maximum user weight.
13. Report any malfunctions, damage or repairs to the facility.
14. Replace any warning labels if damaged, worn or illegible.

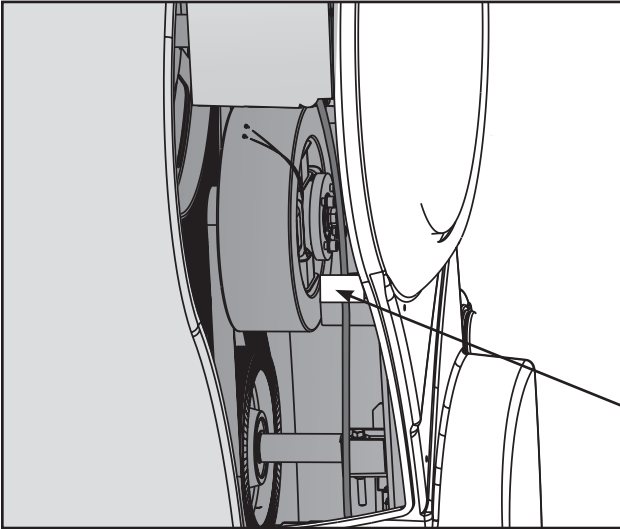
750A-330-4

Warning decal part number 750A-330-4



Warning decal part number DE-17219-4 (Both Sides)

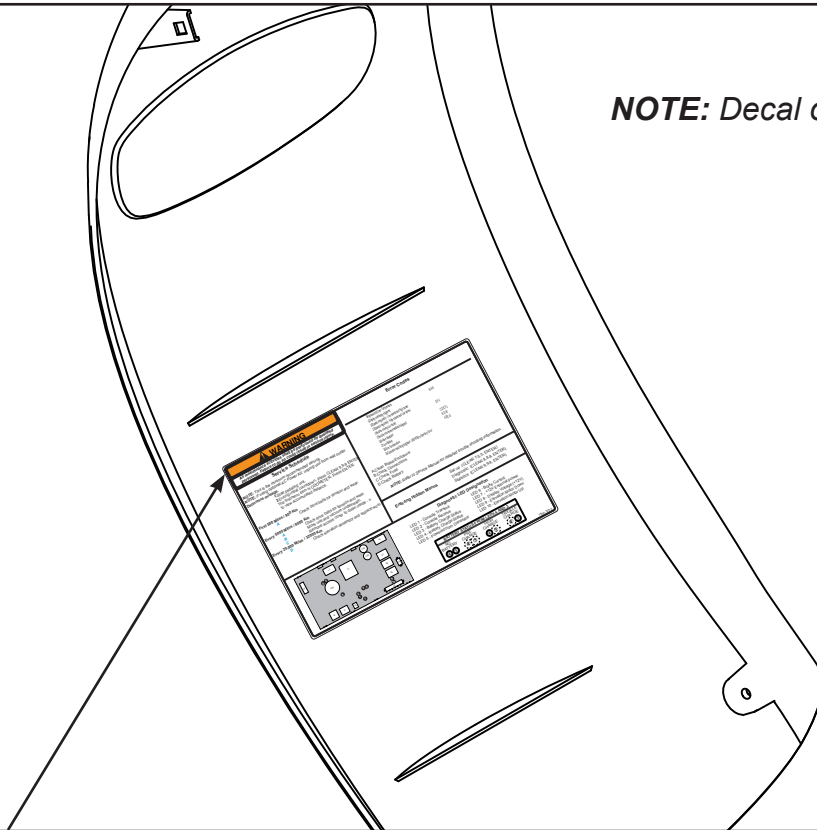




Warning decal part number DE-17155-4



NOTE: Decal on inside of cover.



WARNING

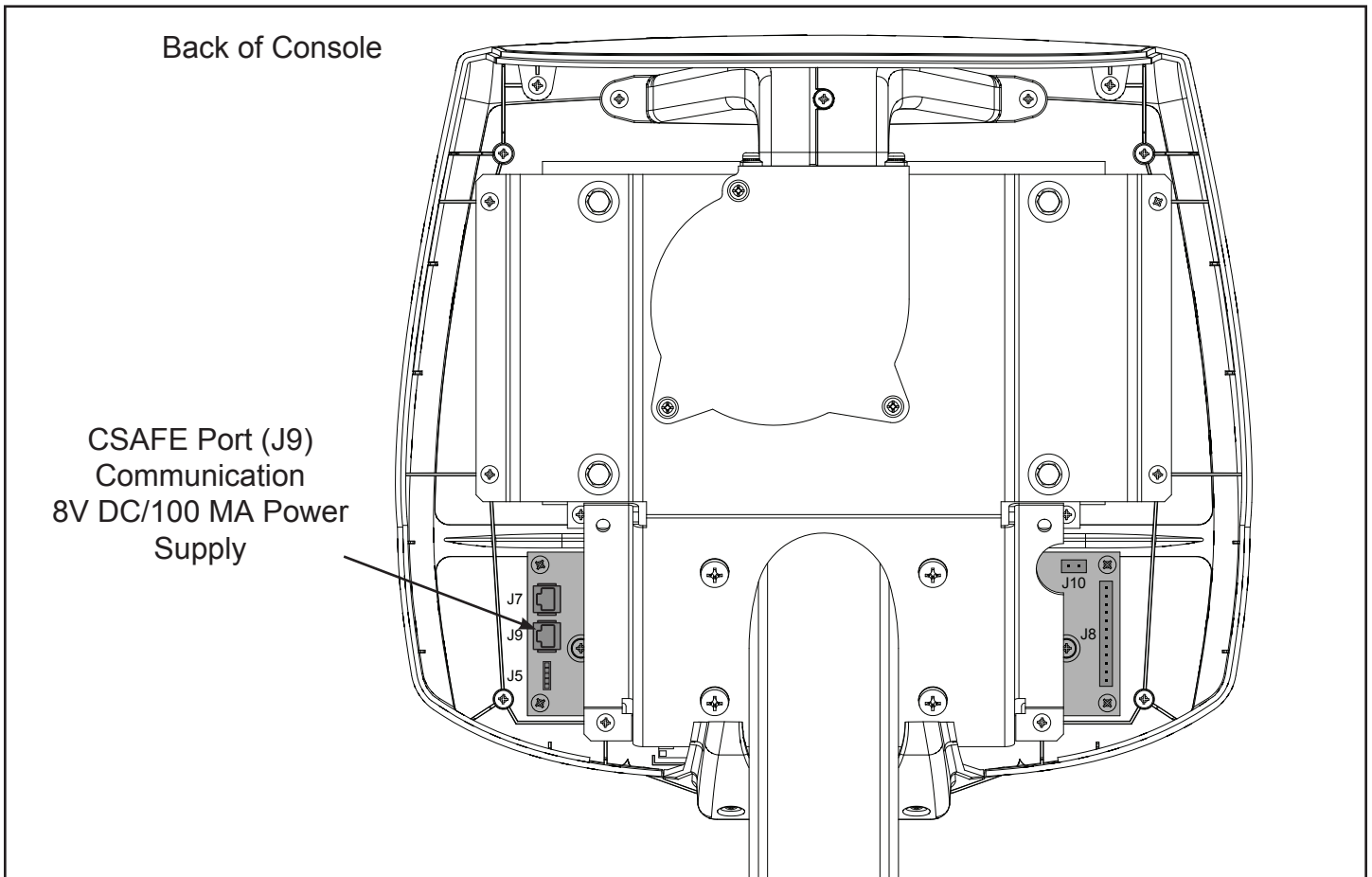
All maintenance activities shall be performed by qualified personnel. Failure to do so could result in serious injury.

Warning decal part number - 750A-329-4

CSAFE Port

The CSAFE standard defines a communication protocol and low-voltage DC power source specific to the Fitness Equipment Industry. These RJ-45 phone jacks are provided for use ONLY within the CSAFE protocol. For more information on CSAFE standard, visit www.fitlinxx.com/csafa.

NOTE: The CSAFE port inside the console, accessible through the back cover, is the only port that carries BOTH the CSAFE communication lines and the 8.0v DC CSAFE power supply. If attaching a CSAFE compliant device that requires power, this connection must be used. Power is present only when the unit is in use or when a power supply is attached.



Assembly and Set Up

Warning and Caution Decals



Read and understand all warnings and cautions listed in **Safety Section** before assembling unit. Use extreme caution when assembling the unit. Failure to do so could result in injury or death.



WARNING: Always use proper lifting methods when moving heavy items.

Ensure all electrical requirements are met as indicated in the specifications in the **Safety Section** and as listed in this chapter.

Choosing and Preparing Site

Before assembling the unit, verify chosen site meets the following criteria:

Area is well lit and well ventilated.

Surface is structurally sound and properly leveled.

NOTE: Place a 3/4" (1.9 cm) thick wood base under unit to protect carpeting.

Area allows for ample access and passage clearance around unit or for emergency dismount. Minimum clearance is 19.7 inches (.5 meters) on at least one side of unit and also behind unit.

Electrical Power Requirements

NOTE: The AC power kit is optional.

Verify unit is connected to an outlet having the same configuration as the plug

Verify connection is a grounded circuit.

NOTE: Do not use a ground-plug adapter to adapt the 3-prong power cord to a non-grounded electrical outlet.

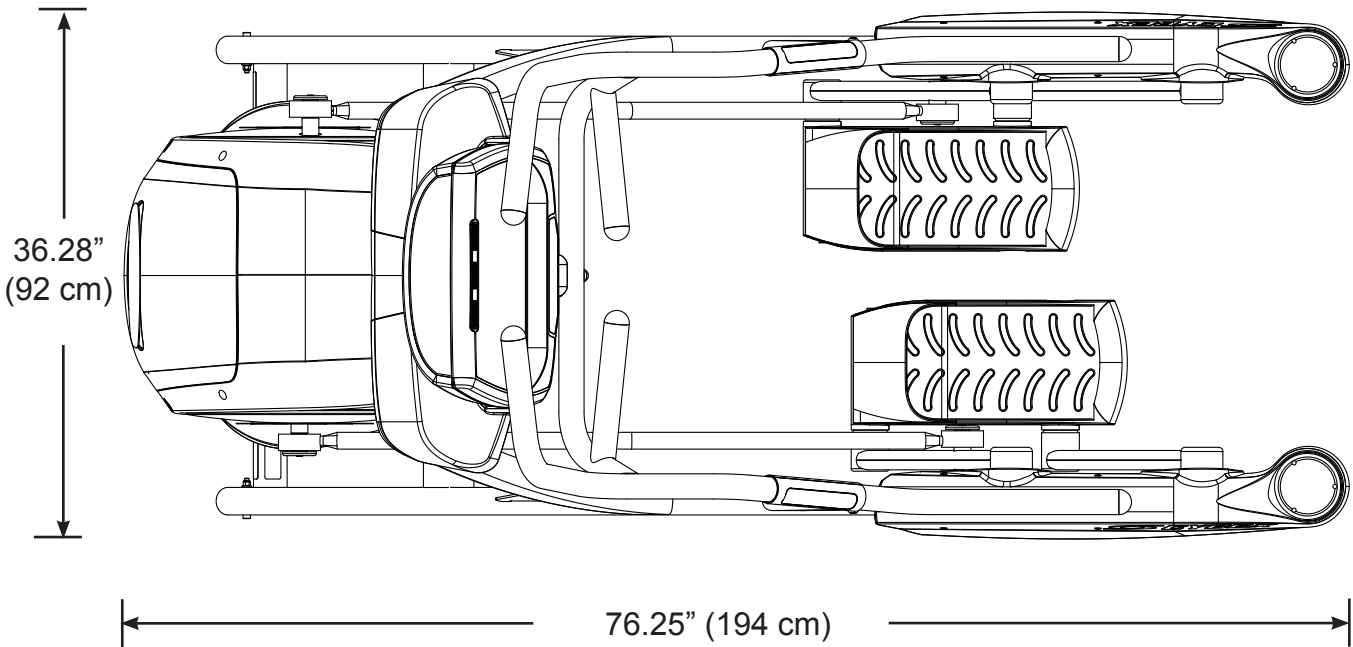
NOTE: Use Cybox supplied optional AC power kit only. Consult an electrician with any questions.

Verify power supply is compliant with local building codes.

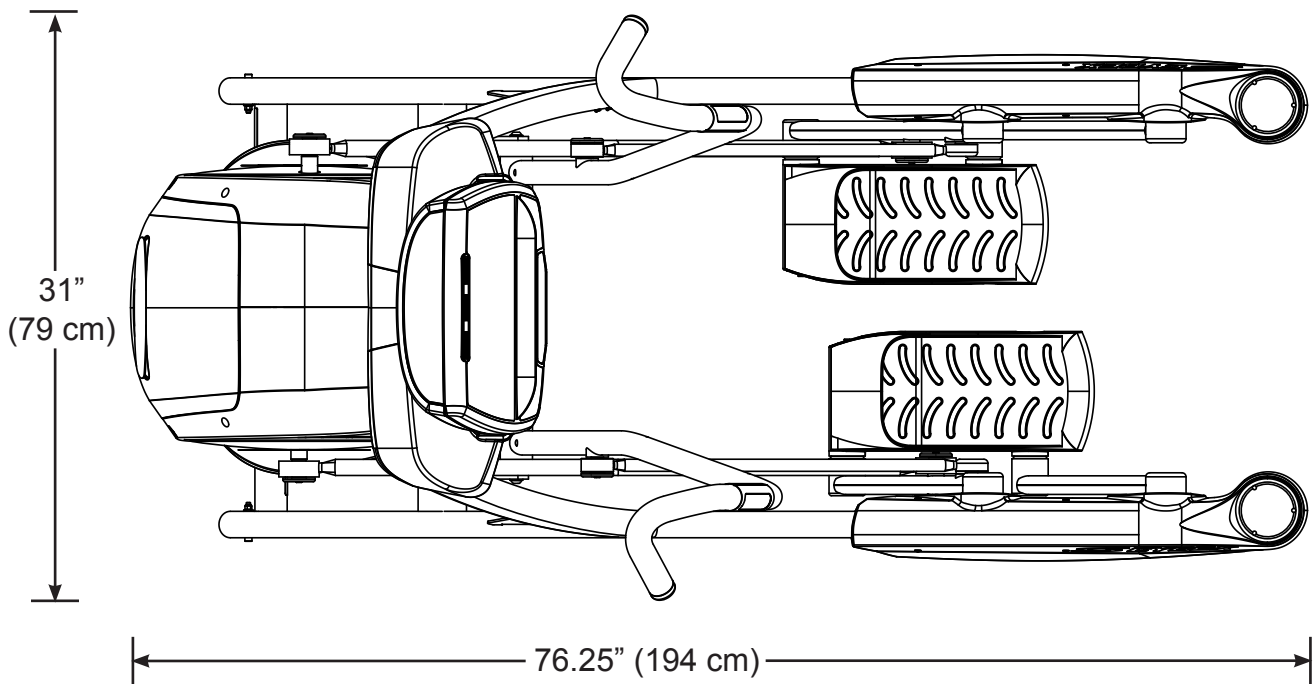
Technical Specifications - 750A

Classification	S (Studio)
Accuracy	A
Assembled Length	76.25" (194 cm)
Assembled Width	36.28" (92 cm)
Height:	39.79" (101 cm)
Weight of Product	404 lbs (183 kg)
Shipping Weight	429 lbs (195 kg)
Incline Levels	0-20
Resistance Levels	101 (Represented by 0-100% in increments of 1).
Stride Length	24" (61 cm) fixed length.
Programs	Quick Start plus Manual, 8 Factory Programs, Heartrate Control, Constant Power, Power Training, Fitness Test, and ability to store 9 custom programs.
Console Features	Upper console: Large Bar Graph Matrix for displaying program profiles, 16 character dot matrix area for display and scrolling text, a multi-color backlit heart for conveying heartrate range. The Text Display area can show Cal/Hr, Distance, Strides per Minute, Calories, Watts, METs and BPM. Lower Console: Two numeric displays for incline, time, resistance and level.
Heart Rate Features	Built-in wireless heart rate receiver (transmitter not included) and contact heart rate monitoring.
Frame Colors	Standard: White texture, black texture, metaltone gold, black chrome, platinum sparkle. Custom: Unlimited colors available.
Resistance Range	0-900 watt.
Maximum User Weight	400 lbs. (181 kg).
Power Rating	Self powered or 100 - 240 VAC~, 50/60 Hz, 1.8A, 1-phase.
Options	Cybex Personal Entertainment Module and optional AC Power Adapter

750A Top View



750AT Top View



Technical Specifications - 750AT

Classification	S (Studio)
Accuracy	A
Assembled Length	76.25" (194 cm)
Assembled Width	31" (79 cm)
Height:	62.5"(159 cm)
Weight of Product	412 lbs. (187 kg.)
Shipping Weight	437 lbs. (198 kg.)
Incline Levels	0-20
Resistance Levels	101 (Represented by 0-100% in increments of 1).
Stride Length	24" (61 cm) fixed length.
Programs	Quick Start plus Manual, 8 Factory Programs, Heartrate Control, Constant Power, Power Training, Fitness Test, and ability to store 9 custom programs.
Console Features	Upper console: Large Bar Graph Matrix for displaying program profiles, 16 character dot matrix area for display and scrolling text, a multi-color backlit heart for conveying heartrate range. The Text Display area can show Cal/Hr, Distance, Strides per Minute, Calories, Watts, METs and BPM. Lower Console: Two numeric displays for incline, time, resistance and level.
Heart Rate Features	Built-in wireless heart rate receiver (transmitter not included) and contact heart rate monitoring.
Frame Colors	Standard: White texture, black texture, metaltone gold, black chrome, platinum sparkle. Custom: Unlimited colors available.
Resistance Range	0-900 watt.
Maximum User Weight	400 lbs. (181 kg).
Power Rating	Self powered or 100 - 240 VAC~, 50/60 Hz, 1.8A, 1-phase.
Options	Cybex Personal Entertainment Module and optional AC Power Adapter

Tools Required

- Phillips screwdriver
- Torque wrench (in/lb)
- 3/16" Allen wrench (supplied)
- 7/32" Allen wrench (supplied)
- 9/16" Open end wrench

NOTE: The words "left" and "right" denote the user's orientation.

 **Read and understand all instructions thoroughly before assembling unit.**

Verify correct package.

1. Read box label to verify the model number and voltage (optional) match what was ordered.
2. Lift and remove cardboard sleeve surrounding unit.
3. Verify paint color matches what was ordered.
4. Verify correct voltage if option AC power kit is included.

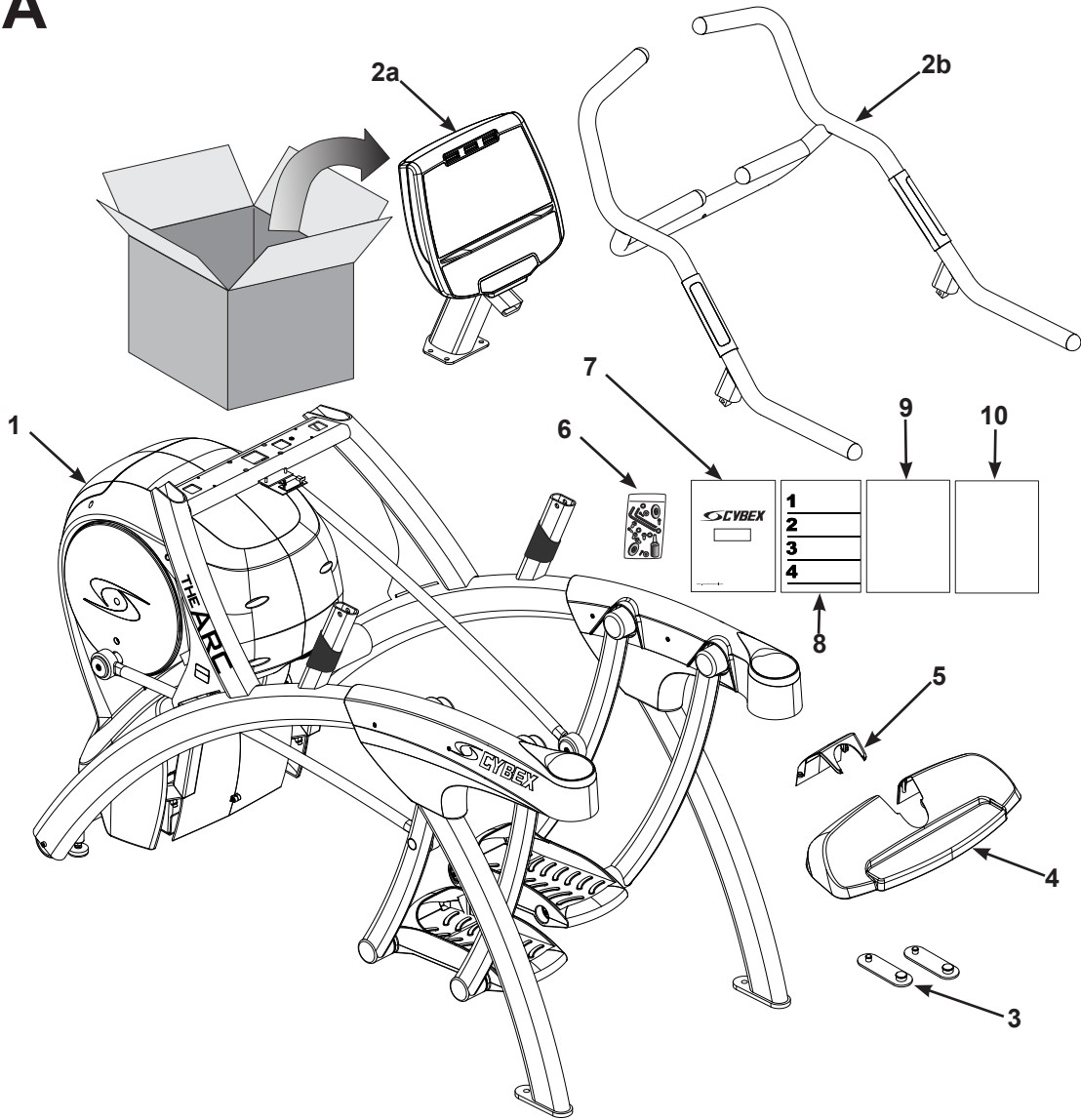
Unpack and verify 750A contents of carton.

1. See 750A content listing and diagram below for 750A carton contents.
2. Check off each item as found. See **Customer Service** for contact information if any parts are missing.

750A Contents

Item	Quantity	Part Number	Description
1	1	Vanes	Base with covers attached
1a	1	Vanes	Console assembly (in box)
2a	1	750A-124	Handrail assembly
3	2	12090-322	Foot pad
4	1	740A-370	Tray, Main
5	1	740A-371	Tray, insert
6	1	NA	Hardware pack
7	1	5750-4	Owner's Manual
8	1	750A-402	Assembly poster
9	1	750A-391	Commercial Arc warranty sheet
10	1	750A-392	Consumer Arc warranty sheet

750A

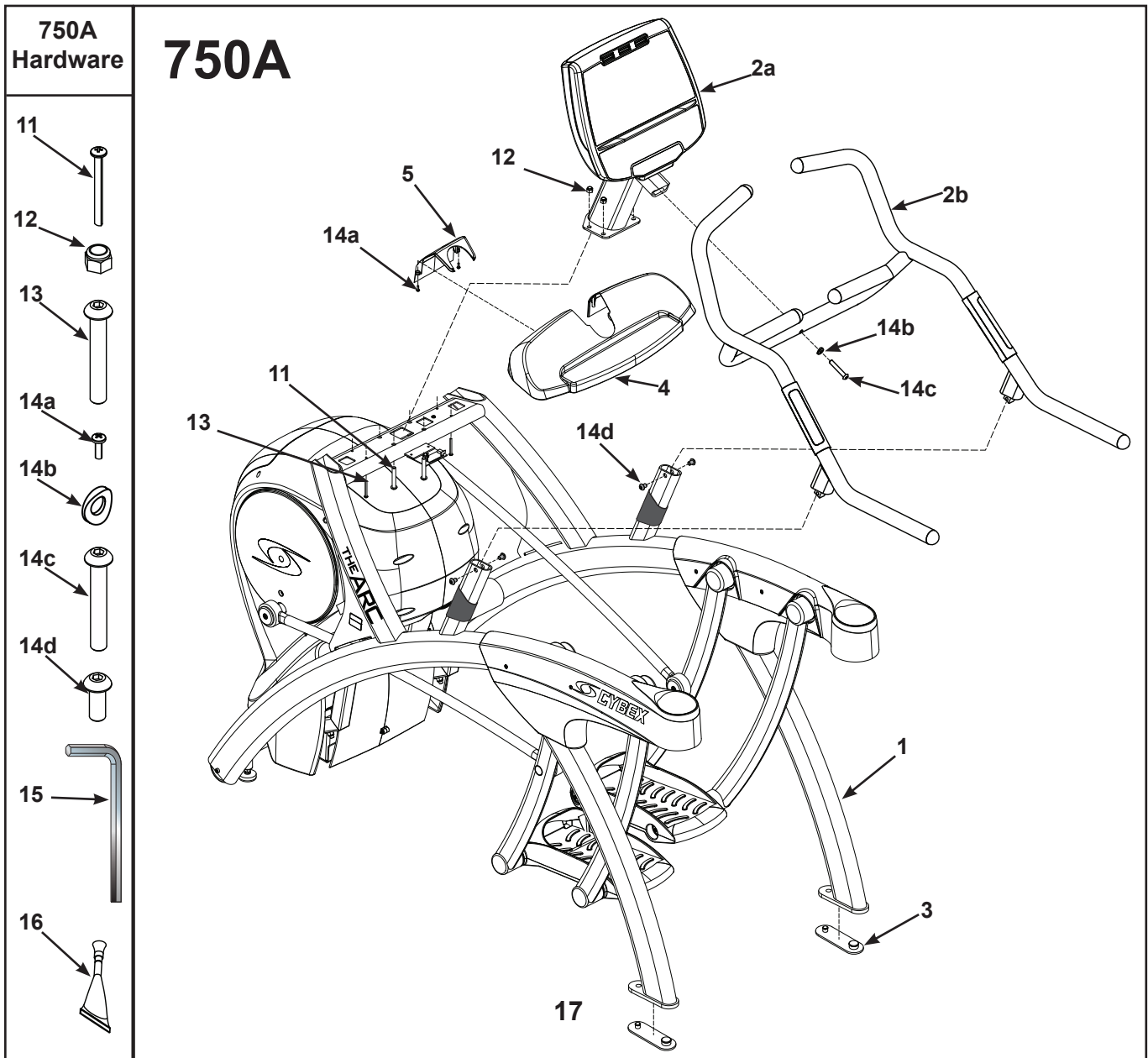


Verify contents of 750A hardware pack

1. See 750A hardware pack listings 750A hardware pack contents.
2. Check off each item as found. See Customer Service for contact information if any parts are missing.

750A Hardware Pack

Item	Quantity	Part Number	Description
11	4	HT592526	Tap SC 10-12 x 2.00 Type A PN HD PHIL
12	4	HN704901	Locknut, .375-16 Nylon
13	5	HC700428	BHSCS .375-16 x 2.25
14a	2	HT552512	Pan HD Phil Hd Self Tapping, 8-16 x .50 Type WB
14b	1	750A-403	Washer, Saddle, .390 ID x .750 OD x 6
14c	1	HX700428	BHSCS .375-16 x 2.25 SS
14d	4	HX700412	BHSCS .375-16 x .50 SS
15	1	BK030204	7/32" Allen Wrench
16	1	YA000201	Loctite

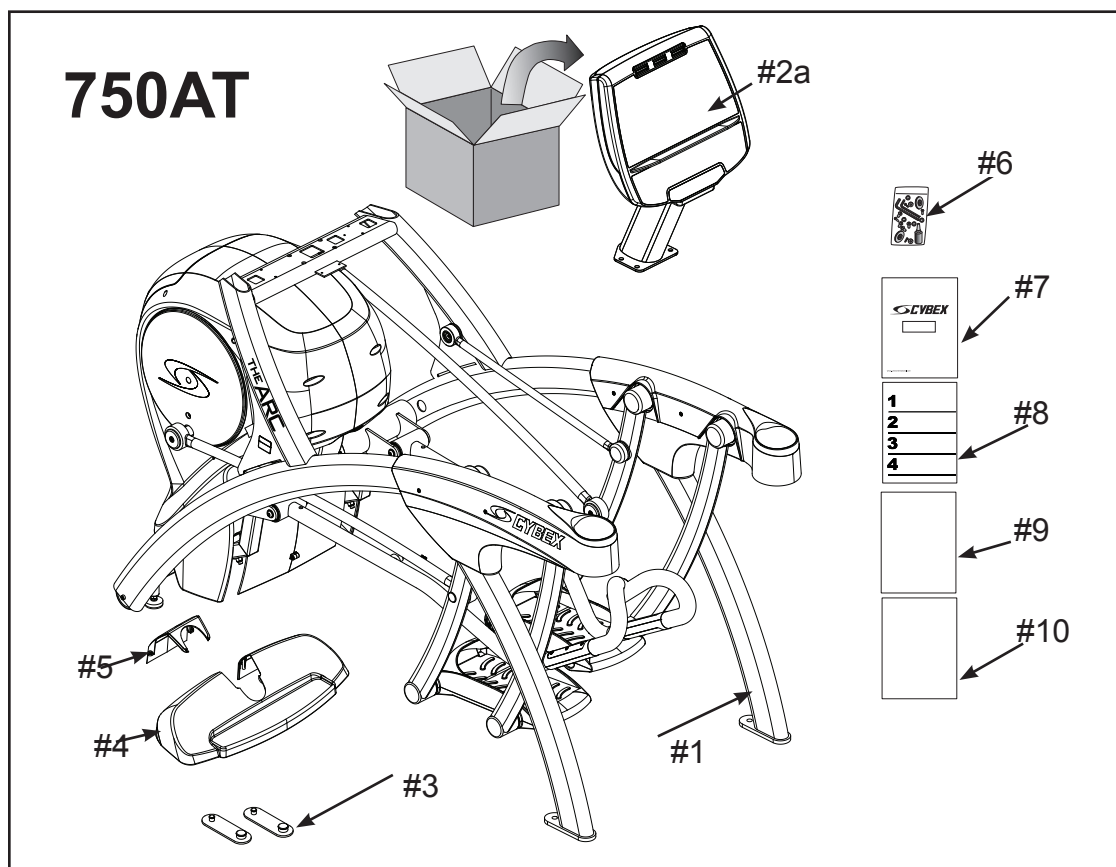


Verify contents of 750AT hardware pack.

1. See 750AT content listing and 750AT carton contents.
2. Check off each item as found. See Customer Service for contact information if any parts are missing.

750AT Contents

Item	Quantity	Part Number	Description
1	1	Varies	Base with covers attached
2a	1	Varies	Console assembly (in box)
3	2	12090-322	Foot pad
4	1	740A-370	Tray, Main
5	1	740A-371	Tray, Insert
6	1	NA	Hardware pack
7	1	5750-4	Owner's Manual
8	1	750A-393	Assembly poster
9	1	750A-391	Commercial Arc warranty sheet
10	1	750A-392	Consumer Arc warranty sheet

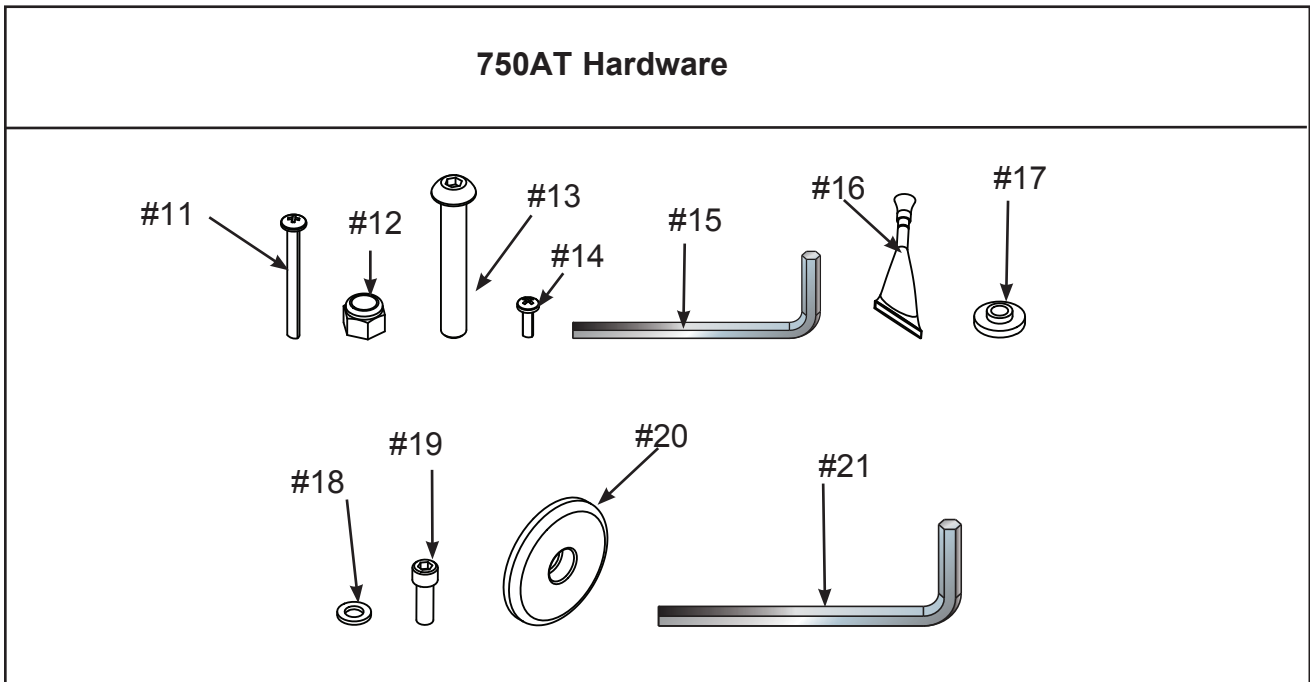


Verify contents of 750AT hardware pack.

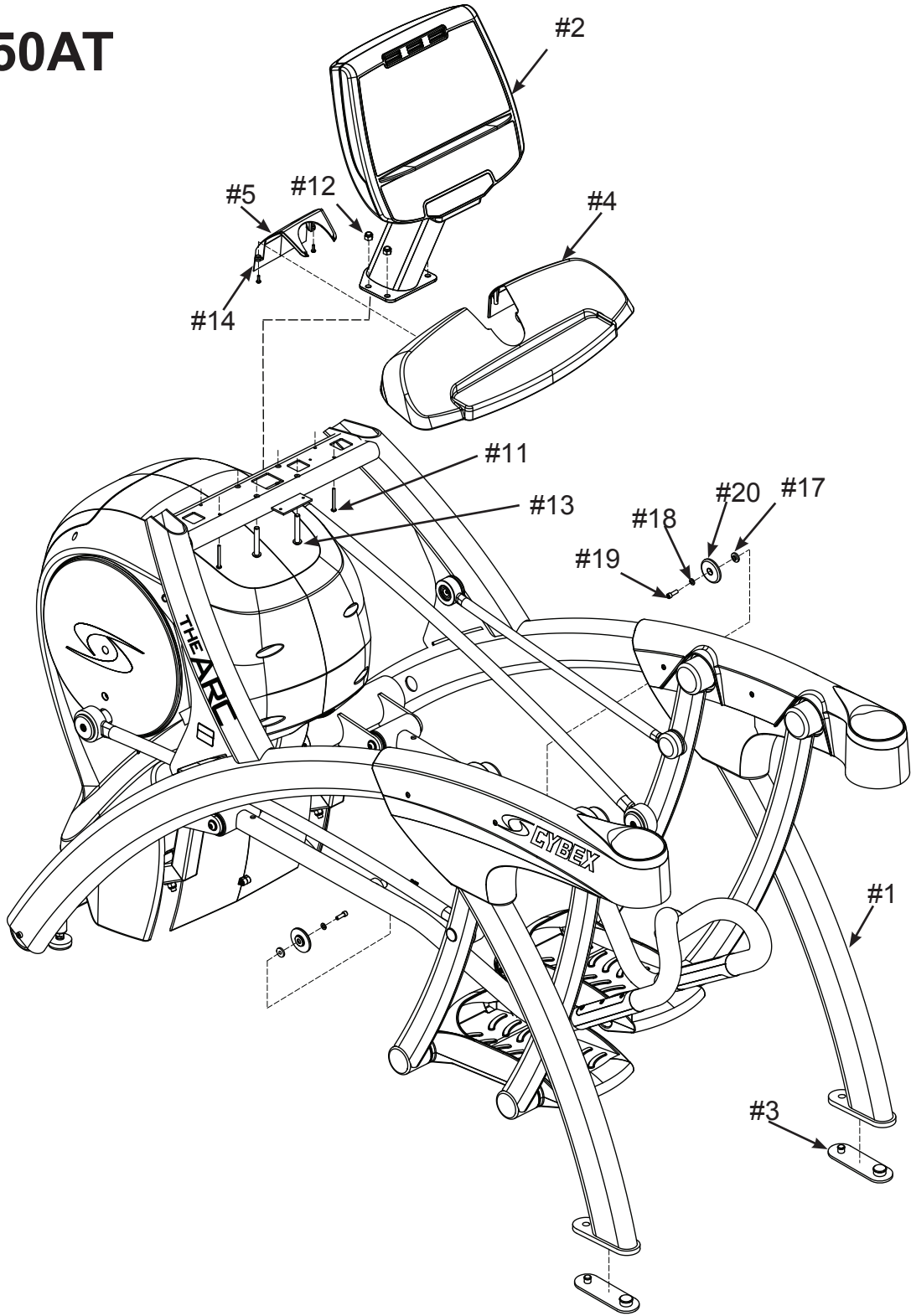
1. See 750AT hardware pack listings and 750AT hardware pack contents.
2. Check off each item as found. See Customer Service for contact information if any parts are missing.

750AT Hardware Pack

Item	Quantity	Part Number	Description
11	4	HT592526	Tap SC 10-12 x 2.00 Type A PN HD PHIL
12	4	HN704901	Locknut, .375-16 Nylon
13	4	HC700428	BHSCS .375-16 x 2.25
14	2	HT552512	Pan HD Phil Hd Self Tapping, 8-16 x .50 Type WB
15	2	BK030204	7/32" Allen Wrench
16	1	YA000201	Loctite
17	2	600A-311	Flange Spacer
18	2	HS307601	Washer, Flat .281 ID x .500 OD x .062 T
19	2	HX622815	SHCS .250-20 UNC-3A SS
20	2	PL-16535	Linkage Rod Cap 2.00 OD
21	1	BK030201	3/16" Allen Wrench

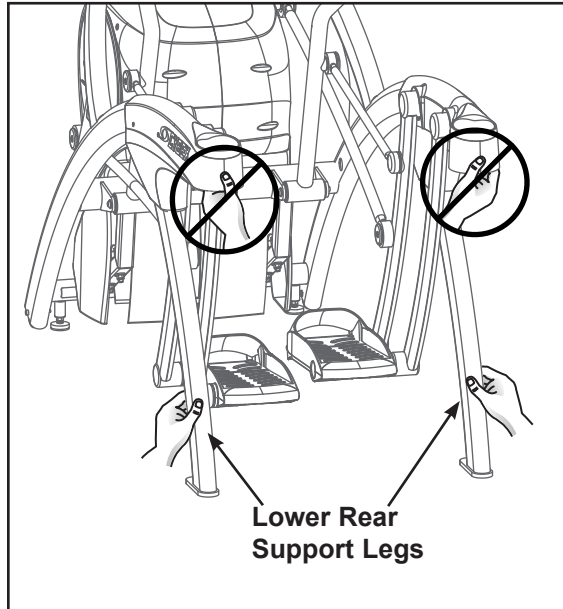


750AT



Lift and move unit.

1. Carefully remove large bolts and shipping supports. Keep package material on linkage arms at this time. This will protect the paint from scratching during assembly.
2. With one person on each side, firmly grasp each rear support leg and lift. Do not grasp plastic pivot covers. Grasping plastic pivot covers may cause damage to unit.

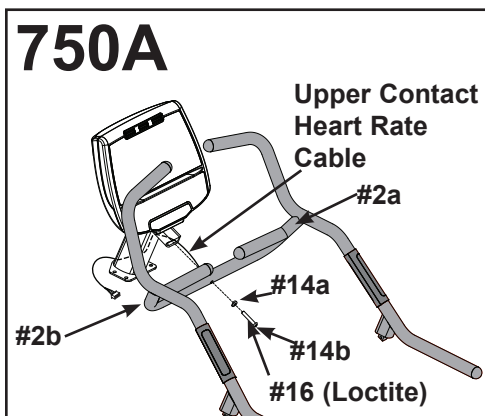


3. Using proper lifting methods, lift the lower rear support legs so the front transport wheels are able to roll on floor.
4. Move unit to intended location.
5. Carefully lower rear support leg.

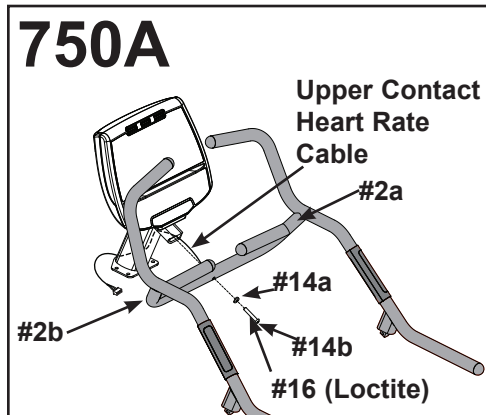
Attach 750A console assembly to handrail assembly.

NOTE: If installing the A/V option, refer to the installation instructions supplied with the A/V unit.

1. Locate the console assembly (#2a), handrail assembly (#2b), saddle washer (#14a) and one BHSCS .375-16 x 2.25 SS (#14b).



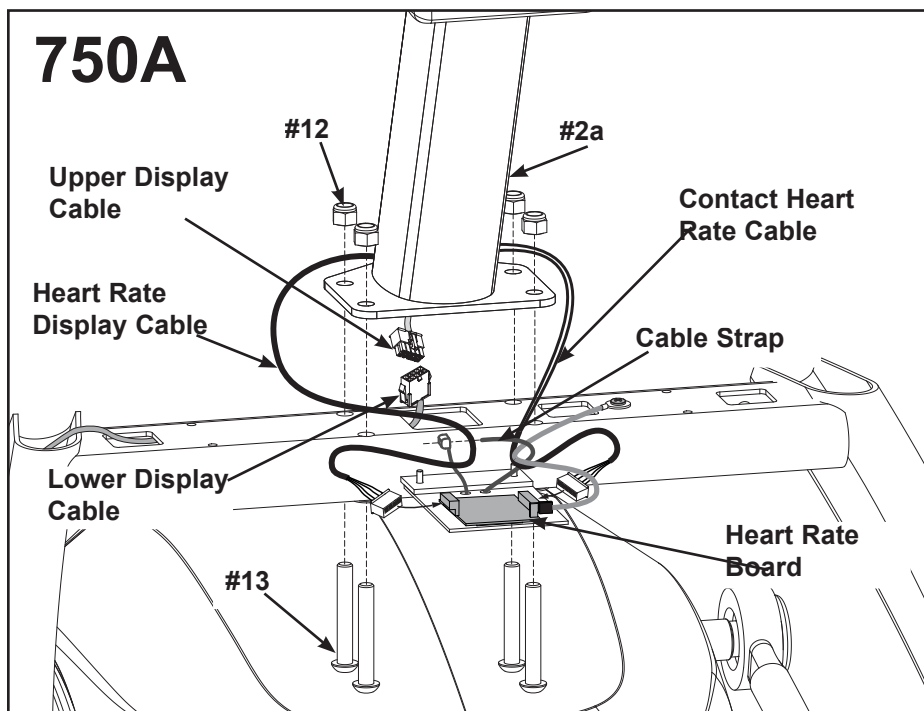
2. Locate the contact heart rate cable in the handrail assembly.
3. Thread upper contact heart rate cable through the console mount.



4. Attach the console assembly (#2a) to the handrail assembly (#2b); using a 7/32" Allen wrench, secure with one saddle washer .390 ID x .750 OD x 6 (#14a) and one BHSCS .375-16 x 2.25 SS (#14b). Refer to the above diagram.

Attach 750A cables

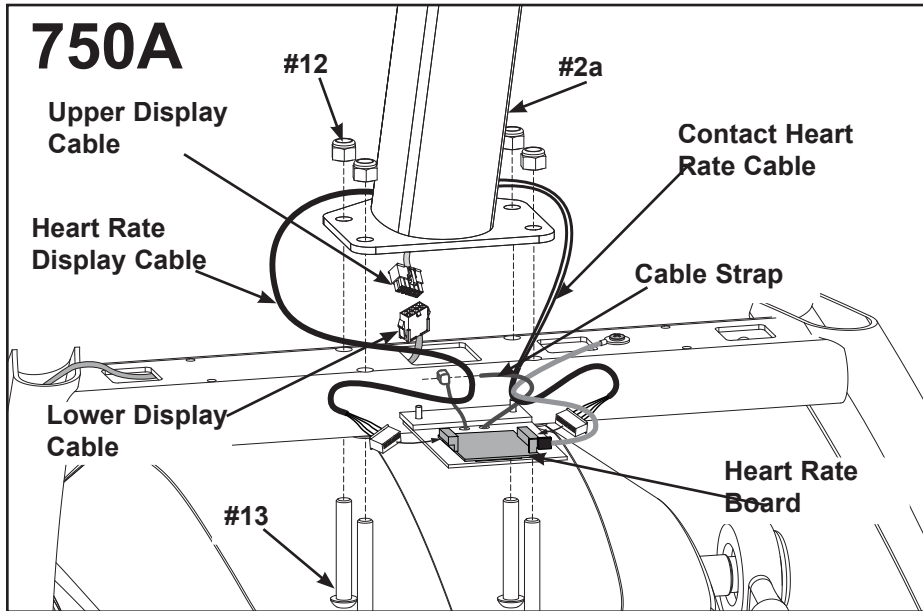
1. Locate the upper display cable, contact heart rate cable, and plug into the lower display cable.



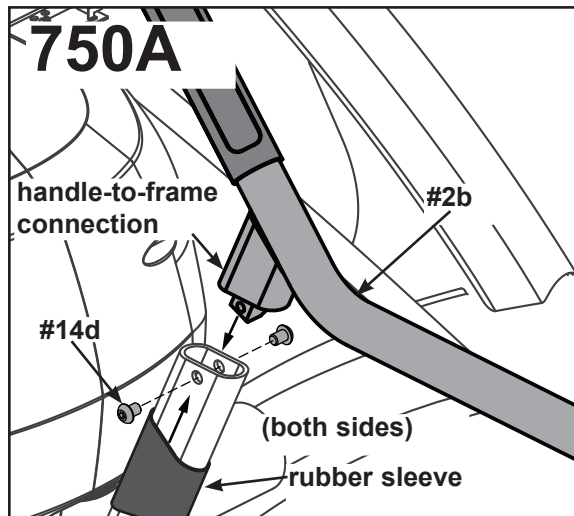
2. Plug the heart rate display cable (threaded through console mount in step 8C) into the heart rate board. Ensure cable connectors are securely fastened. Tighten cable strap. Refer to above the diagram.

Attach 750A console and handrail assembly.

1. Locate four nylon locknuts (#12) and four BHSCS .375-16 x 2.25 (#13).



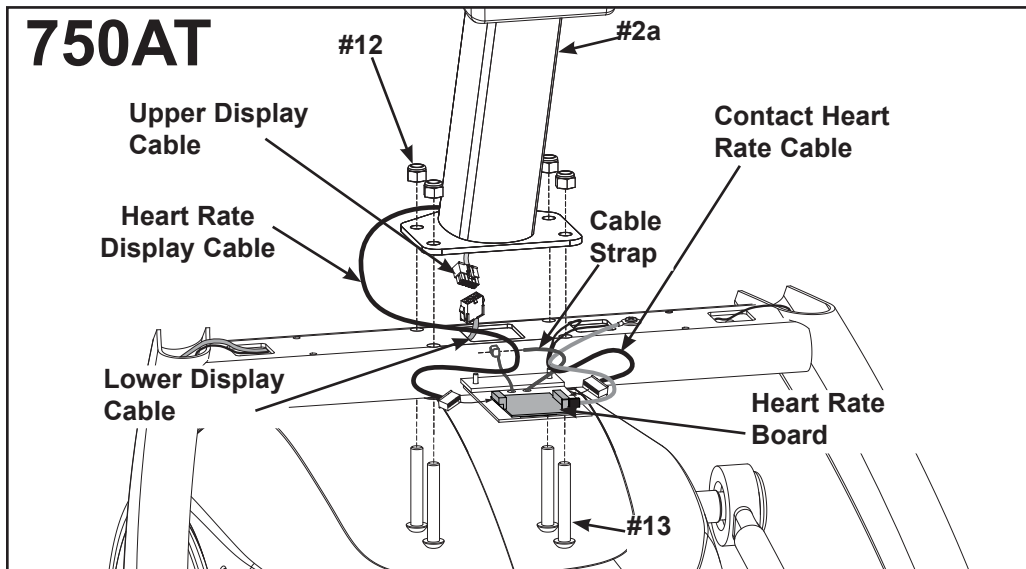
2. With an assistant, place the console assembly (#2a) and handrail assembly (#2b) in the correct position on the main frame. *Confirm that no cables are pinched while lowering the console.*
3. Insert (from underneath) the four BHSCS .375-16 x 2.25 (#13). Hand thread the four .375-16 nylon locknuts (#12) in position. Do not tighten at this point.
4. Apply loctite to and insert the four BHSCS .375-16 x .50 SS (#14d). Do not tighten at this point.



5. Hold the four BHSCS .375-16 x 2.25 (#13) with a 7/32" Allen wrench (#15) while tightening with a 9/16" open end wrench to secure console.
6. Using a 7/32" Allen wrench, tighten the four BHSCS (#14d) to secure the handle assembly. Refer to the above diagram.
7. Pull rubber sleeves up to cover handle-to-frame connections.

Attach 750AT console assembly.

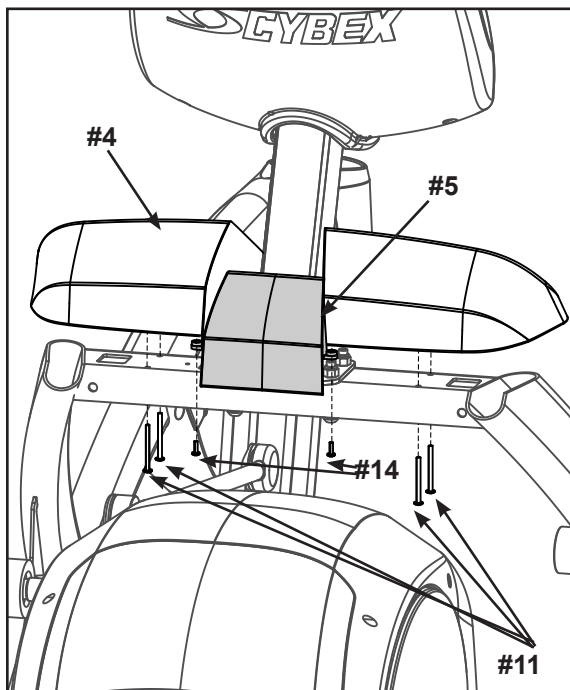
1. Locate the console assembly (#2a), four .375-16 nylon locknuts (#12) and four BHSCS .375-16 x 2.25 (#13).



2. Locate the upper display cable and plug into the lower display cable. Refer to the above diagram.
3. Locate the heart rate display cable and plug into heart rate board. Refer to the above diagram.
4. Locate the contact heart rate cable and plug into the heart rate board. Tighten cable strap. Refer to the above diagram.
5. Insert (from underneath) the four BHSCS .375-16 x 2.25 (#13). Hand thread the four .375-16 nylon locknuts (#12) in position. Refer to the above diagram
6. Confirm that no cables are pinched while lowering the console.
7. Hold the four BHSCS .375-16 x 2.25 (#13) with a 7/32" Allen wrench (#15) while tightening with a 9/16" open-end wrench to secure console. Refer to above diagram.

Attach main tray

1. Locate main tray (#4) and four tap SC 10-12 x 2.00 Type A PN HD PHIL (#11).
2. Place the main tray (#4) in the correct position on the main frame assembly and hand thread the four Tap SC 10-12 x 2.00 Type A PN HD PHIL (#11).



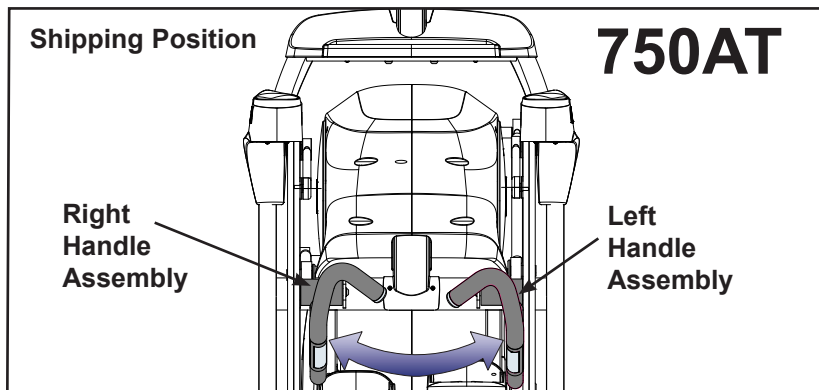
3. Using a Phillips screwdriver, securely fasten the four tap SC 10-12 x 2.00 Type A PN HD PHIL (#11).

Attach tray insert

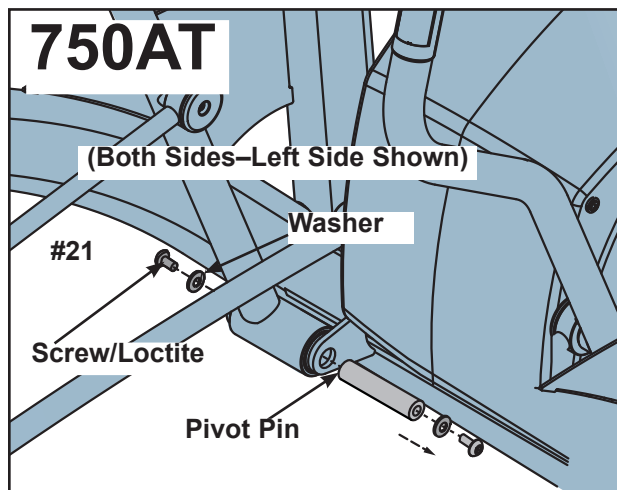
1. Locate tray insert (#5) and two Pan HD Phil Hd Self Tapping, 8-16 x .50 Type WB (#14).
2. Place the insert tray in the correct position on the main frame assembly and hand thread the two Pan HD Phil Hd Self Tapping, 8-16 x .50 Type WB (#14). Refer to the above diagram.
3. Using a Phillips screwdriver, securely fasten the two Pan HD Phil Hd Self Tapping, 8-16 x .50 Type WB (#14).

Remove left and right handle assembly

NOTE: The left and right handle assemblies are shipped in the reverse positions. The handle assemblies must be removed and swapped for proper setup and assembly.



1. Locate the screws and washers that secure each handle assembly to the main frame.

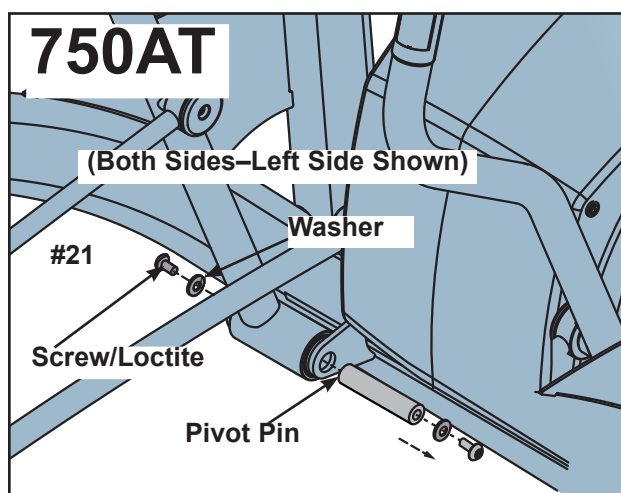


2. Using a 7/32" Allen wrench (#15), remove the screws and washers from the right handle assembly. Refer to the above diagram.
3. Verify right handle assembly is mounted on the left side. Refer to diagram at top of page.

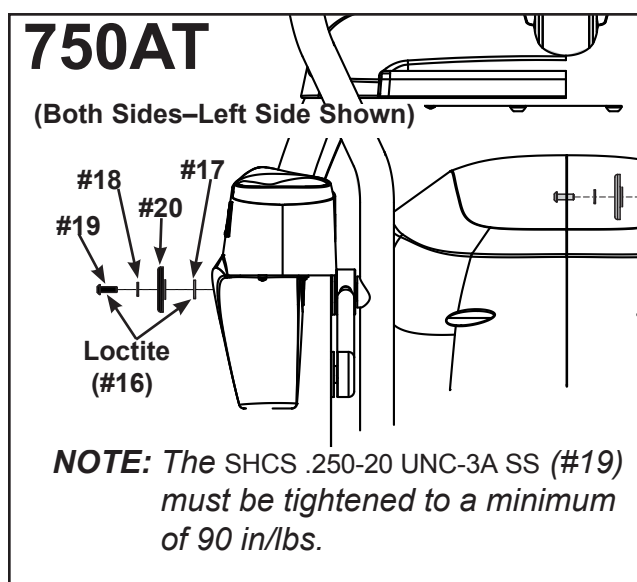
4. Slide pivot pin out, remove right handle assembly and set aside.
5. Using a 7/32" Allen wrench (#15), remove the screws and washers from the left handle assembly. Refer to the above diagram.
6. Verify left handle assembly is mounted on the right side.
7. Slide pivot pin out, remove left handle assembly and set aside.

Install the left handle assembly

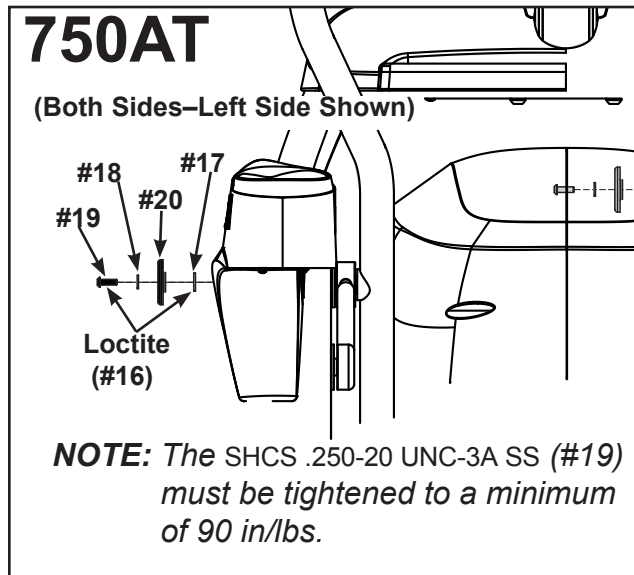
1. Position the left handle assembly in the correct position on the left side where the right handle assembly was removed in step 4 of **Remove left and right handle assembly** .



2. Apply loctite (#16) to threads inside the arm and both screws removed in step 2 of **Remove left and right handle assembly**.



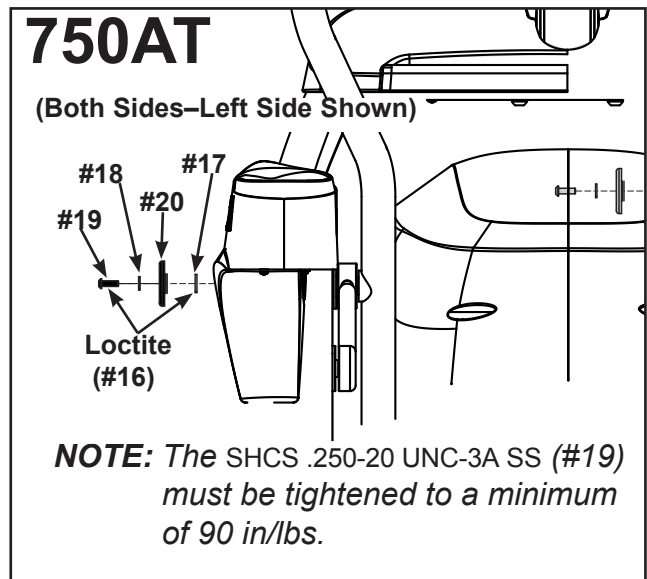
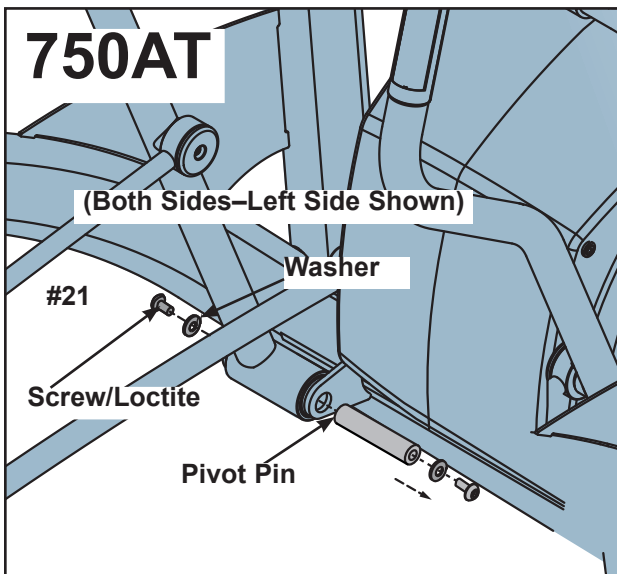
3. Place left handle assembly in position and slide pivot pin back in place. Refer to diagram under step one above.
4. Secure handle assembly with the screws and washers removed in step 2 of **Remove left and right handle assembly** . Refer to diagram under step one above.
5. Locate left linkage rod, left handle assembly, linkage rod cap 2.00 OD (#20), flange spacer (#17), SHCS .250-20 UNC-3A SS (#19), and flat washer .281 ID x .500 OD x .062 T (#18). Refer to diagram under step two above.
6. Place a drop of loctite (#16) on each SHCS .250-20 UNC-3A SS (#19) and another drop inside the shaft into which the SHCS (#19) will be tightened.
7. Using a 3/16" Allen wrench (#7), secure linkage rod to handle assembly with linkage rod cap 2.00 OD (#20), flange spacer (#17), SHCS .250-20 UNC-3A SS (#19) and flat washer, .281 ID x .500 OD x .062 T (#18).



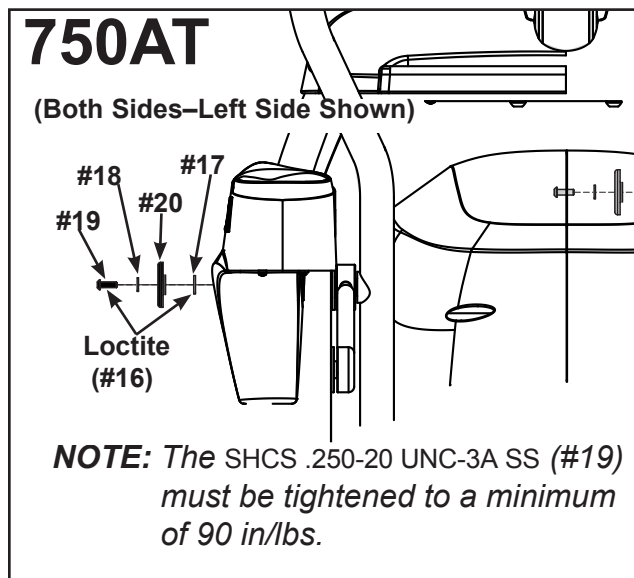
8. Verify the SHCS .250-20 UNC-3A SS (#19) are tightened to a minimum of 90 in/lbs.

Install right handle assembly

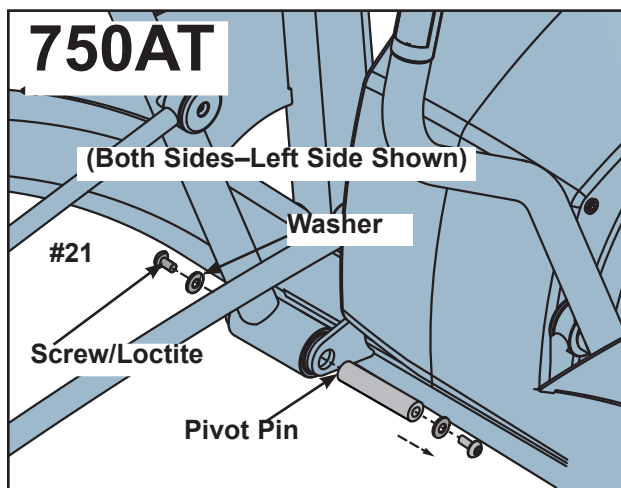
1. Position the right handle assembly in the correct position on the right side where the left handle assembly was removed in step 7 of **Remove left and right handle assembly**.



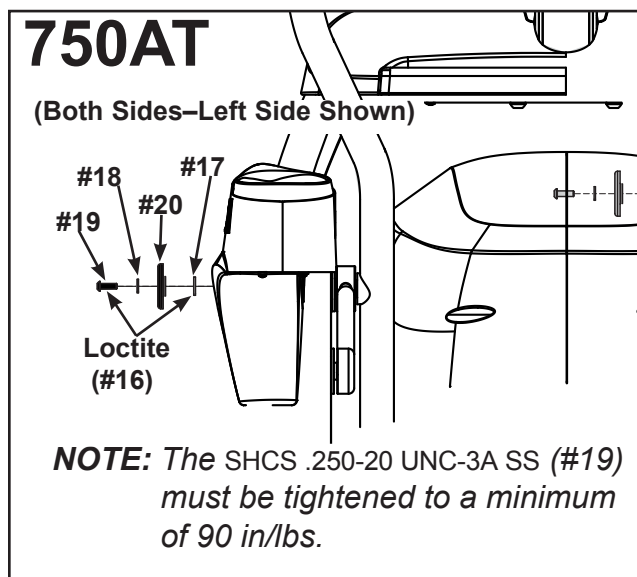
2. Apply loctite (#16) to threads inside the arm and screws removed in step two of **Remove left and right handles**.



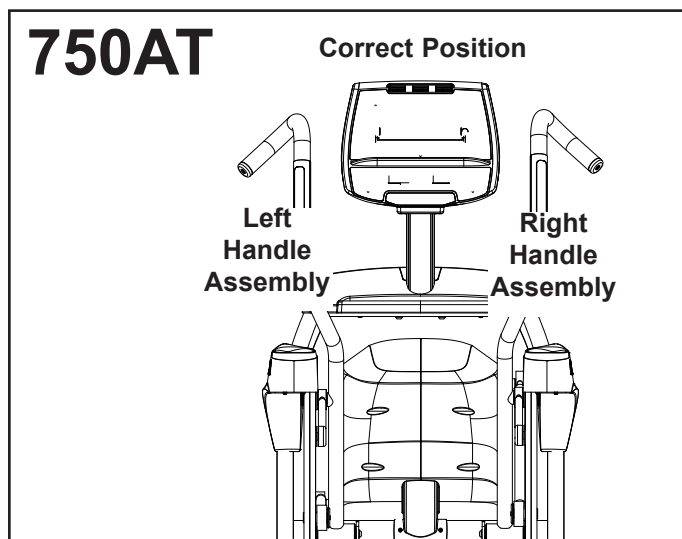
3. Place right handle assembly in position and slide pivot pin back in place.



4. Secure handle assembly with the screws and washers removed in step two of **Remove left and right handles**. Refer to the above diagram.
5. Locate right linkage rod, right handle assembly, linkage rod cap 2.00 OD (#20), flange spacer (#17), SHCS .250-20 UNC-3A SS (#19), and flat washer .281 ID x .500 OD x .062 T (#18). Refer to diagram at top of page.
6. Place a drop of threadlocker (#21) on each SHCS .250-20 UNC-3A SS (#19) and another drop inside the shaft into which the SHCS will be tightened.
7. Secure linkage rod to handle assembly with linkage rod cap 2.00 OD (#20), flange spacer (#17), SHCS .250-20 UNC-3A SS (#19) and flat washer .281 ID x .500 OD x .062 T (#18). **NOTE: The SHCS .250-20 UNC-3A SS (#19) must be tightened to a minimum of 90 in/lbs.**

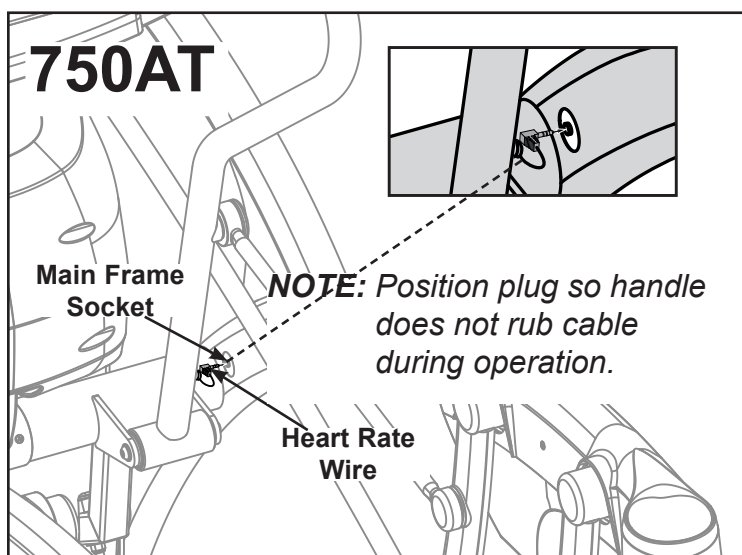


8. Verify handle assemblies are now installed in the correct position.



Connect 750AT contact heart rate cable

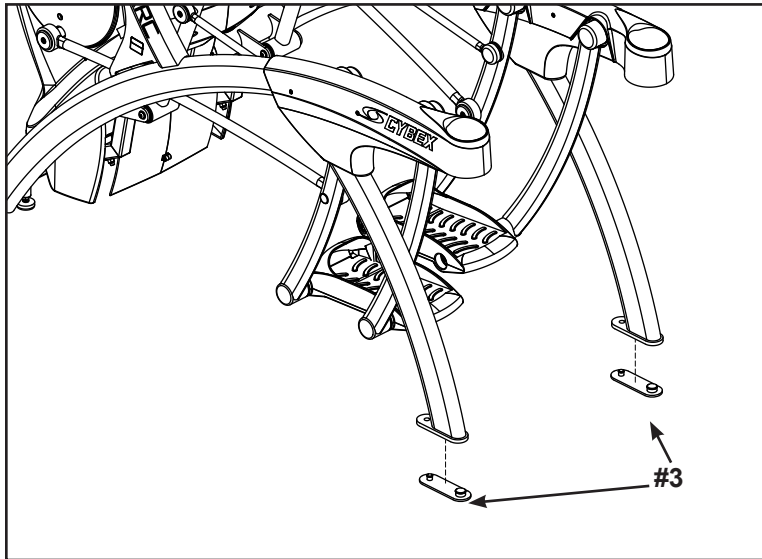
1. Locate contact heart rate cable exiting from the right handle assembly.



2. Plug right heart rate cable into main frame socket. Refer to the above diagram.

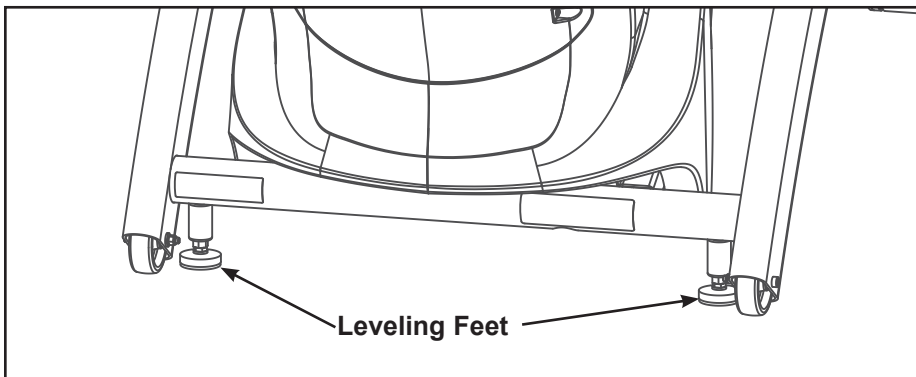
Attach foot pads

Have one person lift the unit while a second person places a foot pad (#3) under each of the two back feet.



Level unit

Confirm unit is on a level surface. If not, use a 9/16" open-end wrench to adjust the leveling feet up or down.



Visually inspect unit

1. Carefully remove any package material from arms and rest of unit.
2. Carefully examine the unit to ensure assembly is correct and complete.

Testing Operation

Use the following instructions to test the full resistance and incline range of the unit:

1. Plug the optional power cord into a power outlet from a grounded circuit. See **Electrical Requirements** in this chapter. **NOTE:** *Coil up the remainder of the power cord and place it out of the way.*
2. Verify the control panel will illuminate and is in *Dormant Mode* when using the optional power adapter.

NOTE: *If not using the optional AC power kit, the display will not illuminate until step 4.*

3. Hold the handrails to steady self while stepping into the foot plates.
4. Begin striding.
5. Verify lower heart rate cable is not rubbing on handle during operation.

Press the QUICK START key.

6. Run unit through full resistance range. First press the **RESISTANCE +** key until unit reaches its highest load (the display will show "100"). Then press the **RESISTANCE -** key until unit reaches its lowest load (the display will show "0").

NOTE: *When unit reaches the set incline and resistance, the displays will stop flashing and remain steadily illuminated to indicate the desired settings have been reached.*

7. Run unit through full incline range. First press the **INCLINE** key until the unit reaches its highest incline (the display will show "20"). Then press the **INCLINE** key until unit reaches its lowest incline (the display will show "0").



WARNING: *Wait until all moving parts come to a complete stop before dismounting.*

8. Press PAUSE/END twice to bring the incline back to its start position, end the workout review, and return the display to *Dormant Mode*.
9. Wait until foot plates come to a complete stop before dismounting unit. Hold handrails to steady self while stepping off unit.

Setup Screen

Setup is a separate control screen that allow the user to define multiple aspects of the unit's functions.

Set up can be opened from Dormant mode, Count Down, Lock and the CSAFE ID entry screens.

To open setup screen, press CLEAR, key sequence 7-5-0 and press ENTER.

Press ENTER to enter setup feature, allow changes and return to main menu. PAUSE/END can also be used to reset and exit to Dormant mode.

Press the RESISTANCE keys to scroll forward or backward in the setup menu.

Press CLEAR to reset back to default or previously stored value.

MENU		SET UP Options	
1 - Language		GERMAN SPANISH JAPANESE RUSSIAN	FRENCH ENGLISH SWEDISH
2 - Units		ENGLISH (LB/MPH) METRIC (KG/KPH)	
3 - Clock Style		12 HR US DATE 12 HR EURO DATE	24 HR EURO DATE 24 HR US DATE
4 - Current Time		12 HR US DATE 'HH:MM X MM/DD/YYYY' 24 HR EURO DATE 'HH:MM DD-MM-YYYY' 12 HR EURO DATE 'HH:MM X DD-MM-YYYY' 24 HR US DATE 'HH:MM MM/DD/YYYY' (Use keypad to enter values or toggle the LOAD CONTROL key)	
5 - Default Time	<i>Initial displayed choice for programs requiring a time setting.</i>	DEFLT TIME 10 DEFLT TIME 20 DEFLT TIME 30 (default)	DEFLT TIME 60 DEFLT TIME 90 NOTE: Choices are limited to range of MAX time.
6 - Review Time	<i>Summary of workout session totals. Can be seen as 1, 2 or 3 cycles</i>	SHORT – 1 SHORT – 2 SHORT – 3	LONG – 1 LONG – 2 LONG – 3
7 - Max Time	<i>Limit user's workout time</i>	MAX TIME = OFF MAX TIME = 20 MAX TIME = 30 MAX TIME = 40 MAX TIME = ZONED* (see below)	MAX TIME = 50 MAX TIME = 60 (default) MAX TIME = 90 MAX TIME = 120

Cybex Arc Trainer 750A/750AT Owner's Manual

8 - Pause Time	<i>Length of time unit paused during a workout and still re-start where user left off.</i>	PAUSE = OFF (factory setting) PAUSE = 01:00 PAUSE = 05:00 PAUSE = 10:00
9 - Sound		TONE = ON (factory setting) TONE = OFF
10 - Dormant Style	<i>Defines what is displayed in Dormant Mode</i>	0 – DEFAULT (default) 3 – CLOCK 1 – TEXT MSG 4 – PROFILES 2 – OUT OF ORDER
11 - Dormant Text**	<i>Text is entered via communications link.</i>	DORMANT MSG 1 DORMANT MSG 2 DORMANT MSG BOTH
12 - Active Mode Text on/off**	<i>Text is entered via communications link.</i>	WORKOUT MSG ON (or OFF)
13 - Lock Combination	<i>Requires correct entry of combination. Allows lock combination to be enabled and edited.</i> <i>Master factory code is 4300. Enter on first set up.</i>	ENTER OLD CODE (Key in 4-digit code) CODE _ _ _ _ ON (or OFF) ENTER will allow code to be seen. LOAD Control key toggles the lock on or off. Use keypad to enter new code. ENTER accepts new code.
14 - Custom Programs SAVE	<i>Gives user capability to create and store custom programs by enabling or disabling SAVE button during Review Mode.</i>	SAVE PROG ON (or OFF). (factory default is OFF)

***MAX TIME ZONED** If choice is ZONED, choose the actual time for each zone to start and maximum time setting.

HH:MM X is the actual time the zone starts, and YYY is the maximum time allowed during time zone.

Example:

Format	Factory Default
ZONE1 HH:MM X YYY	ZONE1 05:01A 60
ZONE2 HH:MM X YYY	ZONE2 09:01A OFF
ZONE3 HH:MM X YYY	ZONE3 04:01P 60
ZONE4 HH:MM X YYY	ZONE4 09:00P OFF

**For more information on editing Display and Active Mode text, visit www.cyboxintl.com/support/resources/750

Operation

Intended Use

Intended use of this exercise equipment is to aid or improve general physical fitness and exercise.

Terms Used

Active Mode – Any time the unit is controlling resistance and accumulating workout data. Active Mode begins after hitting QUICK START during the initial count-down screen, after completing the setup for a program, or by default if the initial count-down screen times out and enters QuickStart Manual mode.

Auto-Scan – Display automatically cycles through workout data.

Cool Down – A reduction of work load for a short duration allows user to gently reduce heart rate. Cool Down occurs two minutes prior to completion of the program-controlled workout sessions.

Count Down – The lower left INCLINE display shows a 5-0 count down. At the conclusion of the count down, unit goes into Active Mode.

Dormant Mode – Occurs when unit is plugged in with optional AC adaptor and not in use.


Manual Mode – The unit defaults to this mode if not in a program. Manual Mode allows the user to adjust the Resistance (0-100) and Incline (0-20). Time will count up in Quick Start Manual mode or count down to the chosen session time if desired by entering a TIME or selecting the MANUAL button and completing the setup.

Pause Mode – Occurs only if the Pause feature is enabled and user selects the PAUSE/END key from Active Mode.


Program Setup Mode – Begins after pressing PROGRAM, ADVANCED or MANUAL key. Upon entering a program, user is prompted to adjust the appropriate settings.

Quick Start – By default, the unit will end up in Quick Start Manual Mode if the user begins striding and allows the 5 second count-down to end. Also choose the QUICK START button to enter into Quick Start Manual Mode, where the user controls the Resistance and Incline as time counts up.

Workout Review – Review of the accumulated workout data will happen at the end of each workout session.

 Read and understand all warnings and cautions in the **Safety Section** and all operation instructions in this chapter before operating unit.

Mount and Dismount

 **WARNING:** Wait until all moving parts come to a complete stop and foot plates are in lowest position before mounting or dismounting.

To mount unit safely:

1. Verify unit is in *Dormant Mode* and foot plates are completely stopped.
2. Grasp handrail and step carefully onto foot plates.

To dismount unit safely:

1. Wait until foot plates come to a complete stop.
2. Grasp handrails for support and carefully step off back of unit.

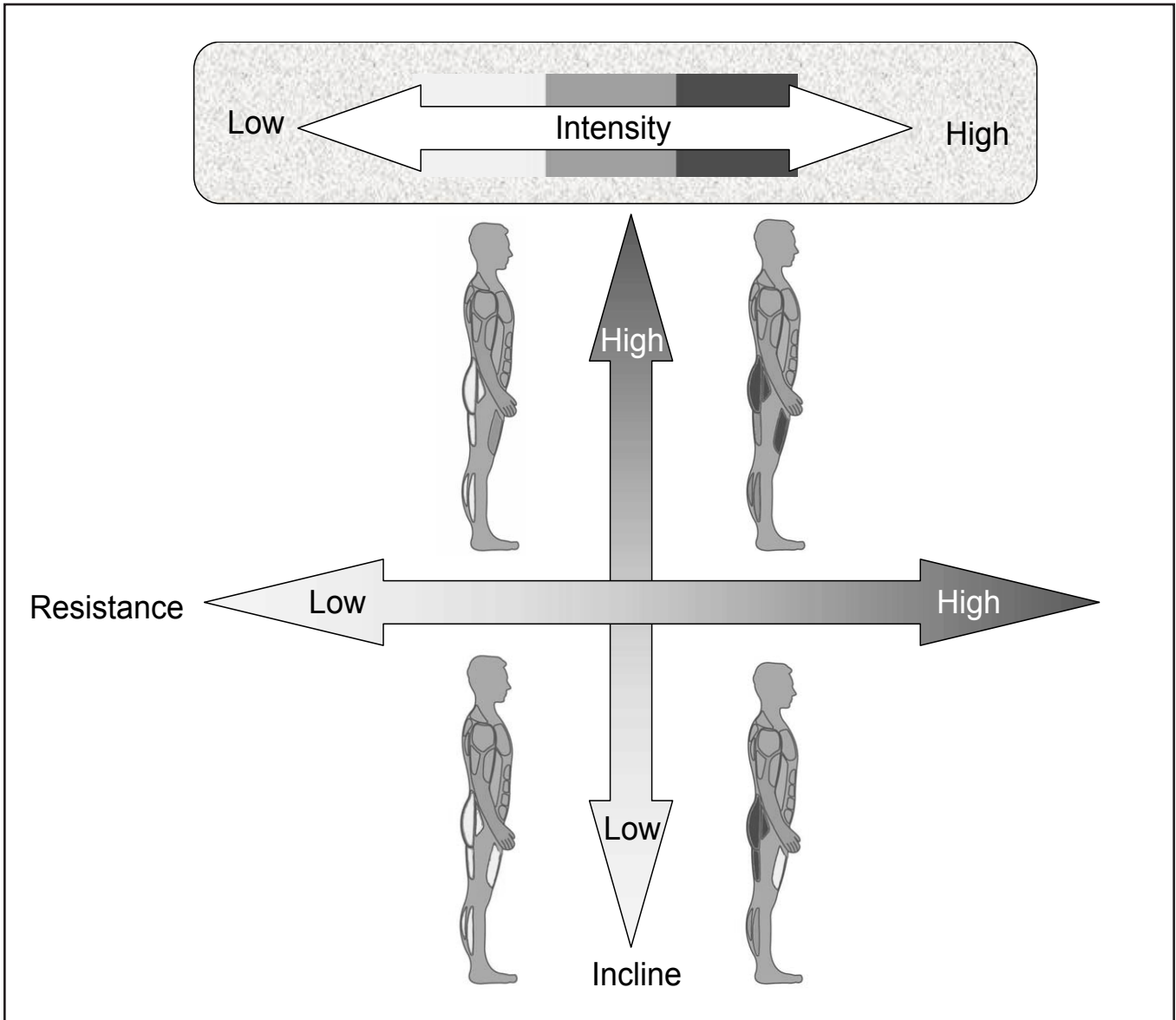
Emergency Dismount

If an emergency stop and dismount is required:

1. Grasp handrails for support.
2. Stop striding.
3. Wait until foot plates come to a complete stop.
4. Continue to hold handrails while carefully stepping off unit.

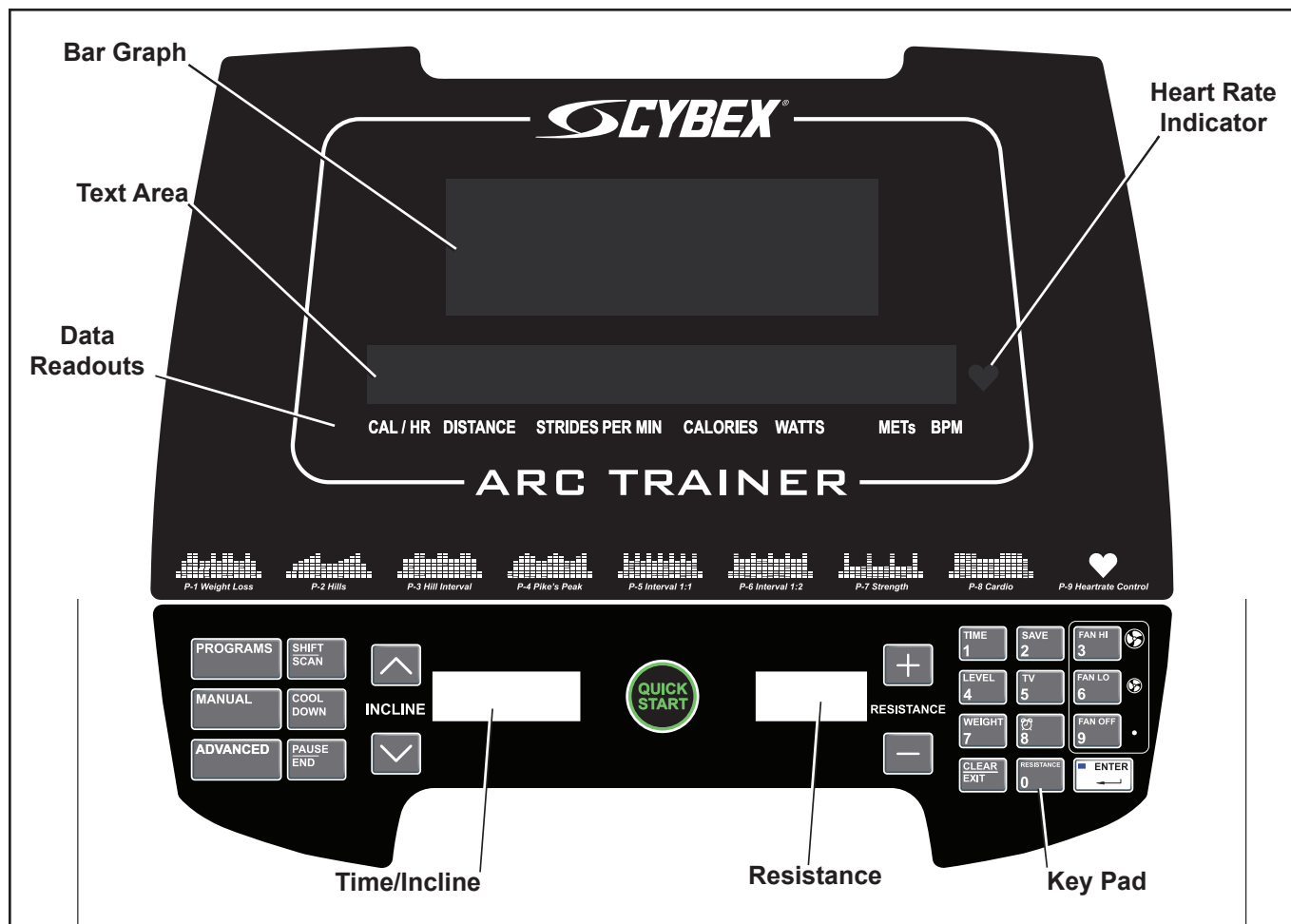
Range of Motion

The elevation is adjustable up or down in the shape of an arc. The lowest setting of 0 equates to an arc of 12 degrees, where the highest setting of 20 equates to an arc of 34.5 degrees. There is no difference in muscles used between different incline positions. Differences exist in the intensity of muscle activity.



Console Keys

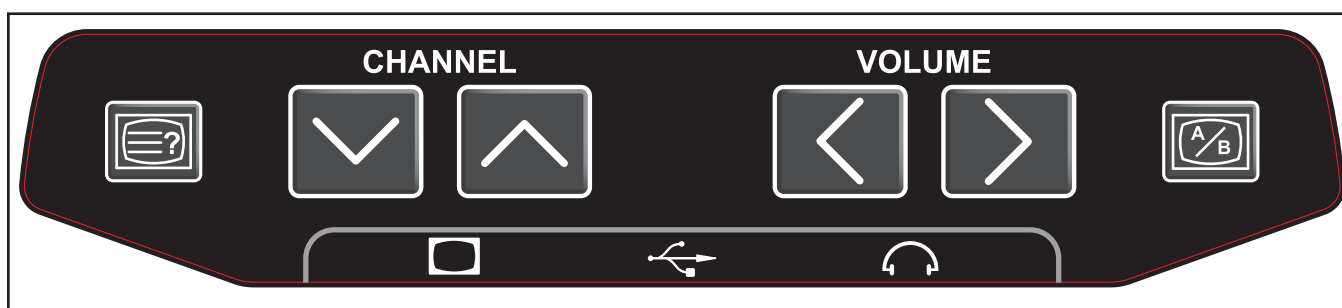
Control keys on the display are usable during operation and may be pressed at any time to make adjustments in resistance, incline, data readouts or fan speed.










Console Keys		Description
PROGRAMS	<i>Program Setup Mode</i>	Choose from nine programs or nine custom programs
MANUAL	<i>Manual Mode</i>	Go directly to <i>Manual Mode</i> set up
ADVANCED	Advanced Programs	Access Advanced Programs
SHIFT/SCAN	Auto-scan	Press to disable auto-scan and hold whatever is being displayed. If auto-scan is on, press to toggle the data display. If auto-scan is off, hold for three seconds to reactivate auto-scan.
COOL DOWN	<i>Cool Down Mode</i>	Initiates the two minute cool-down sequence

PAUSE/END	Stop	Exit <i>Active Mode</i> and go to <i>Pause Mode</i> if enabled. If <i>Pause Mode</i> is not enabled, work out ends and <i>Review Mode</i> is entered.
INCLINE \wedge V	Set incline	Toggle (\wedge V) to increase or decrease incline
QUICK START	<i>Quick Start Manual Mode</i>	Go directly to <i>Quick Start Manual Mode</i>
RESISTANCE + -	Adjust resistance	Toggle (+ -) to increase or decrease resistance
Keypad (Program Setup)		
TIME	Workout time	Adjust workout time
LEVEL	Workout level	Adjust program level (1-10)
WEIGHT	User's Weight	When pressed, number keypad is active to allow keying in body weight
CLEAR/EXIT	Multiple uses	Reset an entry, back out of a menu, exit the TV's EPG mode or reset workout data if in <i>Active Mode</i>
SAVE	Save program	Save recorded custom workout
TV	TV Channel	Allows keying in TV channels
ALARM CLOCK	Workout alarm clock	Activate or deactivate workout alarm clock
RESISTANCE	Choose resistance	Allows direct entry of resistance 0-100
FAN HI	High setting	Set fan to high setting
FAN LO	Low setting	Set fan to low setting
FAN OFF	Turn fan off	Default
ENTER	Accept any setting	Moves setup process forward

Audio Visual (AV) Key Pad - Optional



Console Key	Description
EPG 	If an Electronic Program Guide (EPG) is available, this will be displayed on the TV. Use the CHANNEL \wedge V and VOLUME < > keys to navigate in the EPG, ENTER to accept any selections, and CLEAR/EXIT to exit the <i>EPG mode</i> .

CHANNEL 	Toggle down or up to change channel (beeping will occur).
VOLUME 	Press appropriate keys to increase or decrease volume. There is no display interaction.
VIDEO SOURCE 	Press to toggle between video source A for cable channels and video source B for external inputs, such as an iPod® video.
VIDEO PORT 	Video capable port allows personal entertainment device or other composite video input.
USB PORT 	Universal Serial Bus (USB) allows different devices to be connected using a single standardized interface port for charging only.
HEADPHONE PORT 	Headphone port allows personal headphones.

Program Selection

There are nine different pre-programmed options from which to choose. Speed is never predetermined. Change speed by changing stride.

For a complete description and profile of each program (P1-P8) See Program Overview.

Program	Levels	Settings
P1 Weight Loss	10	Select time, level and weight.
P2 Hills	10	Select time, level and weight.
P3 Hill Interval	10	Select time, level and weight.
P4 Pike's Peak	10	Select time, level and weight.

P5 Interval 1:1	10	Select time, level and weight.
P6 Interval 1:2	10	Select time, level and weight.
P7 Strength	10	Select time, level and weight.
P8 Cardio	10	Select time, level and weight.
P9 Heart rate Control (HRC)	N/A	Select time, age, target heart rate and weight.

Navigation

The keypad is active during program setup to key in time, level and weight values. The **RESISTANCE + -** and **INCLINE \wedge \vee** keys are also active to adjust the displayed program value (up or down). Hold down key to accelerate rate of increments.

Press the **ENTER** key after each step to accept values entered and to move forward in the setup process.

The **QUICK START** key may be pressed at any time during this process to accept all program defaults. If no activity is performed after a program is selected, the unit will default to the settings of the current program selected.

Press the **CLEAR** key at anytime to go back to the start of the program list.

Programs P1 – P9 Setup

1. Press **PROGRAMS** key to cycle through program choices. Each press of the key will choose the next program in the list. The number keypad is active to accept a single-digit (1-9) for direct program access.
2. Select desired workout time when Text Area prompts "SET PROGRAM TIME XXX".
3. Select desired workout level when Text Area prompts "SELECT LEVEL 1-10"
4. **For P9 - HRC Program only:**
 - Using the number keypad, key in user's accurate age when Text Area prompts "ENTER YOUR AGE TO CALCULATE TARGET HEART RATE". Valid age range values are 13 - 113.
 - Adjust target heart rate when Text Area scrolls "75% = XXX BPM" and "TARGET BPM AT 75% = XXX BPM".

NOTE: Target heart rate is calculated at 75% of Max, where Max Heart rate is calculated at 220 minus the user's age. Adjust the Target HR up or down from the default 75% value presented or accept as is.
5. Using the number keypad, key in user's accurate weight when Text Area prompts "ENTER YOUR WEIGHT". Valid weight range is 50 - 400 lbs (23-181 kgs).

Manual and Quick Start Program Setup

NOTE: The Manual and Quick Start programs have no associated profile or level. Program and Level selection are not available.

Select **MANUAL** key and enter desired workout time and user's accurate weight.

Select **QUICK START** key to directly enter Active Mode. Program is similar to Manual Program without the option of a configured session time. Time counts up to Max Time.

Advanced Programs A1 – A2 Setup

Press **ADVANCED** key to cycle through program choices. Each press of the key will choose the next program in the list.

Program	Settings
A1 Constant Power	Select time, power level and weight.
A2 Power Training	Select time, level and weight.

A1 – Constant Power Setup

1. Press **ADVANCED** programs key.
2. Scroll to (or key in) #1.
3. Enter desired workout time.
4. Select power level when Text Area scrolls "SELECT POWER 50-900 WATTS". Valid range of Watts is 50-900 in increments of five.
5. Enter user's accurate weight.

A2 – Power Training Setup

1. Press **ADVANCED** programs key.
2. Scroll to (or key in) #2.
3. Enter desired workout time.
4. Enter desired Level (1-21).
5. Enter user's accurate weight.

Custom Programs

A maximum of nine custom programs can be created from any workout session. The unit automatically records incline and resistance; anticipating storing the workout as a custom program when completed.

Enable the SAVE function by first entering *Setup mode*. To enter *Setup mode*, key sequence **CLEAR, 7-5-0, ENTER** during the initial *Count Down mode*. Pressing the **CLEAR** key will halt the countdown to help facilitate keying in **7-5-0, ENTER** in sufficient time.

From the menu, use **+/-** keys to navigate to menu item SAVE PROGRAM and press **ENTER** to allow editing the feature.

NOTE: *If unit is equipped with an optional power supply, Set Up mode can also be entered during the Dormant mode.*

See **Assembly and Set Up** for more information on *Set Up mode*.

To save custom program

1. During *Review Mode*, press the SAVE key within the first five seconds. The text area will display "SAVE AS PROG 0X". X represents the next available slot (01-09).
2. Using the keypad, enter a number (01 to 09). The **+/-** keys are available to scroll through the nine custom program slots.
3. Press **ENTER** key to accept and store program.

If nine custom programs already exist, no slots are available; the text area will display "REPLACE PROG 0X name." The 0X represents the first custom program in the list. Use the keypad or **LEVEL** keys as described above to select program number.

To play back custom program

Press the Programs key and use the key pad to key in 01 – 09, then press ENTER key.

Note that these programs do not prompt the entry of level or time, as these are aspects that were saved as part of the program itself.

To delete a custom program

Custom programs require a minimum of one minute, anything less than one minute effectively erases the program location.

1. Start a workout session (such as Quick Start) and end before one minute has elapsed.
2. During *Review Mode*, press **SAVE** and choose the program slot to be deleted.
3. Press **ENTER**.

Data Readouts

As the user exercises, the unit keeps track of and displays the following data:

CAL / HR DISTANCE STRIDES PER MIN CALORIES WATTS METs BPM

Calories Per Hour (CAL/HR) – Calculation of present workload's energy exertion in Calories per Hour.

Distance – The total accumulated distance during workout. Depending on the defaults chosen, this measurement will show in English (miles) or Metric (kilometers). The unit uses a fixed 24" (61 cm) stroke, giving a travel distance of 48" (122 cm) per revolution.

Distance = Strides per Minute x 24" (61 cm) x Time

Strides per Minute – The average number of strides per minute at current speed.

Calories – The total accumulated calories burned during workout.

WATTS – Present workload energy exertion.

Metabolic Equivalent (METs) – Displayed only if no BPM signal is present. A MET is the metabolic equivalent of the energy expended by the human body at rest. Anything over one MET is considered exertion. METs are calculated by the display and updated every 1 – 1.2 seconds.

METs = Cal/Hr X 2.2 / User Weight

Beats Per Minute (BPM) – User's current heart rate. Heart rate will appear when a signal is introduced.

Heart Rate Indicator

 = 0-69  = 70-93  = 94-120  = 121-170  = 171 EN HC

Contact Heart Rate – Lightly hold hand grips on the handlebar ensuring that hands are clean and contact both the front and back sensors of each grip. A heart rate will display in typically 30 seconds or less.

Factors that interfere with heart rate signal:

- hand lotions
- oils or body powder
- excessive dirt
- excessive movement
- body composition

- hydration
- too loose grip
- too tight grip
- resting or leaning on grips

Wireless Display – To use this feature, a Polar® compatible heart rate transmitter belt (not included) must be worn.



Once the actual heart rate is determined, the LED to the right of the Text Area is blinking to the displayed BPM and the Heart LED lights up. The color of the light represents a scale of low to high target heart rate.

White	Valid BPM not yet available
Blue	0 – 69 BPM
Green	70 – 93 BPM
Yellow	94 – 119 BPM (Fat Burn Zone)
Blood Orange	120 – 169 (Cardio Zone)
Magenta	170 and higher

Fan Control

The fan defaults at the “OFF” setting. The user can change to “LO” or “HI” setting by pressing the appropriate control key. **NOTE:** User must be striding faster than 70 strides per minute for fan to operate.

Alarm Set

To set up an alarm to sound during workout:

1. Press key #8 on the keypad, also labeled with an alarm clock icon. Text Area will display "ALARM AT HH:MM Y". Initially, this display reflects actual time.
2. Use keypad to enter a direct time. Press the ENTER key after each entry to accept and move forward.

HH (Hour) **MM** (Minutes) **Y=A** (AM) or **P** (PM)

NOTE: The +/- **RESISTANCE** control keys are also active to scroll the blinking time value up or down. Hold down key to accelerate rate of increment.

Once alarm is set, the solid blue LED will light on the **ENTER** key. To cancel the alarm before it sound, press #8 ALARM key once.

Once alarm time occurs, the display will show "ALARM" and start beeping. Press the **CLEAR, ENTER** or **#8 ALARM** key to reset.

Battery Sentry

Battery Sentry uses display feedback (speed signal, key presses and heart rate) to determine user presence. If a user is not detected within 20 seconds, the display beeps and inquires "ARE YOU THERE?".

Resume striding, grab the contact heart rate grips or press any key within a pre-selected time to resume workout.

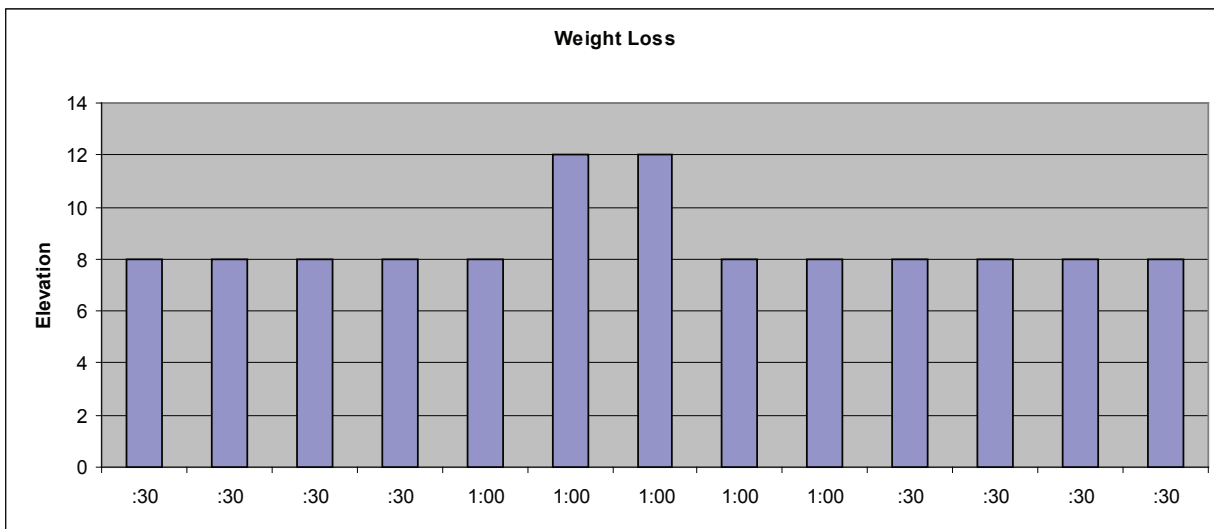
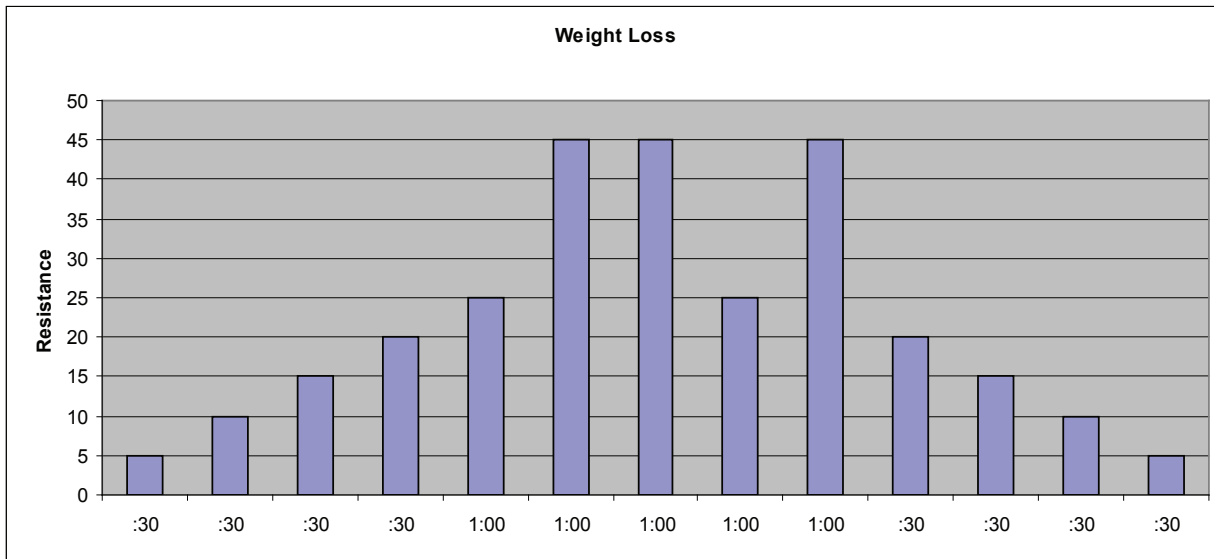
Program Overviews

P1 Weight Loss

The Weight Loss program is a five-minute core program designed for low to medium intensity training that the user can sustain for an extended period of time. It builds from a low intensity baseline to include short bursts of higher resistance while the elevation increases by fifty percent for two-minutes. The constant variety provides for periods of higher expenditure and training effect without the introduction of undue fatigue allowing the user to perform for longer periods of time. See table

Weight Loss														
Time	:30	:30	:30	:30	1:00	1:00	1:00	1:00	1:00	:30	:30	:30	:30	
Resistance	Warm Up				Program Segments					Cool Down				
	1	2	3	4	1	2	3	4	5	1	2	3	4	
10	5	10	15	20	25	45	45	25	45	20	15	10	5	
9	5	10	15	20	25	40	40	25	40	20	15	10	5	
8	5	10	15	20	25	35	35	25	35	20	15	10	5	
7	5	5	10	15	25	40	40	25	40	15	10	5	5	
6	5	5	10	15	25	35	35	25	35	15	10	5	5	
5	5	5	10	15	25	30	30	25	30	15	10	5	5	
4	5	5	5	10	15	25	25	15	25	10	5	10	8	
3	5	5	5	10	15	20	20	15	20	10	5	10	8	
2	5	5	5	5	5	15	15	5	15	5	4	3	3	
1	5	5	5	5	5	10	10	5	10	5	4	3	3	
Elevation	Warm Up				Program Segments					Cool Down				
	1	2	3	4	1	2	3	4	5	1	2	3	4	
10	8	8	8	8	8	12	12	8	8	8	8	8	8	
9	8	8	8	8	8	12	12	8	8	8	8	8	8	
8	6	6	6	6	6	12	12	6	6	6	6	6	6	
7	6	6	6	6	6	8	8	6	6	6	6	6	6	
6	6	6	6	6	6	8	8	6	6	6	6	6	6	
5	6	6	6	6	6	8	8	6	6	6	6	6	6	
4	4	4	4	4	4	6	6	4	4	4	4	4	4	
3	4	4	4	4	4	6	6	4	4	4	4	4	4	
2	4	4	4	4	4	6	6	4	4	4	4	4	4	
1	4	4	4	4	4	6	6	4	4	4	4	4	4	

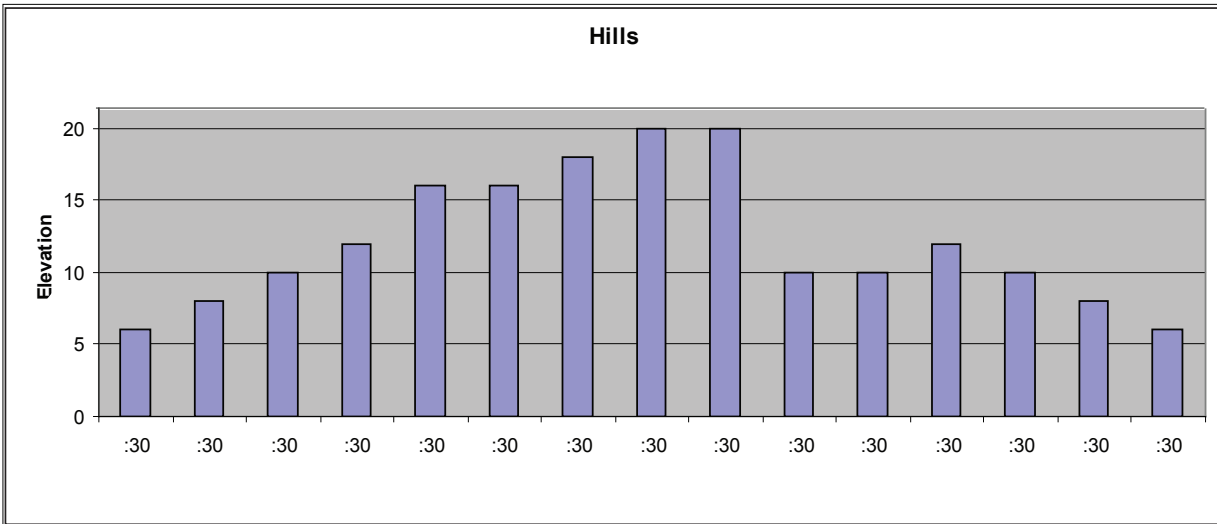
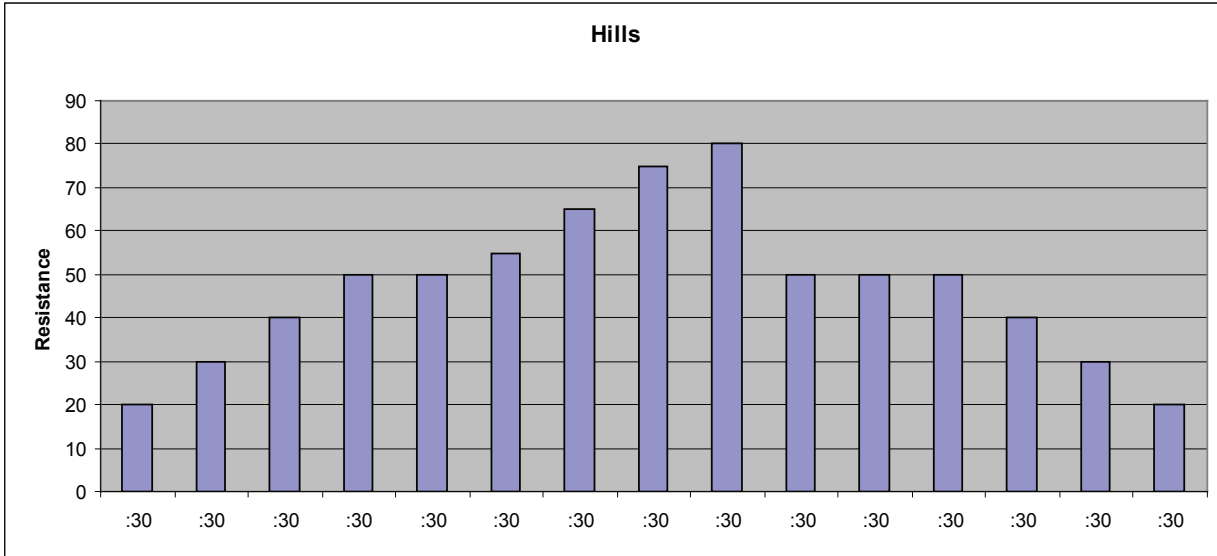
Cybex Arc Trainer 750A/750AT Owner's Manual



P2 Hills

The Hills program is a three-minute thirty-second core program designed to give the user an intense workout. Users will experience moderate resistance and elevation at the beginning to simulate the start of a climb and will crest at peak elevation gain and difficult resistance after two-minutes. The resistance then returns to the preliminary level and the core program repeats itself for the next hill. See table.

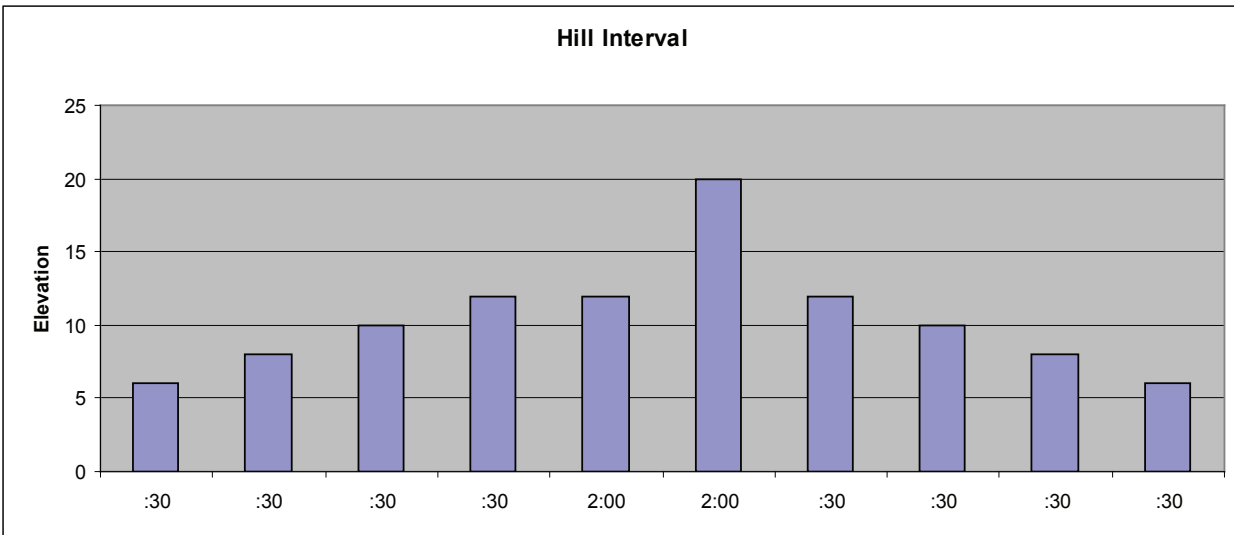
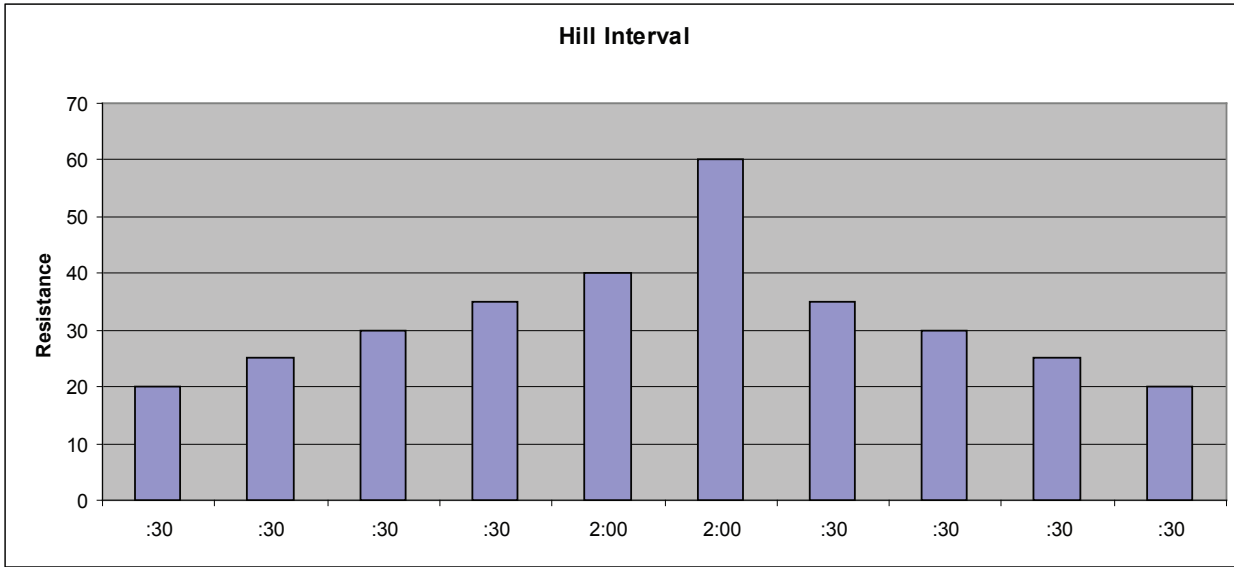
Hills															
Time	:30	:30	:30	:30	:30	:30	:30	:30	:30	:30	:30	:30	:30	:30	:30
Resistance	Warm Up				Program Segments							Cool Down			
	1	2	3	4	1	2	3	4	5	6	7	1	2	3	4
10	20	30	40	50	50	55	65	75	80	50	50	50	40	30	20
9	20	30	40	45	45	50	60	70	75	45	45	45	40	30	20
8	20	30	35	40	40	45	55	65	75	40	40	40	35	30	20
7	15	25	35	35	35	45	50	60	70	35	35	35	35	25	15
6	15	25	30	35	35	40	50	55	65	35	35	35	30	25	15
5	15	25	30	30	30	35	45	50	60	30	30	30	30	25	15
4	10	20	25	30	25	30	40	50	55	25	25	30	25	20	10
3	10	20	25	25	20	30	40	45	50	20	20	25	25	20	10
2	10	15	20	25	20	25	35	40	45	20	20	25	20	15	10
1	10	10	15	15	20	20	30	35	40	20	20	15	15	10	10
Elevation	Warm Up				Program Segments							Cool Down			
	1	2	3	4	1	2	3	4	5	6	7	1	2	3	4
10	6	8	10	12	16	16	18	20	20	10	10	12	10	8	6
9	6	6	8	10	14	16	16	18	20	10	10	10	8	6	6
8	6	6	8	8	14	14	16	18	18	10	10	8	8	6	6
7	6	6	8	8	12	14	14	16	18	10	10	8	8	6	6
6	6	6	6	8	12	12	14	16	16	10	10	8	6	6	6
5	6	6	6	6	10	12	12	14	16	10	10	6	6	6	6
4	4	4	4	6	10	10	12	14	14	10	10	6	4	4	4
3	4	4	4	6	8	10	10	12	14	10	10	6	4	4	4
2	4	4	4	4	8	8	10	12	12	10	10	4	4	4	4
1	4	4	4	4	6	8	8	10	12	10	10	4	4	4	4



P3 Hill Interval

The Hills program is a four-minute core program designed for medium intensity workouts. Users will experience intervals of moderate resistance and elevation at the beginning to simulate the start of a climb and greater resistance and steeper elevation after two-minutes. The resistance then returns to the preliminary level and the core program repeats itself for the next interval. See table.

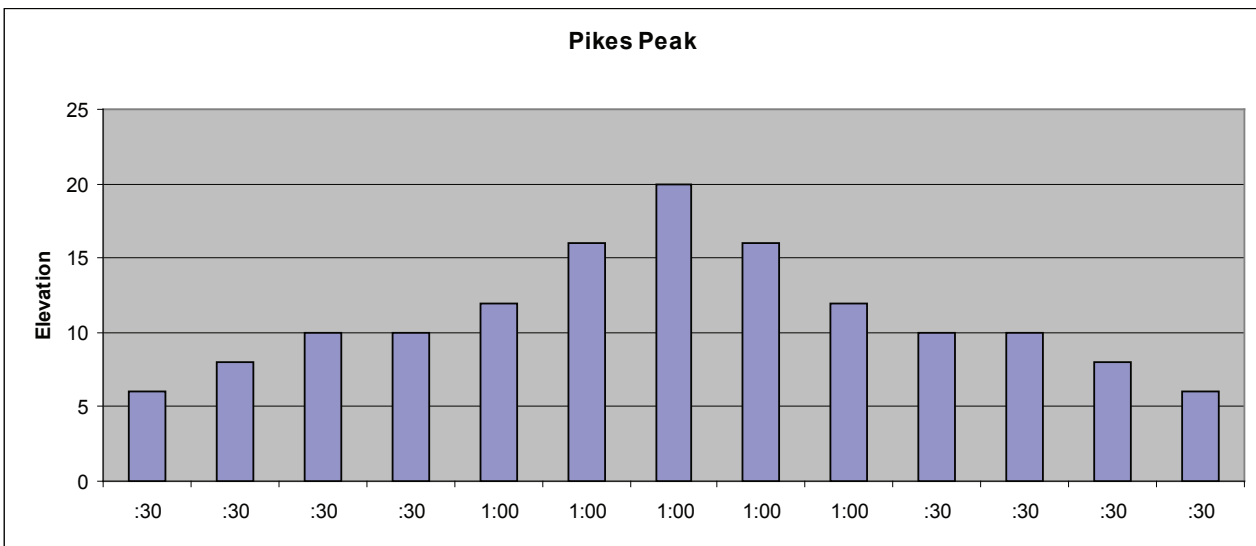
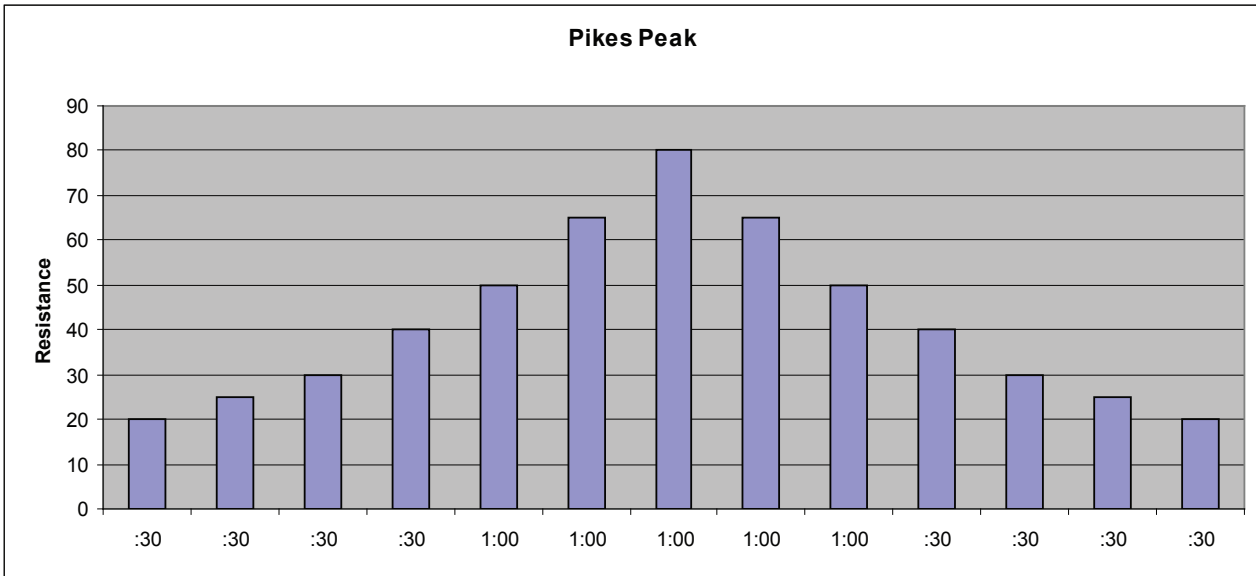
Hill Interval										
Time	:30	:30	:30	:30	2:00	2:00	:30	:30	:30	:30
	Warm Up				Program Segments		Cool Down			
Resistance	1	2	3	4	1	2	1	2	3	4
10	20	25	30	35	40	60	35	30	25	20
9	20	25	30	35	40	50	35	30	25	20
8	15	20	25	30	35	45	30	25	20	15
7	15	20	25	30	35	40	30	25	20	15
6	15	15	20	25	30	35	25	20	15	15
5	15	15	20	25	30	25	25	20	15	15
4	10	10	15	20	25	30	20	15	10	10
3	10	10	15	20	25	25	20	15	10	10
2	10	10	10	15	20	20	15	10	10	10
1	10	10	10	10	15	15	10	10	10	10
Elevation	1	2	3	4	1	2	1	2	3	4
10	6	8	10	12	12	20	12	10	8	6
9	6	6	8	10	10	20	10	8	6	6
8	6	6	8	10	10	18	10	8	6	6
7	6	6	6	8	8	18	8	6	6	6
6	6	6	6	8	8	16	8	6	6	6
5	6	6	6	6	6	16	6	6	6	6
4	6	6	6	6	6	14	6	6	6	6
3	4	4	6	6	6	14	6	6	4	4
2	4	4	6	6	6	12	6	6	4	4
1	4	4	6	6	6	12	6	6	4	4



P4 Pikes Peak

Pikes Peak is a five-minute core program that begins at a low intensity level and incrementally increases both resistance and elevation until peaking after three-minutes and remains at that level for one-minute before ramping back down to the initial level. The repetitive program is designed to encourage a transition in training intensity to encourage the development of aerobic and anaerobic energy systems.

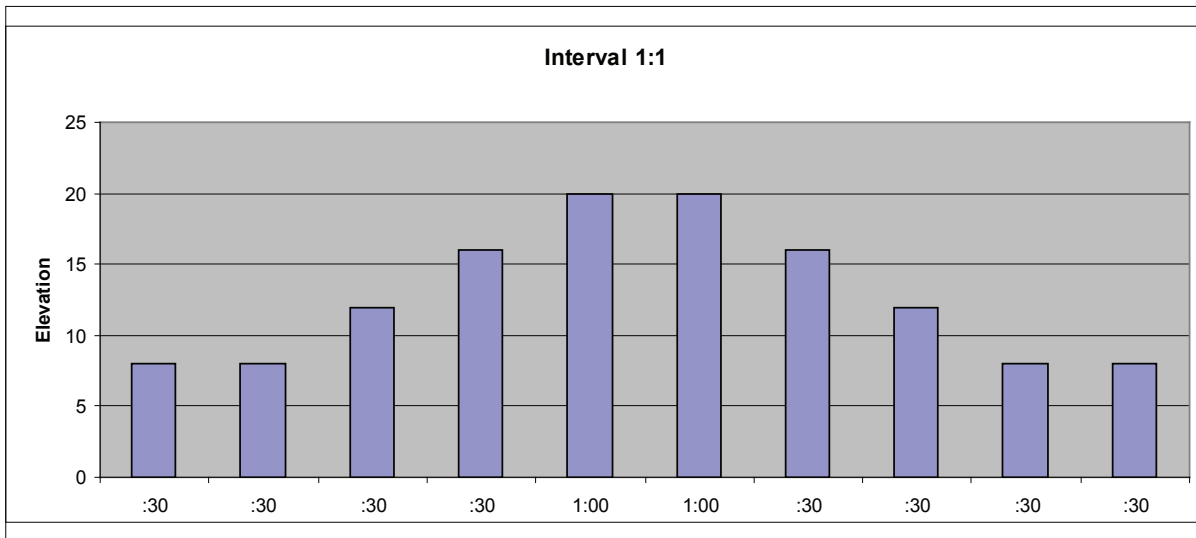
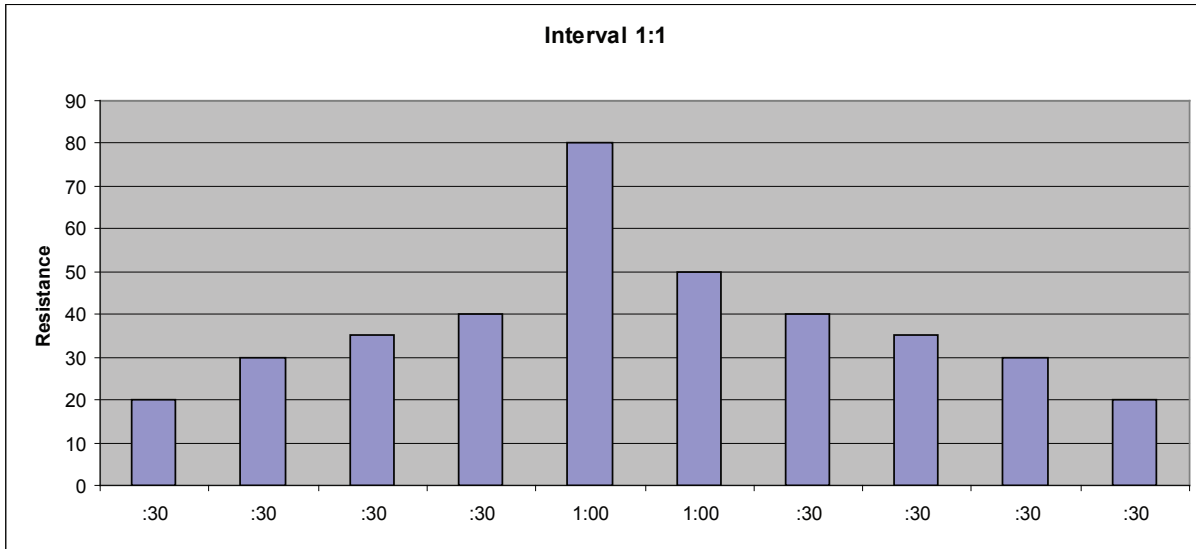
Pikes Peak														
Time	:30	:30	:30	:30	1:00	1:00	1:00	1:00	1:00	1:00	:30	:30	:30	:30
	Warm Up				Program Segments					Cool Down				
Resistance	1	2	3	4	1	2	3	4	5	1	2	3	4	
10	20	25	30	40	50	65	80	65	50	40	30	25	20	
9	20	25	30	35	50	60	75	60	50	35	30	25	20	
8	20	25	30	35	45	55	70	55	45	35	30	25	20	
7	15	20	25	35	45	50	65	50	45	35	25	20	15	
6	15	20	25	30	40	45	60	45	40	30	25	20	15	
5	10	15	20	20	40	40	55	40	40	20	20	15	10	
4	10	10	15	15	30	35	50	35	30	15	15	10	10	
3	5	10	10	15	30	30	45	30	30	15	10	10	5	
2	5	5	10	10	20	20	40	20	20	10	10	5	5	
1	5	5	10	10	15	20	35	20	15	10	10	5	5	
Elevation	1	2	3	4	1	2	3	4	5	1	2	3	4	
10	6	8	10	10	12	16	20	16	12	10	10	8	6	
9	6	8	10	10	11	15	19	15	11	10	10	8	6	
8	6	8	8	8	10	14	18	14	10	8	8	8	6	
7	6	6	8	8	9	13	17	13	9	8	8	6	6	
6	6	6	8	8	8	12	16	12	8	8	8	6	6	
5	6	6	8	8	7	11	14	11	7	8	8	6	6	
4	6	6	8	8	6	9	12	9	6	8	8	6	6	
3	6	6	8	8	5	8	10	8	5	8	8	6	6	
2	6	6	8	8	4	6	8	6	4	8	8	6	6	
1	6	6	8	8	3	5	6	5	3	8	8	6	6	



P5 Interval 1:1

The Interval 1:1 program is a two-minute core program utilizing a 1:1 work to rest ratio. It is designed to improve both aerobic and anaerobic capabilities as users will face a high level of resistance for one minute followed by a one-minute recuperation period before performing the work interval again. The elevation remains constant throughout the program. See table.

Interval 1:1										
Time	:30	:30	:30	:30	1:00	1:00	:30	:30	:30	:30
	Warm Up				Program Segments		Cool Down			
Resistance	1	2	3	4	1	2	1	2	3	4
10	20	30	35	40	80	50	40	35	30	20
9	15	25	30	35	75	50	35	30	25	15
8	15	20	25	30	75	45	30	25	20	15
7	10	20	25	30	70	45	30	25	20	10
6	10	20	25	30	70	40	30	25	20	10
5	10	15	20	25	65	40	25	20	15	10
4	15	20	20	25	65	35	25	20	20	15
3	10	10	15	20	60	35	20	15	10	10
2	5	10	15	20	60	30	20	15	10	5
1	5	10	15	15	55	30	15	15	10	5
	Warm Up				Program Segments		Cool Down			
Elevation	1	2	3	4	1	2	1	2	3	4
10	8	8	12	16	20	20	16	12	8	8
9	8	8	12	16	20	20	16	12	8	8
8	8	8	12	12	16	16	12	12	8	8
7	8	8	12	12	16	16	12	12	8	8
6	8	8	12	12	16	16	12	12	8	8
5	8	8	8	12	12	12	12	8	8	8
4	8	8	8	8	12	12	8	8	8	8
3	8	8	8	8	12	12	8	8	8	8
2	8	8	8	8	8	8	8	8	8	8
1	8	8	8	8	8	8	8	8	8	8

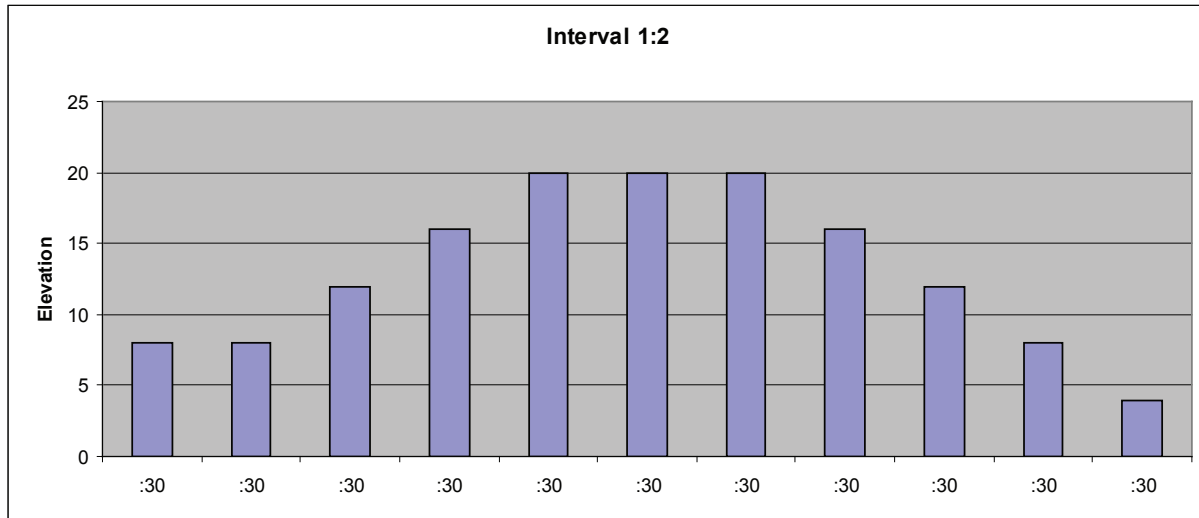
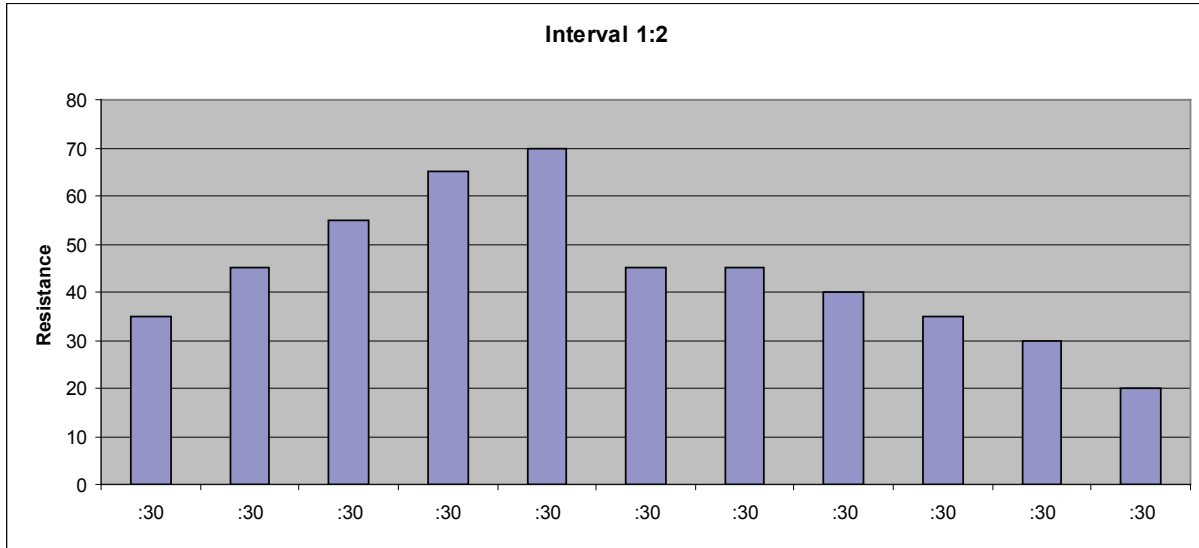


P6 Interval 1:2

The Interval 1:2 program uses a 1:2 work to rest ratio. It is designed for high resistance training with longer rest periods than the 1:1 program. Users will face a high level of resistance for thirty-seconds followed by a one minute recuperation period before performing the interval again. The elevation remains constant throughout the program.

Interval 1:2											
				Repeat							
Time	:30	:30	:30	:30	:30	:30	:30	:30	:30	:30	:30
Resistance	Warm Up				Program Segments			Cool Down			
	1	2	3	4	1	2	3	1	2	3	4
10	35	45	55	65	70	45	45	40	35	30	20
9	35	40	50	60	65	40	40	35	30	25	15
8	30	40	50	55	60	35	35	30	25	20	15
7	30	35	45	50	55	30	30	30	25	20	10
6	25	35	40	45	50	30	30	30	25	20	10
5	25	30	35	40	45	25	25	25	20	15	10
4	20	25	30	35	40	25	25	25	20	15	10
3	20	25	30	30	35	20	20	20	15	10	10
2	15	20	25	30	30	20	20	20	15	10	5
1	10	15	20	20	25	15	15	15	15	10	5
Elevation	Warm Up				Program Segments			Cool Down			
	1	2	3	4	1	2	3	1	2	3	4
10	8	8	12	16	20	20	20	16	12	8	4
9	8	8	12	16	20	20	20	16	12	8	4
8	8	8	12	12	16	16	16	12	12	8	4
7	8	8	12	12	16	16	16	12	12	8	4
6	8	8	12	12	16	16	16	12	12	8	4
5	8	8	8	12	12	12	12	12	8	8	4
4	8	8	8	8	12	12	12	8	8	8	4
3	8	8	8	8	12	12	12	8	8	8	4
2	8	8	8	8	8	8	8	8	8	8	4
1	8	8	8	8	8	8	8	8	8	8	4

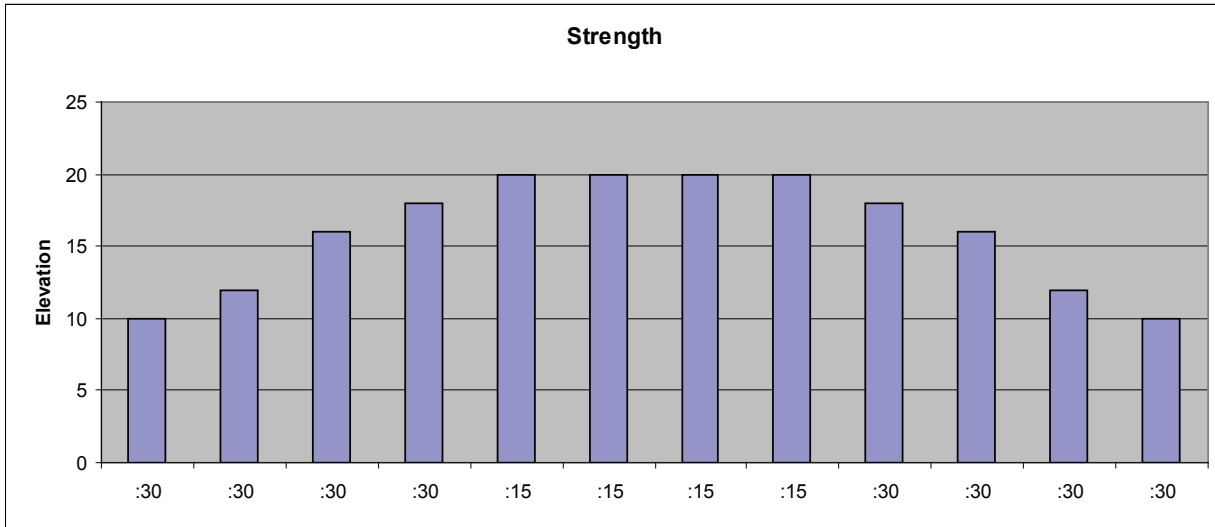
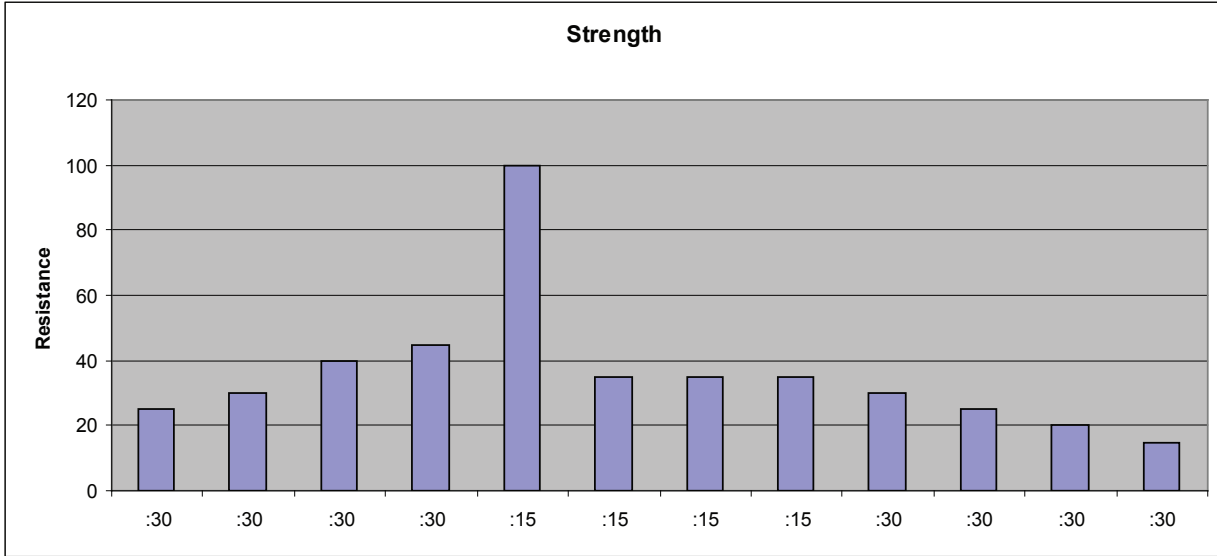
Cybex Arc Trainer 750A/750AT Owner's Manual



P7 Strength

The Strength program is designed with the specific goal of raising the users' lactic acid threshold. The program uses a 1:3 work to rest ratio with fifteen-second intervals for maximum power development and forty-five second rest periods for recuperation. See table.

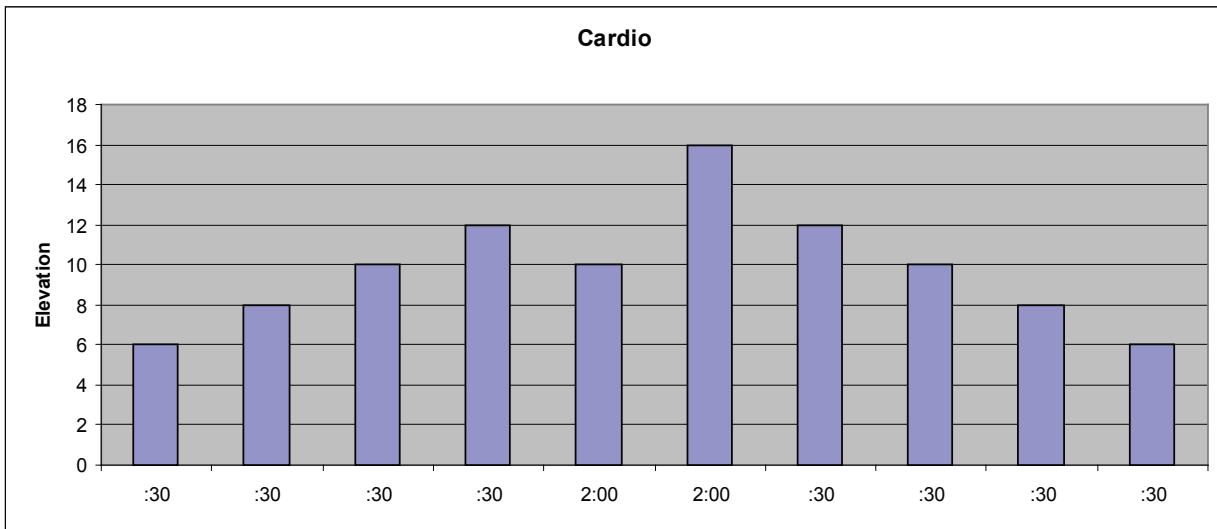
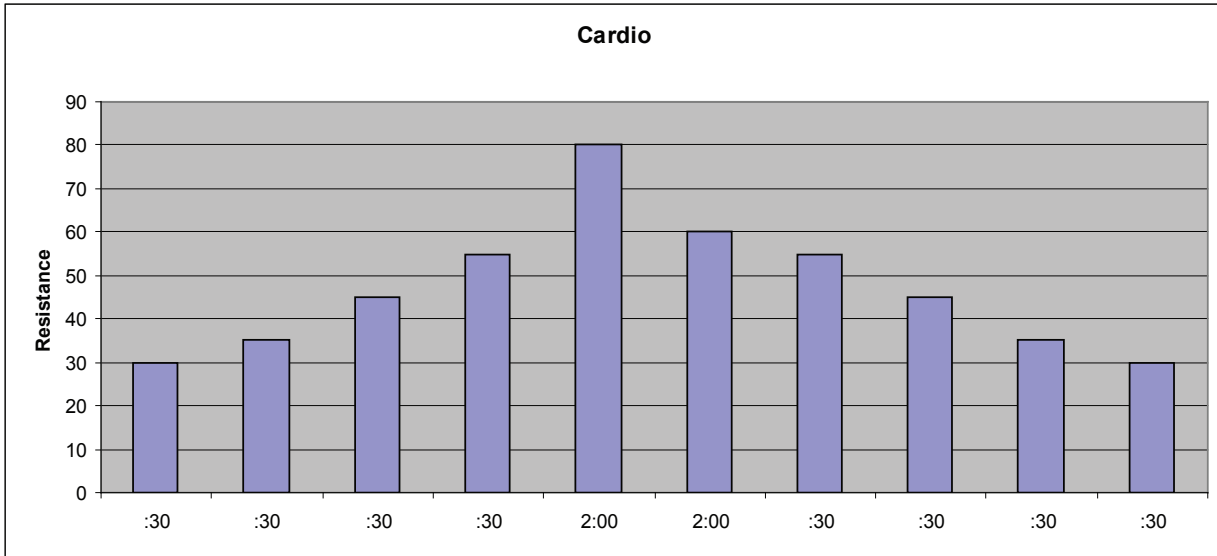
Strength													
Time	:30	:30	:30	:30	:15	:15	:15	:15	:30	:30	:30	:30	
Resistance	Warm Up				Program Segments				Cool Down				
	1	2	3	4	1	2	3	4	1	2	3	4	
10	25	30	40	45	100	35	35	35	30	25	20	15	
9	25	30	35	40	95	35	35	35	30	25	20	15	
8	25	30	35	40	90	35	35	35	30	25	20	15	
7	25	30	35	40	85	30	30	30	25	20	20	15	
6	20	25	30	35	80	30	30	30	25	20	20	15	
5	20	25	30	35	75	30	30	30	25	20	15	10	
4	20	25	30	35	70	25	25	25	20	20	0	0	
3	20	20	25	30	65	25	25	25	20	20	0	0	
2	15	20	25	30	60	20	20	20	15	0	10	5	
1	15	15	20	25	55	20	20	20	15	0	10	5	
Elevation	Warm Up				Program Segments				Cool Down				
	1	2	3	4	1	2	3	4	1	2	3	4	
10	10	12	16	18	20	20	20	20	18	16	12	10	
9	10	12	16	18	20	20	20	20	18	16	12	10	
8	10	12	14	16	18	18	18	18	16	14	12	10	
7	10	12	14	16	18	18	18	18	16	14	12	10	
6	10	12	14	16	18	18	18	18	16	14	12	10	
5	8	10	12	14	16	16	16	16	14	12	10	8	
4	8	10	12	14	16	16	16	16	14	12	10	8	
3	8	10	12	14	16	16	16	16	14	12	10	8	
2	6	8	10	12	14	14	14	14	12	10	8	6	
1	6	8	10	12	14	14	14	14	12	10	8	6	



P8 Cardio

The Cardio program is designed to maintain a high total demand with two-minutes with high resistance and low elevation and two minutes at medium resistance with higher elevation for a total four-minute core program. The prolonged exertion period takes advantage of the long term energy stores and total aerobic capability when associated with speeds that require a high sustained cardiovascular demand. See table.

Cardio											
Time	:30	:30	:30	:30	2:00	2:00	:30	:30	:30	:30	
	Warm Up				Program Segments		Cool Down				
Resistance	1	2	3	4	1	2	1	2	3	4	
10	30	35	45	55	80	60	55	45	35	30	
9	25	35	45	55	75	55	55	45	35	25	
8	25	30	40	45	70	50	45	40	30	25	
7	20	25	35	40	65	45	40	35	25	20	
6	15	20	30	35	60	40	35	30	20	15	
5	15	20	25	30	55	35	30	25	20	15	
4	10	15	20	25	50	30	25	20	15	10	
3	5	10	15	20	45	30	20	15	10	5	
2	0	5	10	15	40	25	15	10	5	0	
1	0	0	5	10	35	20	10	5	0	0	
Elevation	Warm Up				Program Segments		Cool Down				
	1	2	3	4	1	2	1	2	3	4	
10	6	8	10	12	10	16	12	10	8	6	
9	6	6	8	10	10	16	10	8	6	6	
8	6	6	8	8	10	14	8	8	6	6	
7	6	6	8	8	8	14	8	8	6	6	
6	6	6	6	8	8	12	8	6	6	6	
5	6	6	6	6	8	12	6	6	6	6	
4	4	4	4	6	6	10	6	4	4	4	
3	4	4	4	6	6	10	6	4	4	4	
2	4	4	4	4	4	8	4	4	4	4	
1	4	4	4	4	4	8	4	4	4	4	



Preventive Maintenance

Warnings

 Read all warnings in this chapter and in the **Safety Section**.

Observe the following warnings and cautions:

- All maintenance activities shall be performed by qualified personnel. Failure to do so could result in serious injury.
- To prevent electrical shock, verify unit is unplugged from the electrical outlet before performing any cleaning or maintenance procedures. **NOTE:** *A charge can remain after unplugging the power cord.*
- Keep wet items away from inside parts of unit.
- Performance level of equipment can be maintained only if it is examined regularly for damage and wear. **NOTE:** *Pay special attention to components most susceptible to wear.*
- Replace worn or damaged components immediately and/or keep the equipment out of use until repair is completed.

Cleaning Unit

1. Spray a clean cloth with a mild cleaning agent, such as a water and dish soap solution.
2. Wipe unit.

NOTE: *Do not spray cleaning solution directly on unit. Direct spraying could cause damage to electronics and may void warranty.*

After Each Use:

- Wipe up any liquid spills immediately.
- Wipe up any remaining perspiration from handles and painted surfaces.
- Be careful not to spill or get excessive moisture on the console and display overlays, as this might create an electrical hazard or cause failure of the electronics.
- Clean heart rate grips using a cloth dampened with a cleaning solution containing alcohol.

NOTE: *The heart rate grips are the only part of the unit where a cleaning solution containing alcohol should be used.*

Preventive Maintenance Activities

Perform regular preventive maintenance to ensure normal operation of unit. Keep a log of all maintenance actions to assist in staying current with all preventive maintenance activities.

NOTE: Cybex is not responsible for performing regular inspection and maintenance actions of this unit. Instruct all personnel in equipment, inspection and maintenance. Require all personnel to report and record all accidents.



Read and understand warnings listed in this chapter and in the **Safety Section**. Read and understand all instructions in this section.

During maintenance, disconnect the external power source. If unit has the optional AC Power Kit, unplug the power cord from the power outlet.

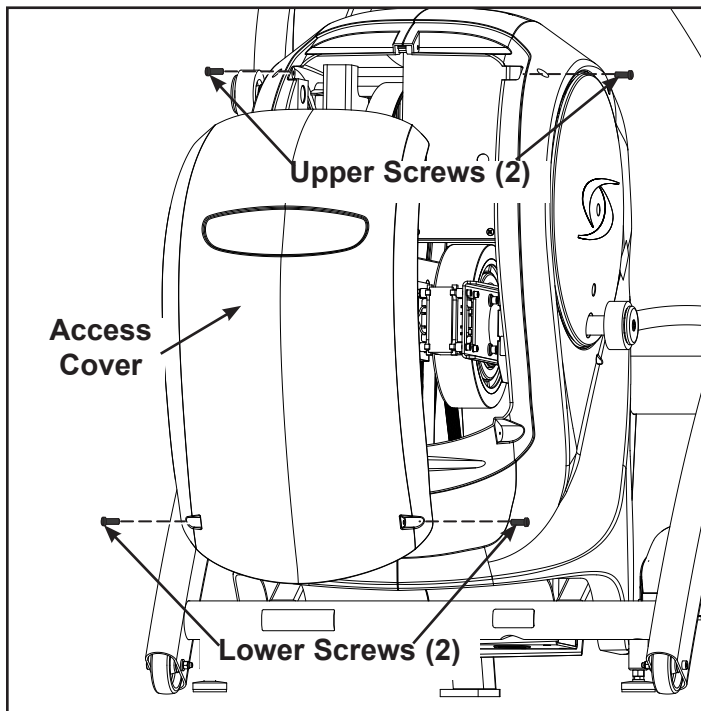
For some maintenance activities it will be necessary to remove and replace the access cover.

Tool Required

Phillips screwdriver

Remove Access Cover

1. Using a Phillips screwdriver, remove the two lower screws securing the access cover.



2. Using a Phillips screwdriver, remove two upper screws securing the access cover. Refer to the above diagram.
3. Remove the access cover.

WARNING: The flywheel may be hot. Wait until it cools before servicing.

Attach Access Cover

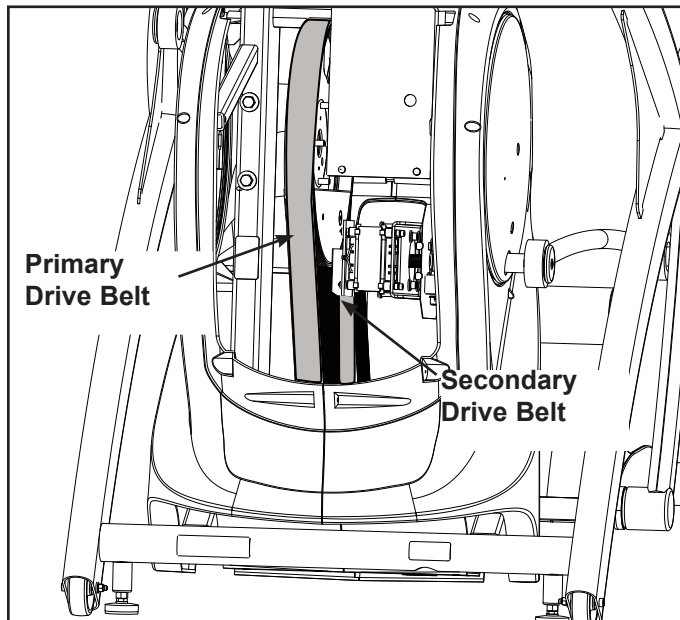
NOTE: Do not over tighten screws.

1. Using a Phillips screwdriver, replace and tighten the two upper screws removed in step 2 **Remove Access Cover**.
2. Using a Phillips screwdriver, replace and tighten the two lower screws removed in step 1 **Remove Access Cover**.
3. Test unit for proper operation.

Drive Belts

There are two drive belts that may become loose, worn or cracked.

Unless the belts have been removed and not replaced properly, it is unlikely the belts will come loose or need to be re-tensioned.



NOTE: If a belt has cracks or appears worn, it must be replaced immediately by a qualified service technician.

Primary Belt – The wider of the two belts. It has grooves that keep it aligned on the large upper pulley.

Secondary Belt – The narrower of the two belts. It has gooves that keep it aligned on the flywheel's drive pulley.

Recommended Service Schedule

To determine mileage start striding:

During initial countdown, press **CLEAR**, key in **9-9-9** and press **ENTER**. The first menu item is ODOMETER.

Press **ENTER** to view accumulated distance.

First 500 Miles (800 KM)

Follow this procedure to ensure the belts are tensioned properly and in good condition.

1. Remove access cover. (See previous procedure **Remove Access Cover**)
2. Pull down and roll each belt to examine the condition. If a belt has cracks or appears worn, it must be replaced immediately by a qualified service technician.
3. Attach access cover. (See previous procedure **Attach Access Cover**)

Every 5000 Miles (8000 KM)

Check drive belts for tension and wear. (See procedure First 500 Miles)

Move unit and vacuum underneath. Lift the rear of unit and roll it back from its present position. Vacuum underneath and return unit to normal position.

Clean inside unit.

1. Remove access cover. (See previous procedure **Remove Access Cover**)
2. Using a vacuum cleaner attachment or hand vacuum, clean the exposed components.
3. Remove dirt and debris from internal components.
4. Using a *dry* cloth, wipe all exposed areas.
5. Attach access cover. (See procedure **Attach Access Cover**)

Every 20,000 Miles (32000 KM)

Contact qualified service technician to check elevation assembly, replace any worn parts and lubricate elevation bushings.

Statistics

The Statistics screen allows tracking of equipment usage.

Open Statistics screen from *Count Down, Lock, CSAFE ID Entry or Dormant Modes*

Press **Clear**, key in **9-9-9** and press **ENTER**.

Data features can also be accessed from the CSAFE port.

Use the **ENTER** key to advance to next screen.

Use the **RESISTANCE** keys to scroll forward or backward in the menu.

Statistics Menu	Display	
ST1 – ODOMETER	KM XXXX.X or MI XXXX.X	0.0 – 999,999.9 (X=total accumulated miles or KM)
ST2 – HOURS	HOURS XXXXXX	0 – 99999 (X=total user session time)
ST3 – STARTS	STARTS XXXXXX	0 – 999,999 (X=total number of user sessions)
ST4 – MOVES	MOVES XXXXXX	0 – 9,999,999 (X=number of incline moves in 1% increments)
ST5 – BATTERY	BATTERY XXXXXX	0 – 999,999 (X=total whole minutes the battery has been used)
ST6 – ERRORS	X ERR X HH:MM M-DD-YY	Tracks error codes in a rolling log of 20 entries, each stamped with time and date
ST7 – PROGRAM USAGE	PR Y XXXXXX	Y= program number XXXXXX=number of times program was chosen, set completed and unit entered active mode.

Clear data by holding **Pause/End** key for three seconds, listen for double beep, and press **CLEAR**.

Error Codes

When an error has occurred, "ERROR #" will appear on the text display alternating with the message "OUT OF ORDER."

NOTE: Log number will show in the Incline Display as L-01 through L-20.

Press **CLEAR** button and hold to clear all errors in log. The display reads "NO ERRORS" when log is empty.

Press enter to exit out.

NOTE: See contact information in **Customer Service** for all maintenance and service activities.

Incline and low battery errors are as follows:

Error Number	Cause	Display	Reset/Remedy
24: Incline moving too slowly	Incline is commanded to move, yet the change in feedback is slower than the minimum allowed.	None, stored error only	<ul style="list-style-type: none"> Inspect and lubricate the lead screw. Re-calibrate the incline. Measure the incline potentiometer output. The potentiometer could be 'bad'. Replace the battery.
25: Incline movement feedback stopped	Incline is commanded to move yet the feedback indicates the value is not changing or ceases to change as expected.	Dashes shown in incline window.	Display attempts to re-calibrate incline position on entry to <i>Dormant Mode</i> .
26: Incline disabled	Incline feedback problems could not be remedied by re-calibrating after an Error 25.	Dashes shown in incline window. Incline is disabled.	Contact service technician.
27: Low Battery	Battery voltage is reported to be below the limit of 10.7v DC and the controller has issued the low battery warning.	Dashes shown in incline window. Incline is disabled.	Further use will re-charge the battery and the error condition will be cleared automatically.

Rechargeable Battery

The unit is designed with a 12 volt Lead-Acid rechargeable battery. The battery will recharge during regular operation of unit or when the optional power adapter is plugged in.

The display will indicate dashes in the incline display if the battery fails to provide enough energy. The unit will still function normally other than the disabling of the incline feature.

If the battery is completely discharged, the workout review will also be truncated if the user is not striding during the time period. See **Customer Service** for contact information to replace the battery or purchase the optional AC adapter kit.



WARNING: Battery replacement shall be performed by qualified service technician.

Remove battery and dispose of safely before unit disposal.

Environment

Humidity and Static Electricity

The unit is designed to function normally in an environment with a relative humidity range of 30% to 75%. The unit can be shipped and stored in a relative humidity range of 10% to 90%.

Climatic dry air may cause static electricity. During workout, user may experience a shock due to build-up of static electricity on the body and the discharge path of the unit. If static electricity is experienced, increase humidity to a comfortable level through the use of a humidifier.

NOTE: Do not install, use or store the unit in an area of high humidity, such as in the vicinity of a steam room, sauna, indoor pool or outdoors. Exposure to extensive water vapor, chlorine and/or bromine could adversely affect the electronics as well as other parts of the unit.

Temperature

The unit is designed to function normally in an environment with an ambient temperature range of 50° F (10° C) to 104° F (40° C). The unit can be shipped and stored in an environment with an ambient temperature range of 32° F (0° C) to 140° F (60° C).

Customer Service

Product Registration

To register product do the following:

1. Visit www.cybexintl.com.
2. Locate Product Registration in the Support section.
3. Fill out form completely.
4. Click the Submit button to register product.

Contacting Service

Hours of phone service are Monday through Friday from 8:30 a.m. to 6:00 p.m. Eastern Standard Time.

For Cybex customers living in the USA, contact Cybex Customer Service at 888-462-9239.

For Cybex customers living outside the USA, contact Cybex Customer Service at 508-533-4300 or fax 508-533-5183.

Find information on the web at www.cybexintl.com or e-mail at techhelp@cybexintl.com.

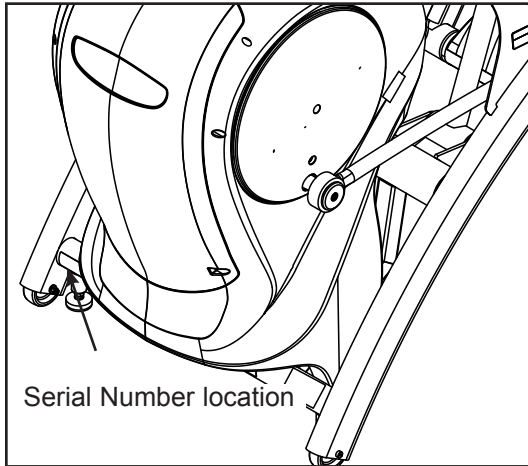
The following information located on the serial number decal will assist our Cybex representatives in serving you.

Serial Number


The serial number is located on the unit as shown below.

Record serial number below for reference when calling Cybex Customer Service.

Serial Number _____



- Unit Serial Number, Product Name and Model Number

 Made in U.S.A. MODEL# 8810-90 SERIAL# XXXXXXXXXXXXXXXX 1975 24th Ave SW Owatonna, MN. 55060 1-888-462-9239	This product may be produced under one or more of the following patents 5,628,715 5,643,152 5,616,107 5,722,921 5,620,402 6,488,612 6,743,158 7,179,209 7,335,139 7,338,415 7,503,882 D480,773 D481,428 D486,535 D490,127 D490,128 D490,865 D491,237 D491,238 D497,190 6,033,350 7,727,128 7,717,831
----------------------------------------------------------------------------------------------------------------------------------------------------------------------------------------------------------------	------------------------------------------------------------------------------------------------------------------------------------------------------------------------------------------------------------------------------------------------------------------------------------------------------------------------------

- Part Description and Part Number if you have it. All parts can be found on the web at www.cybexintl.com
- Shipping Address
- Contact Name

In addition to your shipping address and contact name, your account number is helpful but not required. You may also fax orders to 508-533-5183.

Ordering Parts

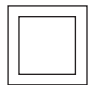
To order parts online go to www.cybexintl.com. Select Support > Parts / Ordering. In the left navigation panel, click Parts Diagrams - Current Products. Select from the drop down boxes.

To speak with a customer service representative, call 888-462-9239 (for customers living within the USA) or 508-533-4300 (for customers outside the USA). You may also contact us through e-mail at techhelp@cybexintl.com.

Servicing of Double-Insulated Products

In a double-insulated product, two systems of insulation are provided instead of grounding. No grounding means is provided on a double-insulated product, nor should a means for grounding be added to the product.

Servicing a double-insulated product requires extreme care and knowledge of the system, and should be done only by qualified service personnel. Replacement parts for a double-insulated product must be identical to the parts they replace. A double-insulated product is marked with the words "DOUBLE INSULATION" or "DOUBLE INSULATED." The symbol (square within a square) may also be marked on the product.

Symbol	Description
	Double-Insulated symbol

Return Material Authorization (RMA)

The Return Material Authorization (RMA) system is used when returning material for placement, repair or credit. The system assures that returned materials are properly handled and analyzed. Follow the following procedures carefully.

Contact your authorized Cybex dealer on all warranty-related matters. Your local Cybex dealer will request a RMA from Cybex, if applicable. Under no circumstances will defective parts or equipment be accepted by Cybex without proper RMA and an Automated Return Service (ARS) label.

Call the Customer Service Hot Line 888-462-9239 for the return of any item that is defective.

Provide the technician with a detailed description of the problem you are having or the defect in the item you wish to return. Provide the model and serial number of your Cybex equipment.

At Cybex's discretion, the technician may request that you return the problem part(s) to Cybex for evaluation and repair or replacement. The technician will assign you a RMA number and will send you an ARS label. The ARS label and the RMA numbers must be clearly displayed on the outside of the package that contains the item(s) to be returned. Include the description of the problem, the serial number of the equipment and the name and address of the owner in the package along with the part(s).

Forward the package through UPS to Cybex.
Attn: Customer Service Department
Cybex International, Inc.
1975 24th Ave SW
Owatonna, MN 55060

Merchandise returned without an RMA number on the outside of the package or shipments sent COD will not be accepted by the Cybex receiving department.

Damaged Parts

Materials damaged in shipment should not be returned for credit. Shipping damages are the responsibility of the carrier (UPS, Federal Express, trucking companies, etc.)

Apparent Damage

Upon receipt of your shipment, check all items carefully. Any damage seen with a visual check must be noted on the freight bill and signed by the carrier's agent. Failure to do so will result in the carriers refusal to honor your damage claim. The carrier will provide you with the required forms for filing such claims.

Concealed Damage

Damage not seen with a visual check upon receipt of a shipment but notices later must be reported to the carrier as soon as possible. Upon discovery of the damage, a written or phone request to the carrier asking them to perform an inspection of the materials must be made within ten days of the delivery date. Keep all shipping containers and packing materials as they will be needed in the inspection process. The carrier will provide you with an inspection report and the necessary forms for filing a concealed damage claim. Concealed damage claim is the carrier's responsibility.



10 Trotter Drive Medway, MA 02053 • 508-533-4300 • FAX 508-533-5183
www.cybexintl.com • techhelp@cybexintl.com