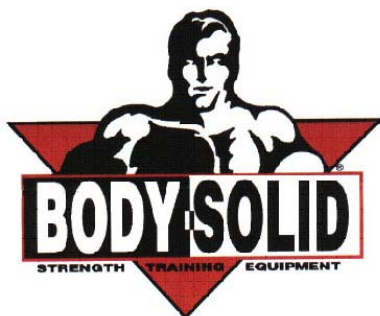
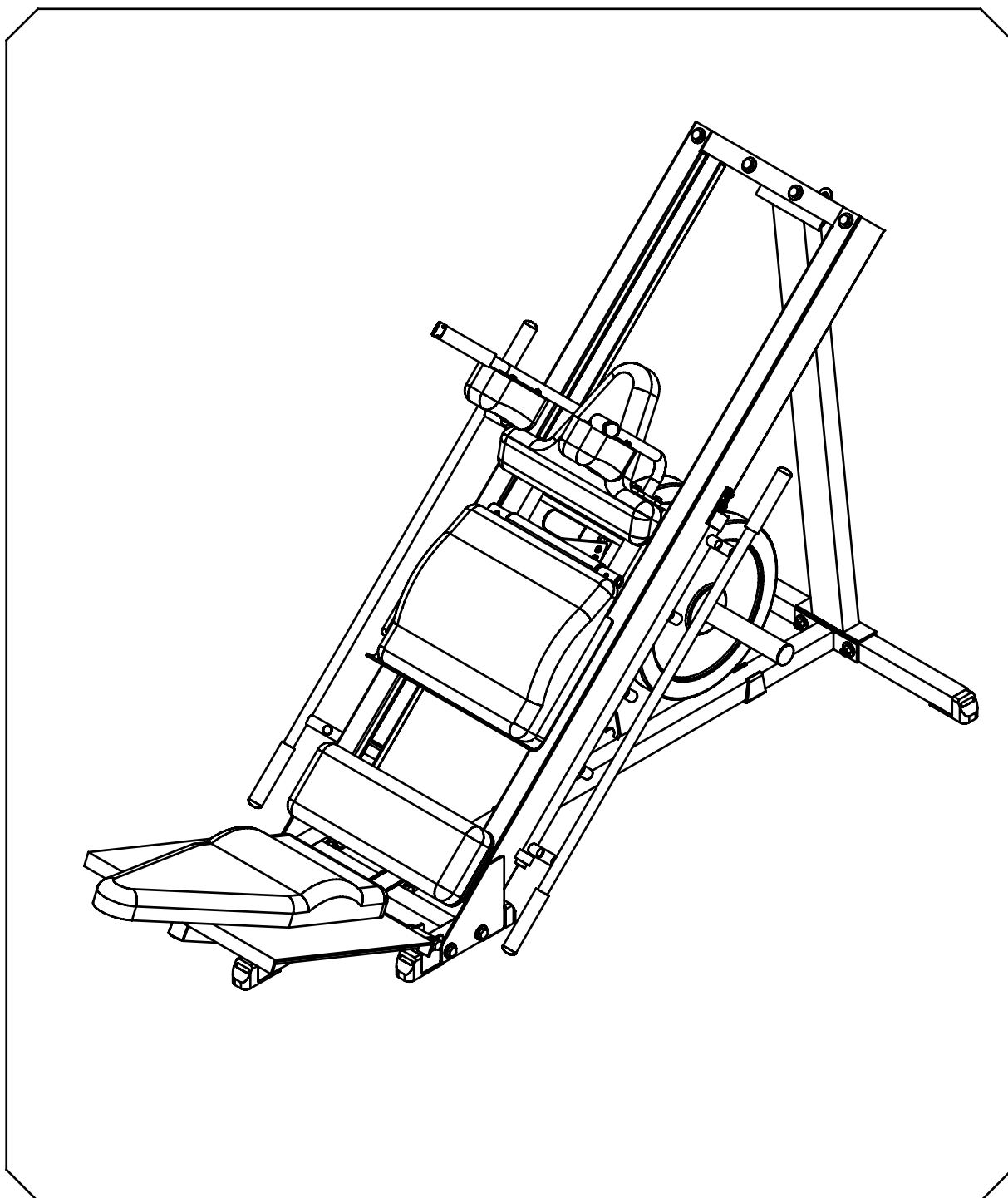


Body-Solid

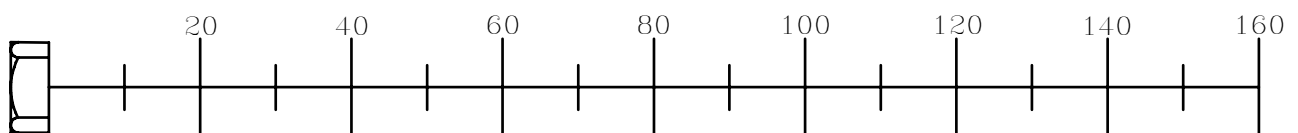
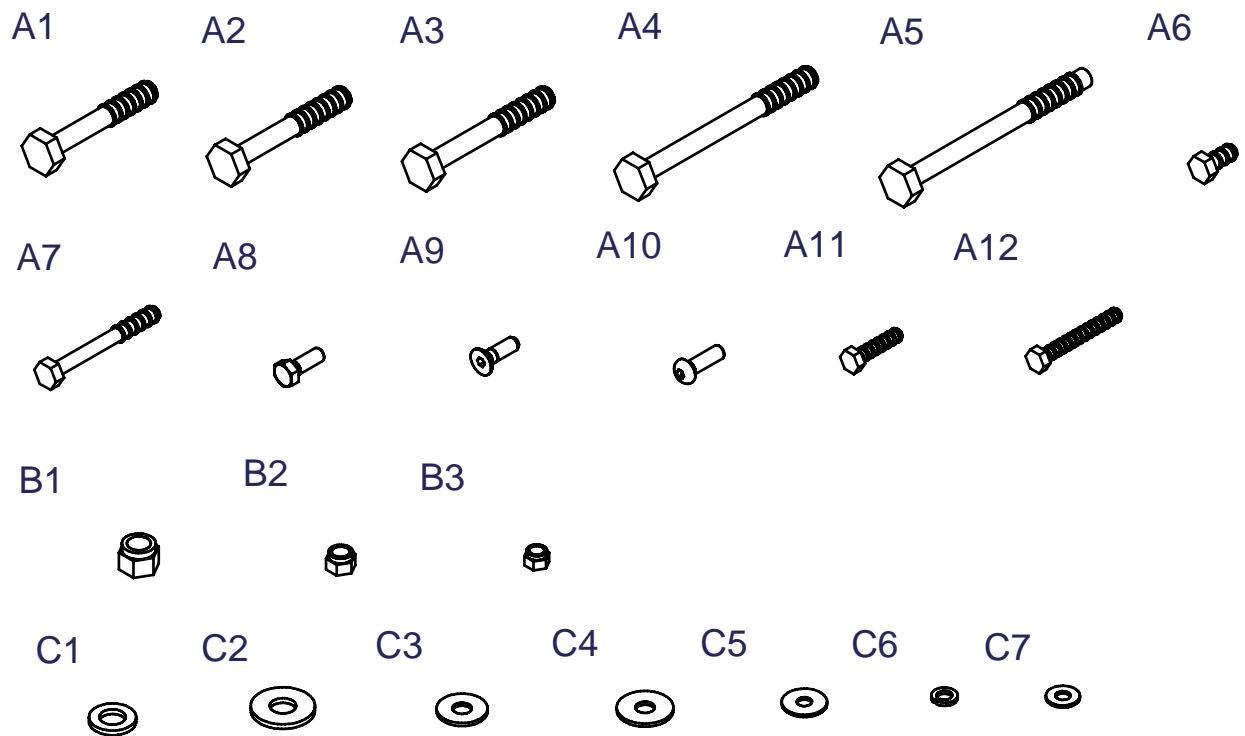


BODY-SOLID, Inc.
1900 S. Des Plaines Ave.
Forest Park, IL 60130 USA
Phone: (708) 427-3555
Fax: (708) 427-3556
www.bodysolid.com

GLPH-1100.2 OWNER'S MANUAL

HARDWARE ILLUSTRATION

A1. M12X75L Hex Head Bolt-----	[4PCS]
A2. M12X80L Hex Head Bolt-----	[6PCS]
A3. M12X90L Hex Head Bolt-----	[4PCS]
A4. M12X125L Hex Head Bolt-----	[3PCS]
A5. M12X135L Hex Head Bolt-----	[2PCS]
A6. M10X20L Hex Head Bolt -----	[2PCS]
A7. M10X75L Hex Head Bolt-----	[4PCS]
A8. M8X20L Hex Head Bolt -----	[4PCS]
A9. 5/16"X1" Co.Noid Head Bolt -----	[4PCS]
A10. 5/16"X1" Round Bolt -----	[13PCS]
A11. 5/16"X1 1/4" Hex Head Bolt -----	[2PCS]
A12. 5/16"X2 1/4" Hex Head Bolt -----	[2PCS]
B1. M12 Nylon Lock Nut -----	[19PCS]
B2. M10 Nylon Lock Nut-----	[4PCS]
B3. M8 Nylon Lock Nut -----	[4PCS]
C1. M12 (I.D.) Washer(Ø25) -----	[8PCS]
C2. M12 (I.D.) Washer(Ø34)-----	[30PCS]
C3. M8 (I.D.) Washer(Ø27) -----	[8PCS]
C4. M10 (I.D.) Washer(Ø27) -----	[10PCS]
C5. M8 (I.D.) Washer(Ø24) -----	[17PCS]
C6. M8 Spring Washer -----	[17PCS]
C7. M8 (I.D.)Washer(Ø18)-----	[8PCS]



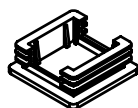
HARDWARE ILLUSTRATION

D1. 45X45 End Cap(9211-091)	-----	[2PCS]
D2. 2"X2" End Cap(9211-006)	-----	[3PCS]
D3. 2"X2" End Cap(9211-087)	-----	[4PCS]
D4. Ø50 Round End Cap(9211-020)	-----	[2PCS]
D5. 2"X2"L Foot Cap(9211-024)	-----	[7PCS]
D6. Ø20 Round End Cap(9211-036)	-----	[8PCS]
D7. 2"x2" Rubber Dount (9212-010)	-----	[2PCS]
D8. 38X75L Rubber Pad(9310-002)	-----	[2PCS]
D9. 38X325L Rubber Pad(9310-042)	-----	[1PCS]
D10. Ø1"x2.5t Round End Cap(9260-021)	-----	[4PCS]
D11. 38X38 End Cap(9211-003)	-----	[4PCS]
D12. 25X50 End Cap (9211-009)	-----	[2PCS]

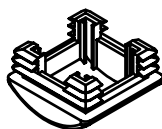
D1



D2



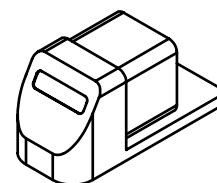
D3



D4



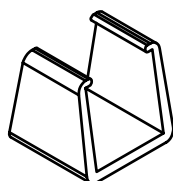
D5



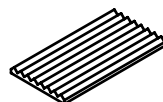
D6



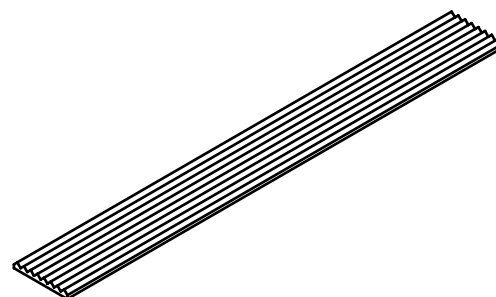
D7



D8



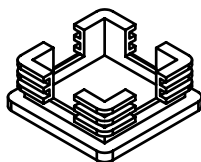
D9



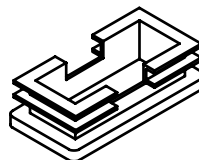
D10



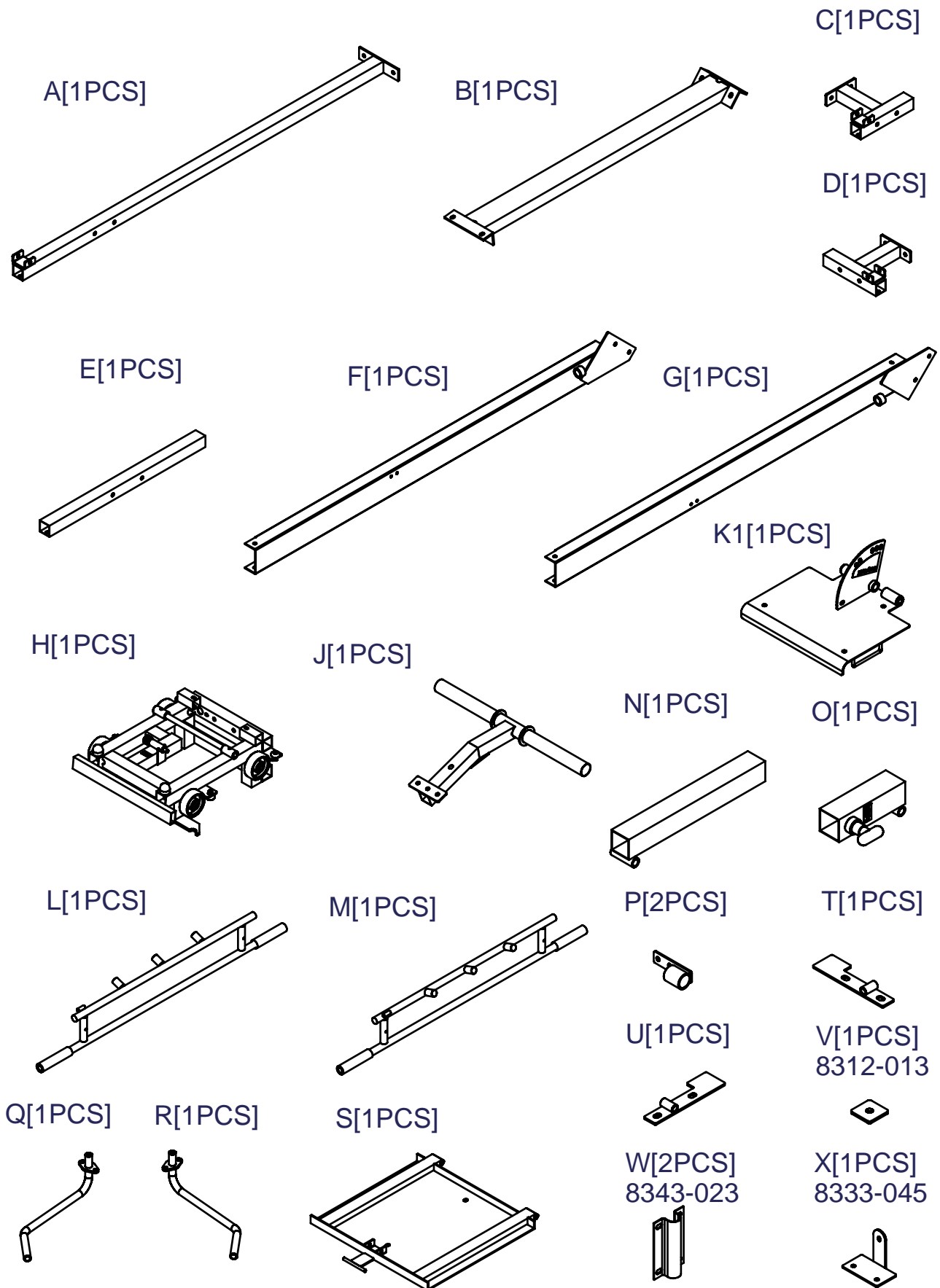
D11



D12

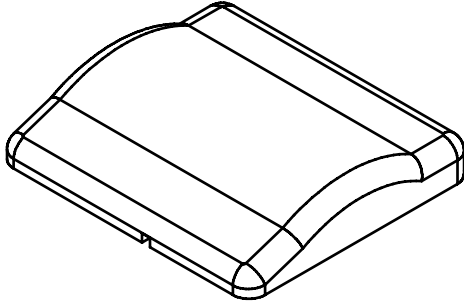


PARTS ILLUSTRATION SHEET

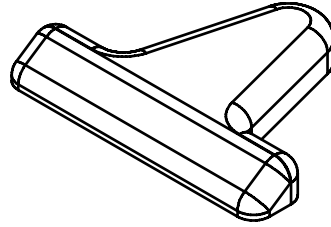


PARTS ILLUSTRATION SHEET

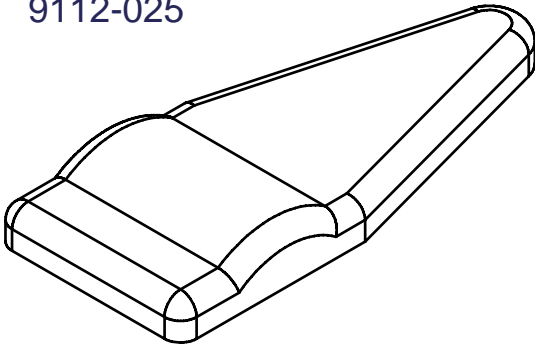
Y[1PCS]
9112-026A



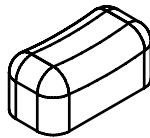
Z[1PCS]
9132-016



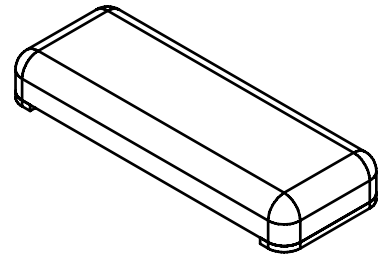
AA[1PCS]
9112-025



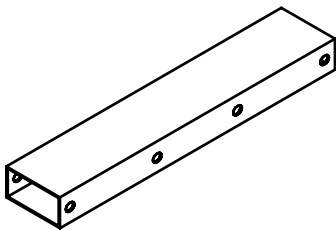
AB[2PCS]
9132-002



AC[1PCS]
9122-031

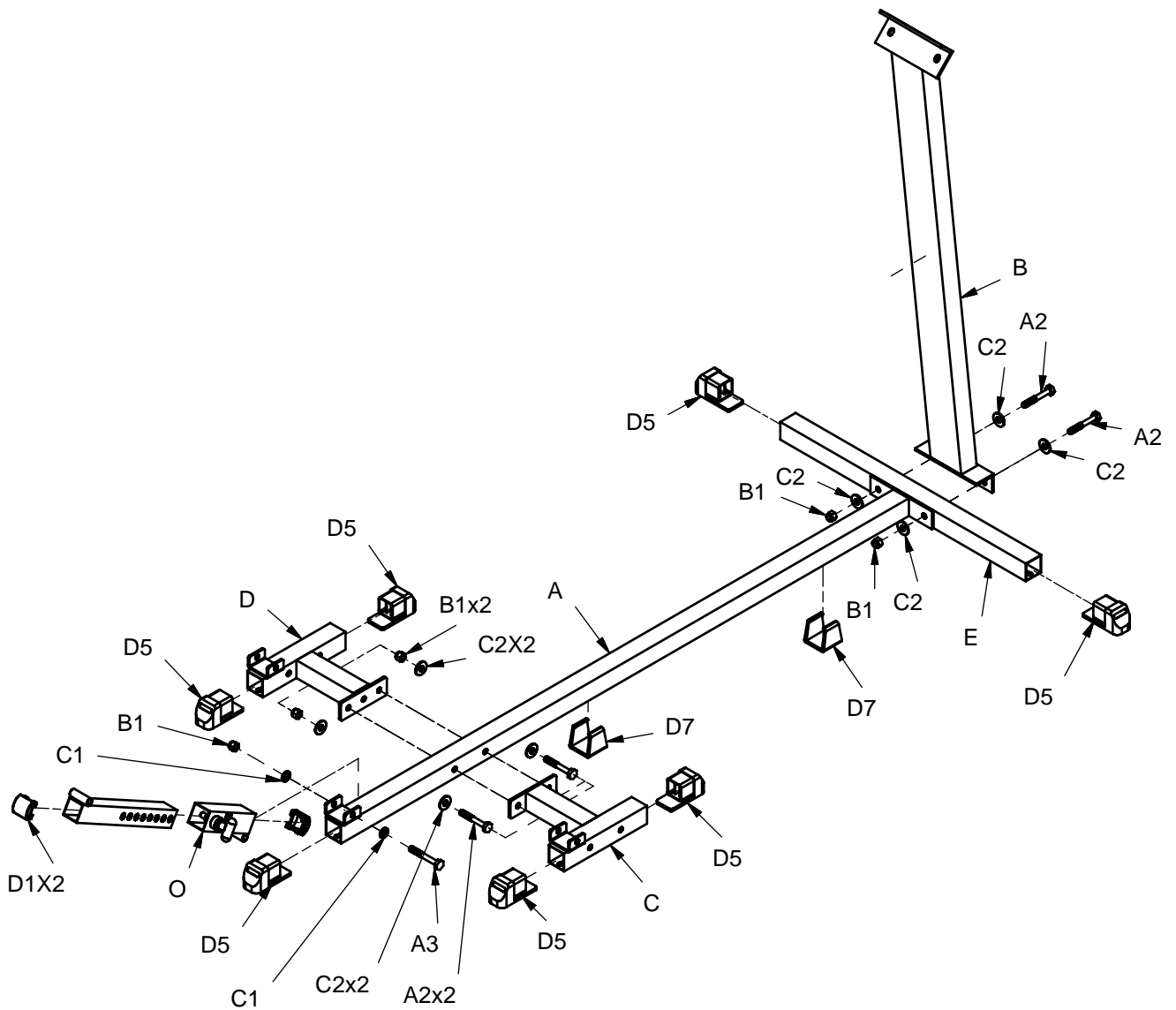


AD[1PCS]

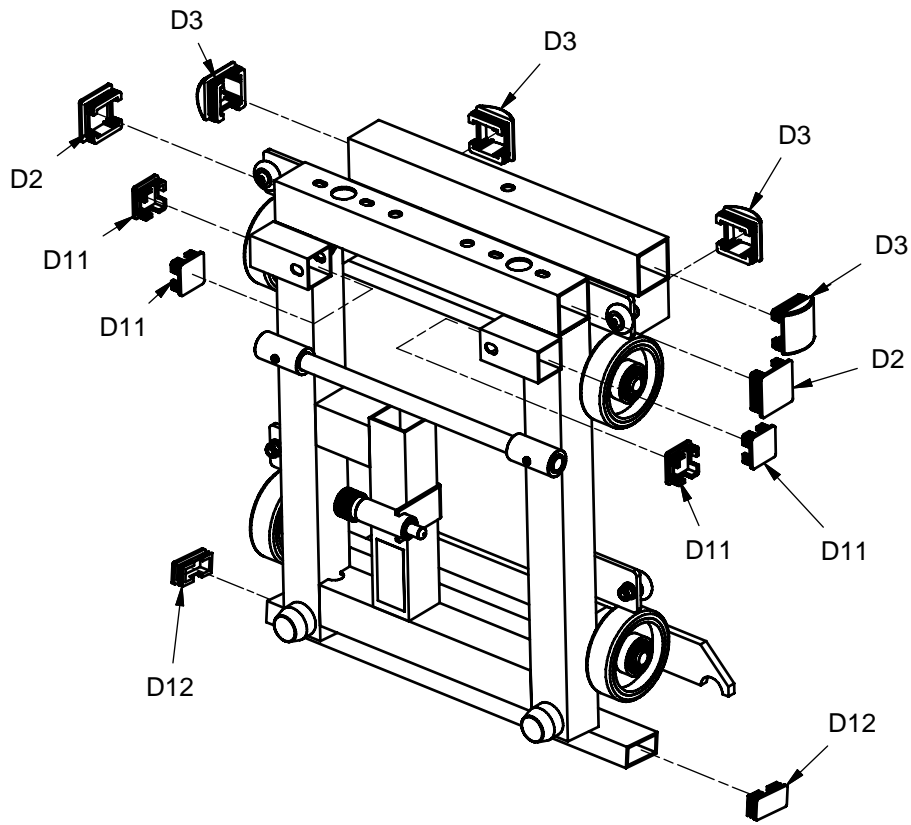


GLPH-1100 ASSEMBLY INSTRUCTIONS

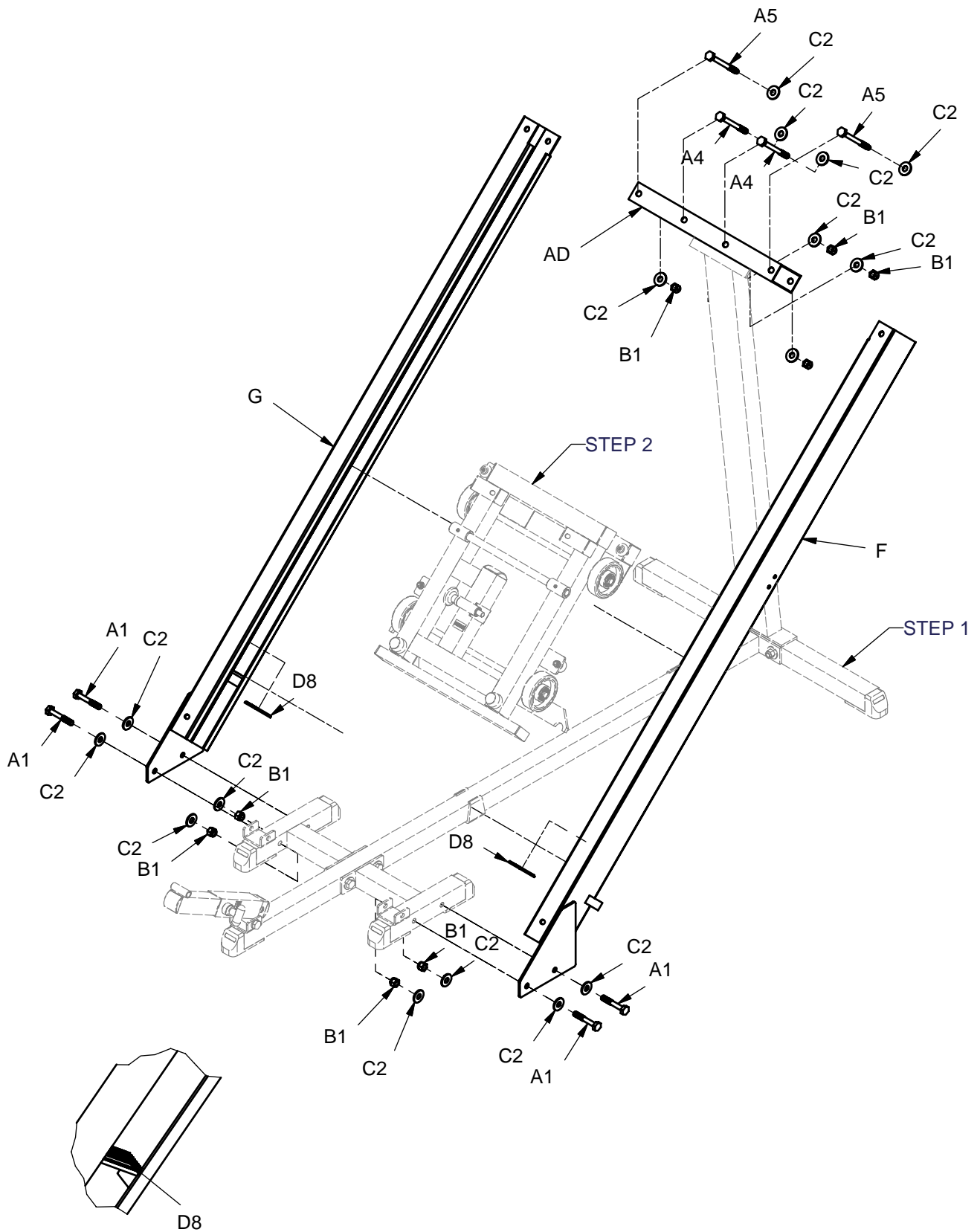
ASSEMBLY STEP 1



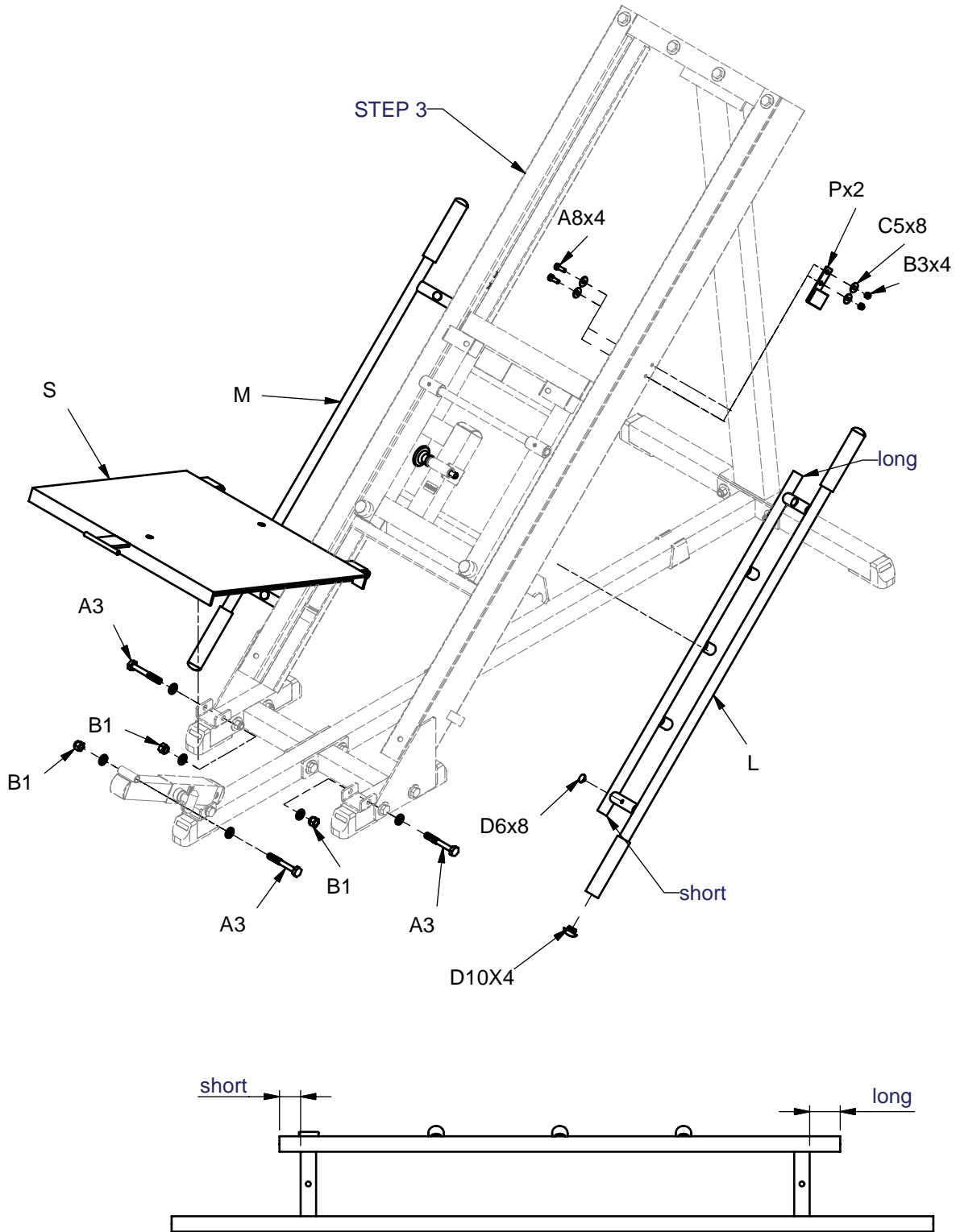
ASSEMBLY STEP 2



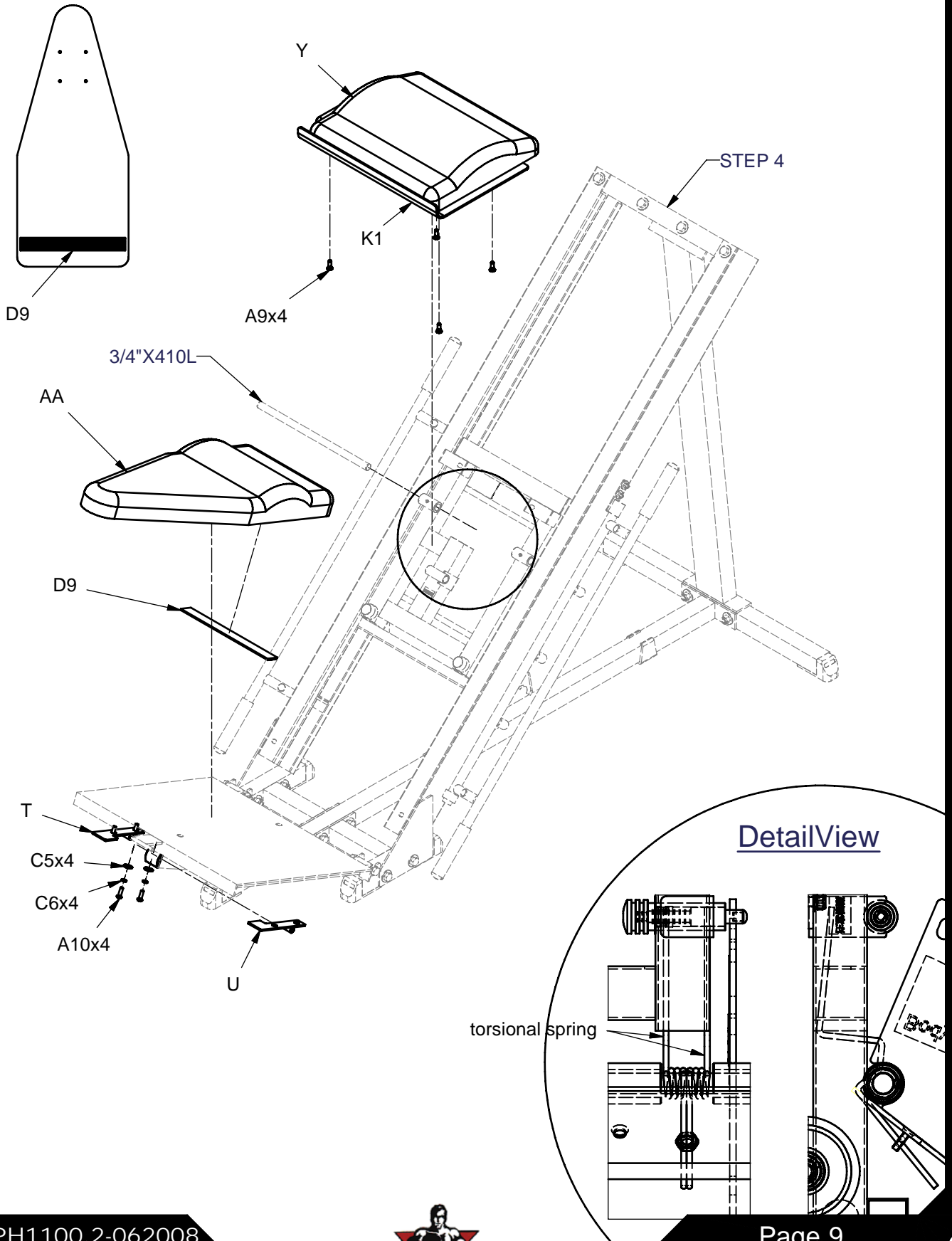
ASSEMBLY STEP 3



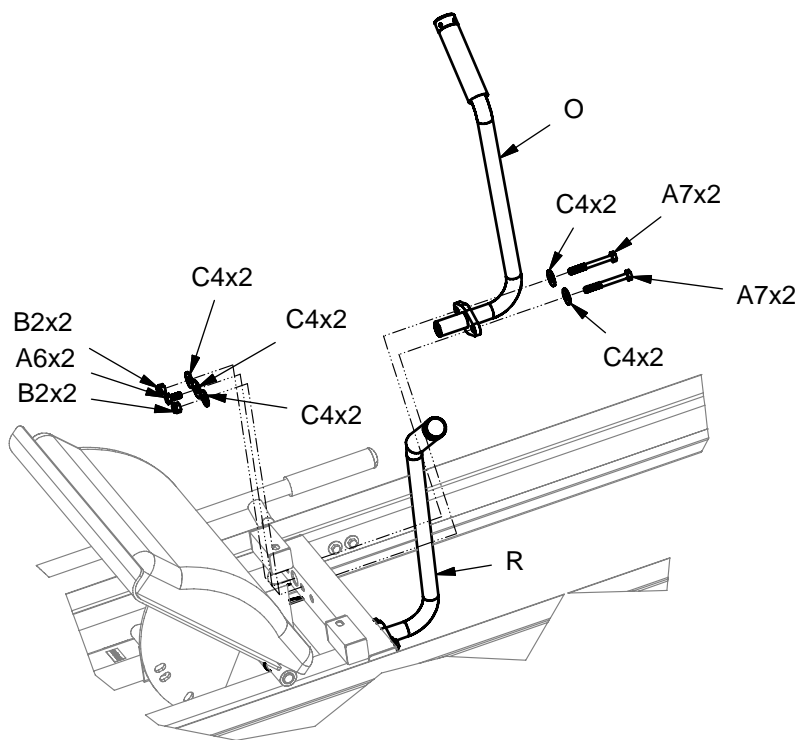
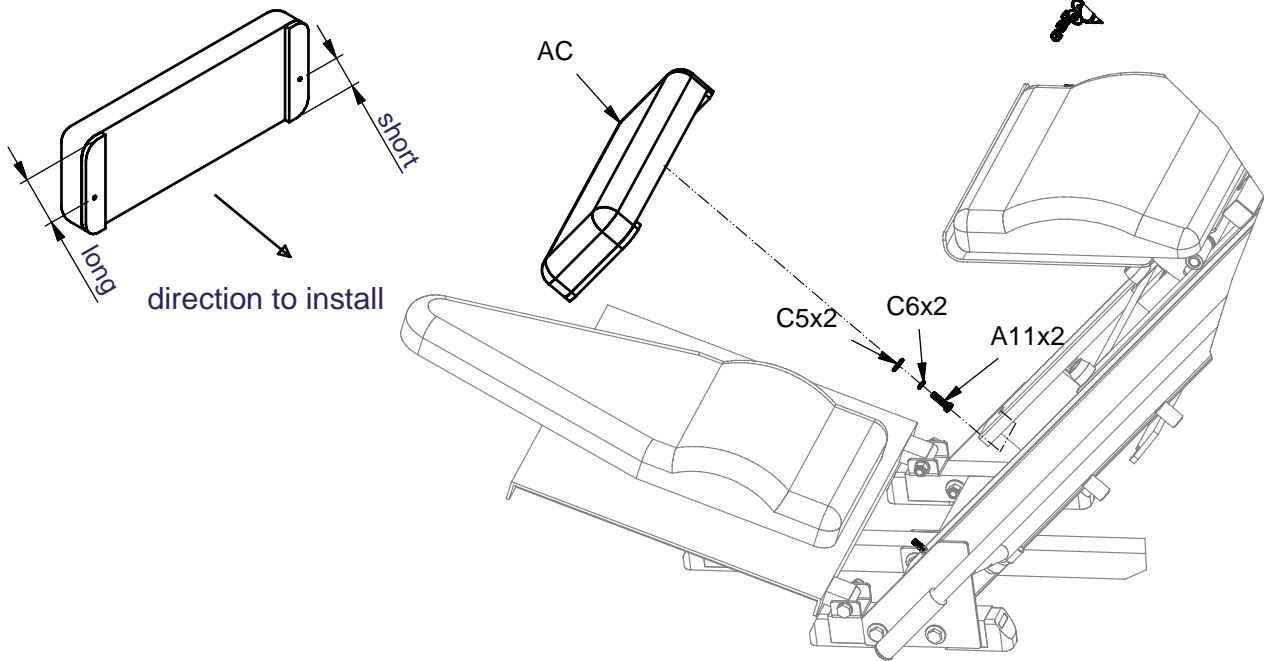
ASSEMBLY STEP 4



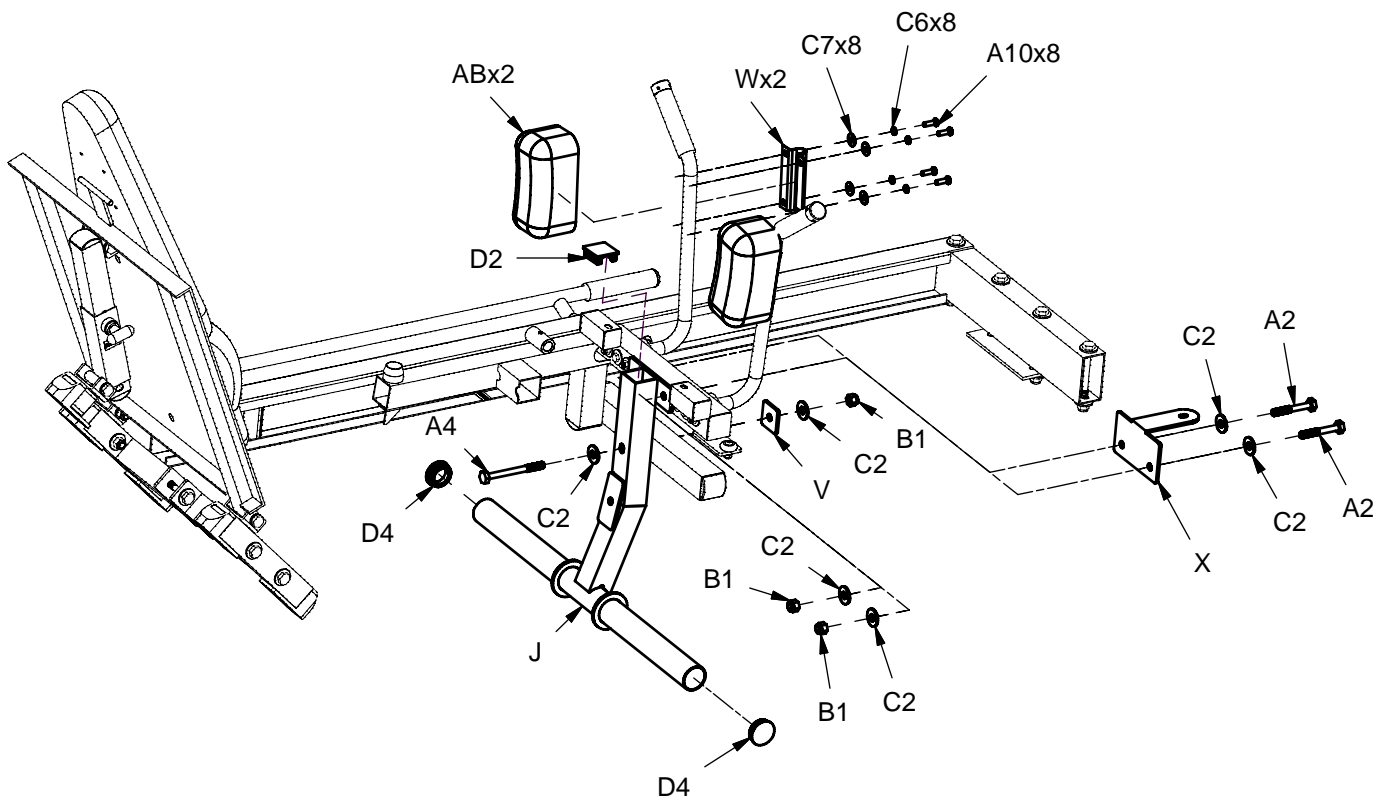
ASSEMBLY STEP 5



ASSEMBLY STEP 6

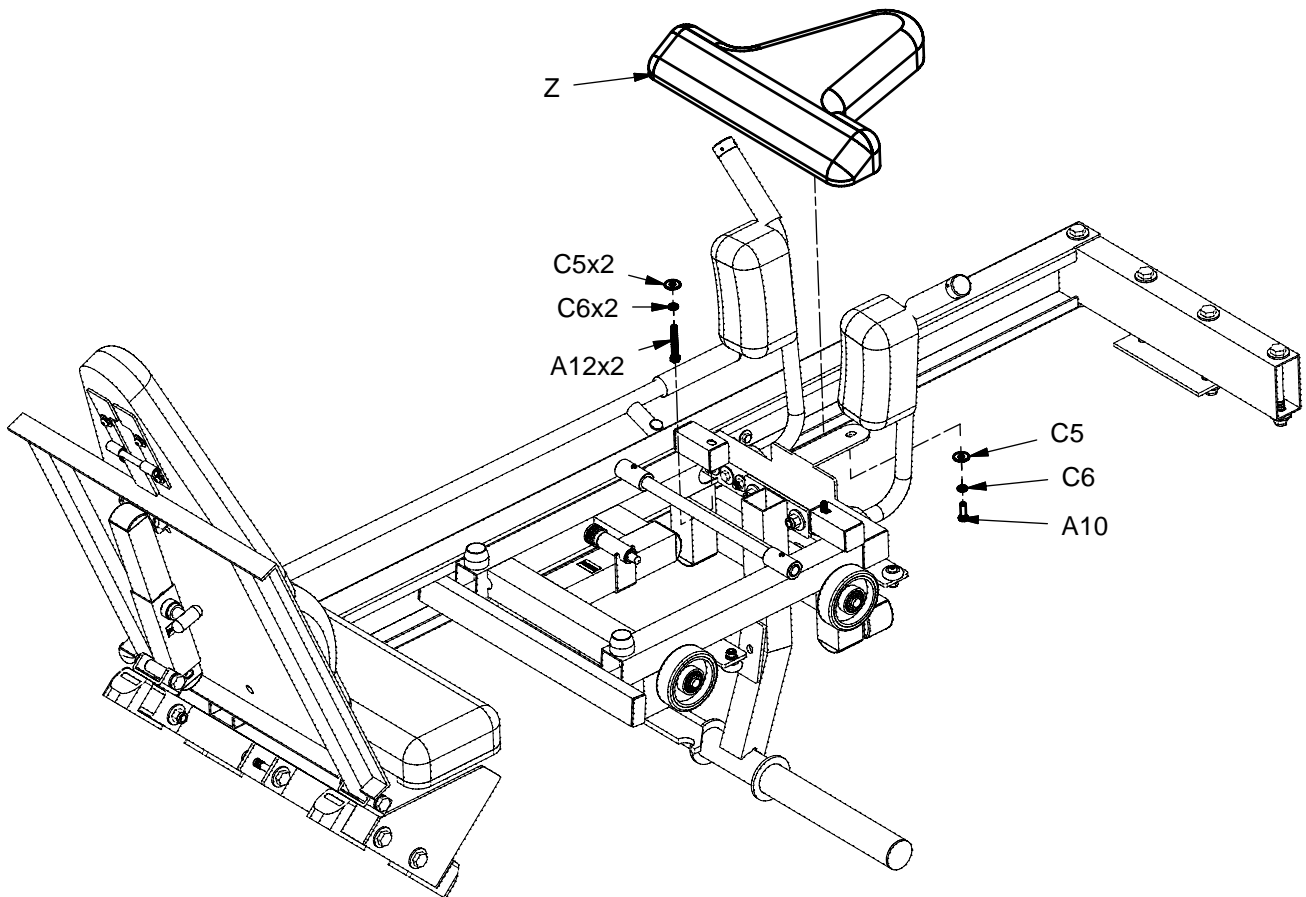


ASSEMBLY STEP 7



Section View

ASSEMBLY STEP 8



Section View